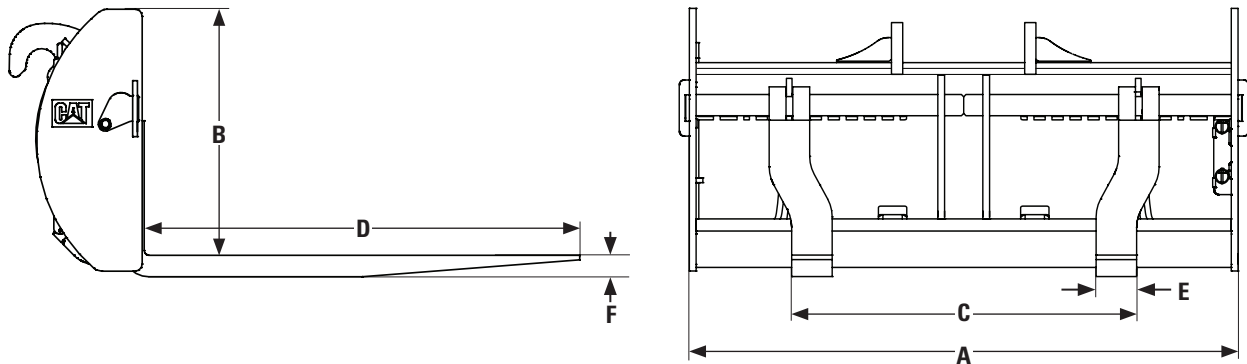




Cat[®] Pallet Forks

950–980 WHEEL LOADERS

Fusion™ Pallet Forks have an open frame design and offset tines. Forks can be configured to allow the tines to either swing or stay in a fixed position.



(B) Carriage Height	(C) Width Over Tines		(D) Tine Length	(E) Tine Width	(F) Tine Thickness	Per Tine Load Capacity at Load Center	Fork Weight
	Max	Min					
mm (in)	mm (in)	mm (in)	mm (in)	mm (in)	mm (in)	kg (lb)	kg (lb)

Fusion™

96" Carriage (A)

1,040 (41)	2,178 (86)	574 (23)	1,524 (60)	180 (7.0)	90 (3.5)	8,900 (19,621)	1,323 (2,917)
1,040 (41)	2,178 (86)	574 (23)	1,829 (72)	180 (7.0)	90 (3.5)	7,400 (16,314)	1,385 (3,054)
1,040 (41)	2,178 (86)	574 (23)	2,134 (84)	180 (7.0)	90 (3.5)	6,350 (13,999)	1,448 (3,193)
1,040 (41)	2,178 (86)	574 (23)	2,438 (96)	180 (7.0)	90 (3.5)	5,650 (12,456)	1,510 (3,330)

108" Carriage (A)

1,040 (41)	2,483 (98)	590 (24)	1,524 (60)	180 (7.0)	90 (3.5)	8,900 (19,621)	1,373 (3,027)
1,040 (41)	2,483 (98)	590 (24)	1,829 (72)	180 (7.0)	90 (3.5)	7,400 (16,314)	1,435 (3,164)
1,040 (41)	2,483 (98)	590 (24)	2,134 (84)	180 (7.0)	90 (3.5)	6,350 (13,999)	1,497 (3,300)
1,040 (41)	2,483 (98)	590 (24)	2,438 (96)	180 (7.0)	90 (3.5)	5,650 (12,456)	1,560 (3,439)

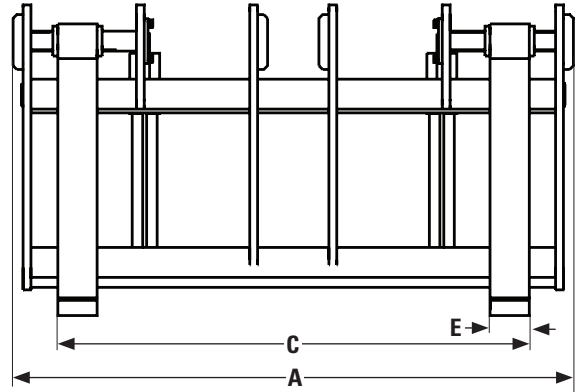
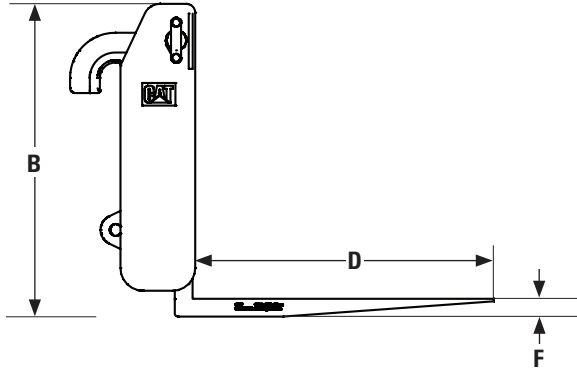


Americas North



Cat Pallet Forks

Horizontal pin lock coupler pallet forks have swinging, non-floating tines.



(A) Fork Width	(B) Fork Height	(C) Width Over Tines		(D) Tine Length	(E) Tine Width	(F) Tine Thickness	Per Tine Load Capacity at Load Center	Fork Weight
		Max	Min					
mm (in)	mm (in)	mm (in)	mm (in)	mm (in)	mm (in)	mm (in)	kg (lb)	kg (lb)
HPL (Swinging, non-floating tines)								
2,848 (112)	1,581 (62)	2,670 (105.1)	1,995 (78.5)	1,829 (72)	203 (8.0)	89 (3.5)	7,382 (16,275)	2,059 (4,540)
2,848 (112)	1,581 (62)	2,670 (105.1)	2,013 (79.2)	2,134 (84)	212 (8.3)	90 (3.5)	6,328 (13,950)	2,093 (4,615)
2,848 (112)	1,581 (62)	2,670 (105.1)	1,995 (78.5)	2,438 (96)	203 (8.0)	89 (3.5)	5,534 (12,200)	2,127 (4,690)

For more complete information on Cat products, dealer services, and industry solutions, visit us on the web at www.cat.com

GEHQ0037 (02-14)

©2014 Caterpillar
All Rights Reserved

Materials and specifications are subject to change without notice. Featured machines in photos may include additional equipment. See your Cat dealer for available options.

CAT, CATERPILLAR, their respective logos, "Caterpillar Yellow," and the POWER EDGE trade dress, as well as corporate and product identity used herein, are trademarks of Caterpillar and may not be used without permission.

