



Cat[®] B Series Wheel Saws

SKID STEER LOADERS
MULTI TERRAIN LOADERS
COMPACT TRACK LOADERS
COMPACT WHEEL LOADERS

Cat[®] Wheel Saws are designed for high-performance trench cutting on a variety of hard or compact surfaces, such as asphalt, reinforced concrete and rocky or frozen ground.

Features:

Direct drive system

- Direct drive system features a hydraulic piston pump motor to ensure maximum cutting rate and wheel torque for optimal production performance and efficiency.

Hydraulic side-shift and depth control

- Hydraulic side-shift and depth control is standard on all models and is controlled from the operator's compartment. Hydraulic side-shift allows wheel positioning from center to the far right of center. This allows for cutting close to curbs, walls and other obstructions, and minimizes need to reposition the machine.

Trench cleaning device

- The trench cleaning device is hydraulically operated from the operator's compartment. The blade can be controlled up and down to remove spoil and ensure a clean trench.

Deflector plates

- Deflector plates remove spoil from the machine's path for smooth operation. Spoil can be discharged left, right, or on both sides of the wheel saw with installation of included blanking plates.

Bits

- Concrete bits are standard on all models. Optional all purpose conical bits are available for all Cat Wheel Saws for tarmac and asphalt applications. Extreme life bits are available for extreme duty Cat Wheel Saw applications.

Quick coupler

- Rugged, opposing edge design holds the work tool securely and allows the operator to quickly change from one high performance Cat Work Tool to another.

Max Pro Pressure Gauge

- Max Pro Pressure Gauge provides operator feedback to adjust speed for maximum productivity in changing material loads. Gauge displays planer performance in real-time conditions and is visible from the cab. Standard on XHP models.

Guide bar

- Optional guide bar allows operator to position wheel saw for a straight cut and aids in visibility.

Self standing

- Self standing frame design improves connection and parking.

B Series Wheel Saws

Compatibility

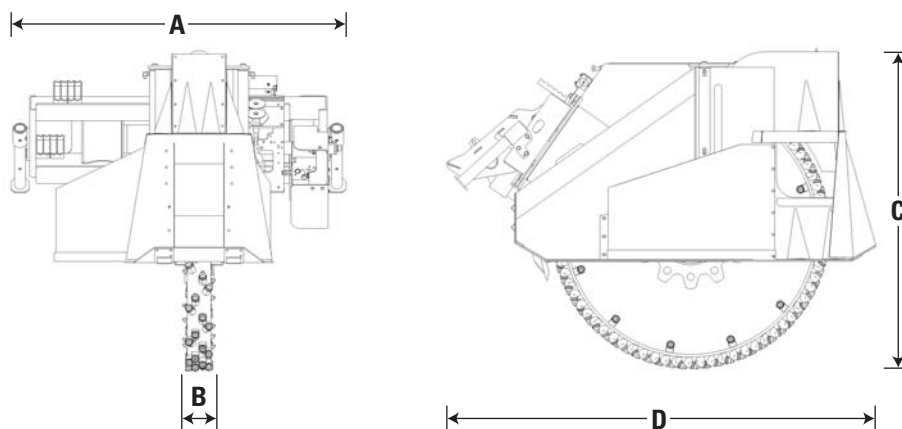
Model	Machines
SW345B* (80 mm/3 in)	239D, 246D, 249D, 257D, 259D, 262D, 272D2, 272D2 XHP, 277D, 279D, 287D, 289D, 297D2, 297D2 XHP, 299D2, 299D2 XHP, 906K, 907K, 908K, 906M, 907M, 908M
SW360B* (80 mm/3 in)	272D2, 272D2 XHP, 277D, 279D, 287D, 289D, 297D2, 297D2 XHP, 299D2, 299D2 XHP
SW360B* (160 mm/6 in)	262D, 272D2, 272D2 XHP, 277D, 279D, 287D, 289D, 297D2, 297D2 XHP, 299D2, 299D2 XHP
SW360B* (200 mm/8 in)	262D, 272D2, 272D2 XHP, 277D, 279D, 287D, 289D, 297D2, 297D2 XHP, 299D2, 299D2 XHP
SW380B* (250 mm/10 in)	272D2, 272D2 XHP, 277D, 279D, 287D, 289D, 297D2, 297D2 XHP, 299D2, 299D2 XHP
SW460B (80 mm/3 in)	272D2 XHP, 297D2 XHP, 299D2 XHP
SW460B (160 mm/6 in)	272D2 XHP, 297D2 XHP, 299D2 XHP
SW460B (200 mm/8 in)	272D2 XHP, 297D2 XHP, 299D2 XHP
SW480B (250 mm/10 in)	272D2 XHP, 297D2 XHP, 299D2 XHP

* Requires high flow or high flow XPS option on machine.

Lift restrictions may apply. Maximum machine counterweight may be required. Machine model availability and attachment vary by region. Please contact your local dealer for availability.



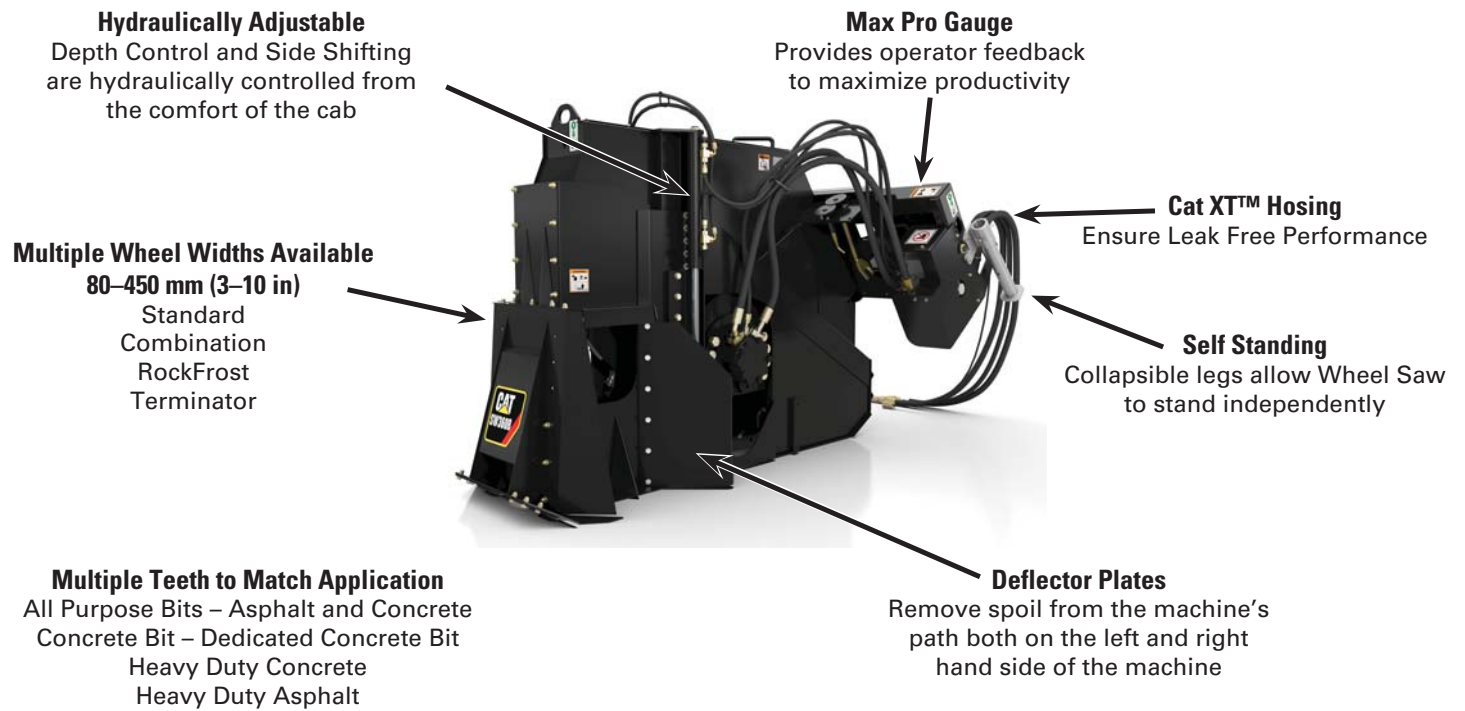
Specifications



			SW345B	SW360B	SW380B	SW460B	SW480B
A Overall width	mm (in)		1850 (73)	1850 (73)	1850 (73)	1850 (73)	1850 (73)
B Wheel width	mm (in)		80 (3)	80 (3) 160 (6) 200 (8)	250 (10)	80 (3) 160 (6) 200 (8)	250 (10)
C Overall height	mm (in)		1455 (57)	1765 (70)	1950 (77)	1765 (70)	1950 (77)
D Length	mm (in)		2165 (85)	2365 (93)	2490 (98)	2365 (93)	2490 (98)
Weight	kg (lb)		1156 (2,549)		1440 (3,175)		1440 (3,175)
80 mm (3 in)	kg (lb)			1470 (3,240)		1470 (3,240)	
160 mm (6 in)	kg (lb)			1365 (3,009)		1365 (3,009)	
200 mm (8 in)	kg (lb)			1395 (3,075)		1395 (3,075)	
Trench cleaning device			No		No		No
80 mm (3 in)				No		No	
160 mm (6 in)				Yes		Yes	
200 mm (8 in)				Yes		Yes	
Required hydraulic flow	L/min (gpm)		125 (33)	125 (33)	125 (33)	150 (40)	150 (40)
Optimal hydraulic pressure	bar (psi)		280 (4,065)	280 (4,065)	280 (4,065)	280 (4,065)	280 (4,065)
Wheel torque @ max pressure	N·m (lbf·ft)		6244 (4,604)	7509 (5,538)	7509 (5,538)	7509 (5,538)	7509 (5,538)
Wheel speed @ max flow	rpm		89	74	74	89	89
Bit speed @ max flow	mpm (fpm)		349 (1,143)	360 (1,180)	372 (1,228)	430 (1,420)	447 (1,476)
Conical bits			64/wheel		72/wheel		72/wheel
80 mm (3 in)				70/wheel		70/wheel	
160 mm (6 in)				96/wheel		96/wheel	
200 mm (8 in)				96/wheel		96/wheel	
Standard bit type			Concrete	Concrete	Concrete	Concrete	Concrete
Optional bit type			All purpose	All purpose	All purpose	All purpose	All purpose
Maximum depth of cut	mm (in)		450 (18)	600 (24)	800 (32)	600 (24)	800 (32)
Side-shift travel	mm (in)		550 (22)	550 (22)	550 (22)	550 (22)	550 (22)
Motor displacement	cm ³ /rev (in ³ /rev)		1404 (86)	1686 (103)	1686 (103)	1686 (103)	1686 (103)

* Theoretical values calculated at 100% efficiency.

B Series Wheel Saws



For more complete information on Cat products, dealer services, and industry solutions, visit us on the web at www.cat.com

© 2016 Caterpillar
All rights reserved

Materials and specifications are subject to change without notice. Featured machines in photos may include additional equipment. See your Cat dealer for available options.

CAT, CATERPILLAR, SAFETY.CAT.COM, their respective logos, "Caterpillar Yellow" and the "Power Edge" trade dress, as well as corporate and product identity used herein, are trademarks of Caterpillar and may not be used without permission.

AEHQ7142-01 (04-2016)
Replaces AEHQ7142

