

548 GF/548 LL

FOREST MACHINES



Engine Power (ISO 14396)
Operating Weight

205 kW (275 hp)
GF 37 800 kg (83,330 lb)
LL U/U 40 500 kg (89,290 lb)



CAT® 548

MAKE LOGGING SIMPLE,
SECURE, AND SATISFYING

For doing general forestry, processing, and log loading work, the next generation **Cat® 548** is simply the best choice in its size class. Its superior performance coupled with exceptional comfort and safety will help you produce extraordinary results.



GENERAL FORESTRY



LOG LOADER

NEXT GENERATION FOREST MACHINES

Cat® next generation forest machines offer you more value than ever for your business.

- + MORE PERFORMANCE
- + MORE COMFORT
- + MORE SAFETY

Simply put, Cat next generation forest machines help you move more timber to make more money.

DO MORE WORK WITH LESS COST

Increased power and efficiency coupled with decreased maintenance mean you will spend more time working instead of more money on fuel, filters, and service.

IMPROVE PRODUCTION¹

Move heavy logs confidently with 30% more engine power and 30% more swing power. Heavy lift mode gives you a boost for big timber; larger boom cylinders on the Log Loader give you even more lifting power. Plus 10% more travel speed will help get you to work faster than ever.

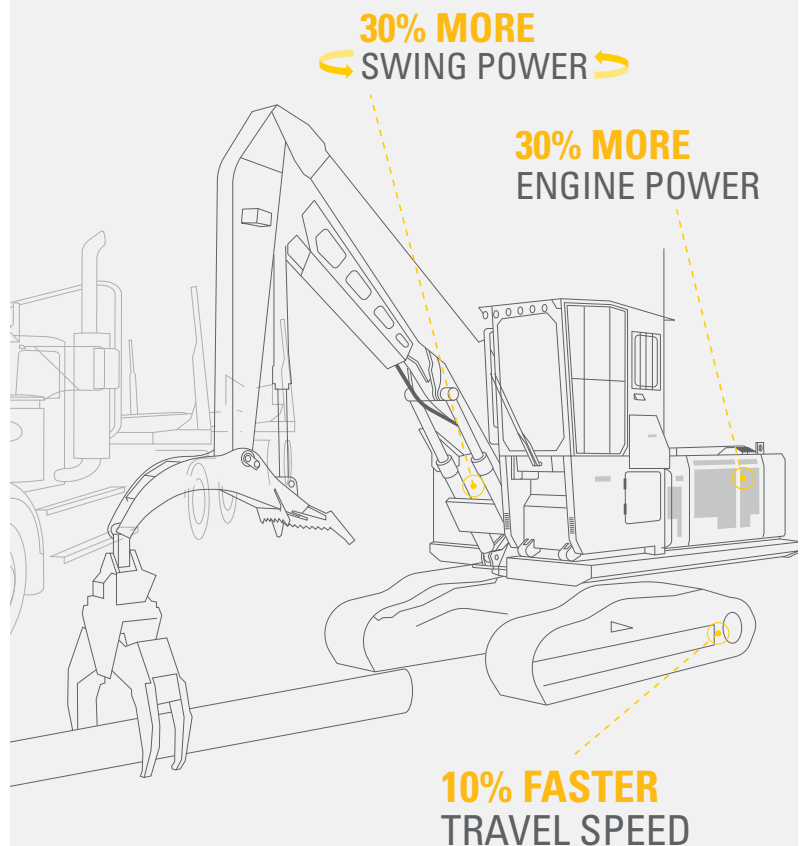
GET BEST-IN-CLASS COMFORT AND SAFETY¹

The Certified Forestry's cab's 25% greater cab volume and 50% improved operator visibility provide the support and security you need to confidently take on tough tree-moving work.

LOWER MAINTENANCE COSTS^{1&2}

Experience increased uptime and up to 15% lower costs with new longer life fuel and hydraulic oil filters. Fuel filters have double the life of the previous filters, and the hydraulic oil return filter provides 50% more service life.

GET MORE WORK DONE



¹ Compared to 2020 548.

² Cost reduction based on 12,000 hours of operation.

CHOICES FOR YOUR UNIQUE WORK

GENERAL FORESTRY AND LOG LOADER

The General Forestry model is ideal for road work, grappling, processing, and delimiting. The Log Loader model is the right choice for shovel logging, log loading, Butt-n-Top, Power Clam, and millyard applications.



GENERAL FORESTRY

- + With a reach boom and quick coupler, you can equip the 548 with a processor, bucket, thumb, mulcher, and other attachments to get work done quickly and efficiently.
- + A frontless option allows you to customize the machine for your more unique applications.

LOG LOADER

- + An undermounted heel cylinder provides maximum force for shovel logging with a Cat grapple. A variable displacement pump delivers high-flow rotating capability for heel and log grapples as well as Power Clam and Butt-n-Top grapples.
- + An overmounted heel cylinder provides maximum clearance to load trucks and increases lift height for millyard applications.





COUNT ON

RELIABILITY AND DURABILITY

YOU CAN TRUST CATERPILLAR'S TIME-PROVEN ENGINEERING AND MANUFACTURING KNOW-HOW FOR EXCELLENT RELIABILITY AND DURABILITY. WITH EASY-TO-DO MAINTENANCE, ALL YOU HAVE TO DO IS PUSH THE START BUTTON AND GO TO WORK.

In addition to reinforced booms and sticks, a huge difference in overall Cat machine durability is the undercarriage. It is the link between the ground and upper body and absorbs many of the stresses between them. That's why we put so much effort into making ours better than competitors, starting with High Wide undercarriage to make traveling over stump-laden forests trouble free. In fact, the 548 undercarriage is built with many heavy-duty reinforcements.

- + HEAVY-DUTY TRACK ROLLERS
- + HEAVY-DUTY TRACK LINK
- + HEAVY-DUTY FINAL DRIVES
- + HEAVY-DUTY TRAVEL MOTOR GUARDS
- + HEAVY-DUTY RECOIL SPRINGS
- + HEAVY-DUTY SWIVEL AND SWIVEL GUARD





CAB TAKES

THE HARD OUT OF WORK

SITES WHERE THE 548 TYPICALLY WORK ARE RUGGED AND CHALLENGING. THAT'S WHY IT'S IMPORTANT THAT THE CAB KEEPS THE OPERATOR COMFORTABLE AND PROTECTED FROM FATIGUE, STRESSES, SOUNDS, AND OUTSIDE TEMPERATURES.

CERTIFIED FORESTRY

Available in a choice of either rear or side entry, the Certified Forestry Rollover Protective Structure (ROPS) cab is sound suppressed, sealed, and 25% larger than the previous series' cab with a wider and taller door. Larger windows and lower front profile give you up to 50% greater visibility to the work and surrounding jobsite. Available cab risers put you in an even better position for greater logging, roadbuilding, and millyard efficiency.

CLIMATE CONTROL

An all-new dual HVAC system keeps operators comfortable in either cold or warm weather. Other features include filtered positive ventilation and fresh air windows with guarding screens.

SEAT AND JOYSTICK CONSOLE

The wide seat is heated and cooled to make work pleasant in any weather. It's also fully adjustable to fit the needs of all types of operators. The tilt-up console on the side-entry cab makes getting in and out of the seat easier, and all controls are located in front of you to reduce back-stressing twisting and turning.

CONNECTIVITY AND STORAGE

Convenience features include Bluetooth® integrated radio, USB ports for charging and phone connectivity, 12V DC outlets and AUX port, cup and bottle holders, and storage in rear, overhead, and console compartments.



TOUCHSCREEN MONITOR

Most machine settings can be controlled through the high-resolution touchscreen monitor. It offers several languages and is easy to reach from the seat with no twisting or turning.

SMART MODE

Smart mode automatically adjusts engine and hydraulic power for the highest fuel efficiency – less power for tasks such as swinging and more power for lifting. Operators can set and store their power mode preference using Operator ID; owners can lock in the mode they want their operators to use to help manage fuel consumption.

CUSTOMIZABLE JOYSTICKS

Select joystick functions can be customized through the monitor. Joystick pattern as well as response can be set to match operator preference. All preferences are saved with Operator ID and restored at login. An optional auxiliary relay allows you to power on or turn off a CB radio or other attachment without taking your hands off the joysticks.

CAT STICK STEER

Make moving the machine much easier with optional Cat Stick Steer. Simply push a button and use one hand to travel and turn instead of both hands or feet on levers or pedals.

KEYLESS PUSH START

Keyless push-button engine start adds security by using Operator ID codes to limit and track machine access. Codes can be entered manually or via an optional Bluetooth key fob.

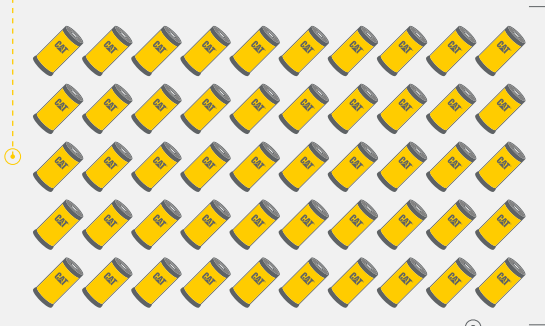


LOWER MAINTENANCE COSTS WITH MORE UPTIME



SAVE MONEY

THE NEXT GENERATION 548
CONSUMES **50 FEWER FILTERS***



FEWER FILTERS,
LONGER INTERVALS,
LESS COST,
MORE PRODUCTIVITY

***COMPARED TO PREVIOUS 548 OVER 12,000 HOURS**

The 548's extended and synchronized service intervals mean you'll be able to spend more time working and up to 15% less in maintenance costs than the previous model.

KEY MAINTENANCE COST REDUCTIONS INCLUDE:

- + New integrated vehicle health management system to alert the operator with step-by-step guidance along with parts needed to reduce downtime
- + Consolidated filter locations and grease points to reduce service time
- + Hydraulic return filter with 3,000 hour service life – 50% longer than the previous filter
- + Fuel filters with 1,000 hour service life – twice as long as the previous filters
- + New high-efficiency hydraulic fan with programmable automatic reverse function to help keep cores clean
- + Scheduled Oil Sampling (S-O-SSM) ports to enable quick extraction of fluid samples and more simplified maintenance

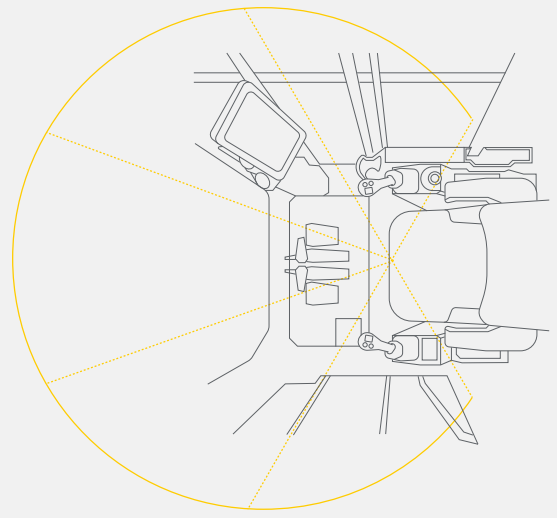


BUILT FOR
YOUR SAFETY AND OTHERS

Unique design, reinforced components, and special features and guards make the 548 safe, reliable, and durable.

- + The standard ROPS cab has a larger 32 mm (1¼") polycarbonate front window, smaller cab pillars, and a flat engine hood to improve visibility by 50% over the previous series.
- + The available Cat easy lock system makes tilting the cab for transport simple and safe; a light option enhances visibility inside the entire riser compartment.
- + Left- and right-hand-side fuel locations make the machine easier to refill.
- + Wide track gauge and available slope and grade indicator on the monitor help enhance stability and lift.
- + Access most routine maintenance points at ground level. New right-hand steps provide safe and quick access to the upper service platform; the steps and service platform use anti-skid punch plate to prevent slipping.
- + Secure who can start the machine with Operator ID or use an optional Bluetooth key fob.
- + A standard rearview camera enhances jobsite visibility; an optional right-hand-sideview camera makes it even better.

50% GREATER VISIBILITY*



*CAT NEXT GENERATION 548 COMPARED TO PREVIOUS 548

MAKE MANAGING EQUIPMENT EASIER

Cat Equipment Management helps take the complexity out of overseeing your jobsites. How? By gathering data generated by your equipment, materials, and people and serving it up to you in customizable formats.



PRODUCT LINK™

Product Link™ collects data automatically and accurately from your assets. Information such as location, hours, fuel usage, idle time, maintenance alerts, diagnostic codes, and machine health can be viewed online through web and mobile applications.

VISIONLINK®

Access information anytime, anywhere with VisionLink® – use it to make informed decisions that boost productivity, lower costs, simplify maintenance, and improve safety and security on your jobsite. With different subscription level options, your Cat dealer can help you configure exactly what you need to connect your fleet and manage your business without paying for extras you don't want. Subscriptions are available with cellular or satellite reporting (or both).



Remote Services* is a suite of technologies that improve your jobsite efficiency.

Remote troubleshoot allows your Cat dealer to perform diagnostic testing on your connected machine remotely, pinpointing potential issues while the machine is in operation. Remote troubleshoot ensures the technician arrives with the correct parts and tools the first time, eliminating additional trips to save you time and money.

Remote flash updates on-board software without a technician being present, potentially reducing update time by as much as 50%. You can initiate the update when convenient, increasing your overall operating efficiency.

*Must be within cell range coverage.

INCREASE YOUR PRODUCTIVITY AND PROFIT WITH CAT ATTACHMENTS

Easily expand the performance of your machine by utilizing any of the variety of Cat attachments. Each Cat attachment is designed to fit the weight and horsepower of the Cat machine for improved performance, safety, and stability.



GRAPPLES

Cat log loading grapples are made with high-strength steel for maximum performance. They are ideal for picking and sorting, bunching and loading, and shoveling applications. Bolt-on access panels make them easier to service.



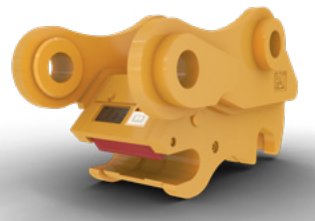
MULCHERS

Cat forestry mulchers make land clearing fast and safe. Staggered teeth quickly turn trees into mulch; a hydraulically controlled door lets the operator direct mulch flow to enhance jobsite safety.



BUCKETS

Cat buckets move material quickly and efficiently. Their unique design enables more efficient filling and better operator control, which improves overall productivity.



COUPLERS

Cat quick couplers allow you to change between tools in minutes, making the machine capable of doing a variety of money-making tasks.



ATTACHMENT TRACKING MADE EASY

The Cat PL161 attachment locator is a Bluetooth device that makes finding grapples, buckets, and other gear quick and easy. The excavator's onboard Bluetooth reader will locate the device automatically.



MORE THAN
MACHINES

When you buy Cat equipment, you're getting so much more than the machine. You're also getting the support of a best-in-class dealer network backed by a range of flexible solutions, technology, tools, and more. It's all about support that's built around your success.

- + Customer Value Agreements (CVA)
- + Cost-saving service and repair options
- + Quality parts and precision components
- + Financing solutions
- + Rental and used equipment



TECHNICAL SPECIFICATIONS

See cat.com for complete specifications.

| ENGINE | | | |
|--|--------------|----------------|--|
| Engine Model | Cat® C7.1TTA | | |
| Engine Power – ISO 9249:2007 | 202.4 kW | 271 hp | |
| Engine Power – ISO 14396:2002 | 205.0 kW | 275 hp | |
| Bore | 105 mm | 4.13 in | |
| Stroke | 135 mm | 5.31 in | |
| Displacement | 7.1 L | 433.3 in³ | |
| <ul style="list-style-type: none"> • Meets U.S. EPA Tier 4 Final, EU Stage V emission standards. • Power advertised is the power available at the flywheel when the engine is equipped with fan, air intake system, exhaust system, and alternator. • Rated speed at 1,900 rpm. | | | |
| DRIVE | | | |
| Maximum Travel Speed | 4.8 km/h | 3.0 mph | |
| Maximum Drawbar Pull | 295 kN | 66,319 lbf | |
| HYDRAULIC SYSTEM | | | |
| Main System – Maximum Flow – Implement | 502 L/min | 132.6 gal/min | |
| Maximum Pressure – Equipment – Implement | 35 000 kPa | 5,076 psi | |
| Maximum System Pressure – Heavy Lift Mode | 38 000 kPa | 5,511 psi | |
| Maximum Pressure – Travel | 35 000 kPa | 5,076 psi | |
| Maximum Pressure – Swing | 28 000 kPa | 4,061 psi | |
| SWING MECHANISM | | | |
| Swing Speed | 8.1 rpm | | |
| Maximum Swing Torque | 136 kN·m | 100,308 lbf·ft | |
| WEIGHTS | | | |
| Operating Weight – General Forestry | 37 800 kg | 83,300 lb | |
| <ul style="list-style-type: none"> • High Wide undercarriage, Reach boom, R2.95 m (9'8") Reach stick, 700 mm (28") double grouser shoes, no bucket. | | | |
| Operating Weight – Log Loader, Under/Under | 40 500 kg | 89,290 lb | |
| <ul style="list-style-type: none"> • High Wide undercarriage, Log Loader boom, 4.05 m (13'3") Over/Under stick with live heel, 700 mm (28") double grouser shoes, no grapple. | | | |
| SERVICE REFILL CAPACITIES | | | |
| Fuel Tank Capacity | 990 L | 262 gal | |
| Cooling System | 38.0 L | 10 gal | |
| Engine Oil (with filter) | 25 L | 7 gal | |
| Swing Drive | 13.5 L | 4 gal | |
| Final Drive (each) | 9.5 L | 3 gal | |
| Hydraulic System (including tank) | 348 L | 92 gal | |
| Hydraulic Tank | 185 L | 49 gal | |
| Diesel Exhaust Fluid (DEF) Tank | 41 L | 11 gal | |
| AIR CONDITIONING SYSTEM | | | |
| <p>The air conditioning system on this machine contains the fluorinated greenhouse gas refrigerant R134a (Global Warming Potential = 1430). The system contains 1.00 kg of refrigerant which as a CO₂ equivalent of 1.430 metric tonnes.</p> | | | |

| WORKING RANGES | | | | |
|---|---------------------------------|-------|-----------------------------------|--------|
| General Forestry | | | | |
| Processor | | | | |
| Reach 5.9 m (19'4") boom, drop nose 3.71 m (12'2") processor stick | | | | |
| Maximum Reach at Ground Level | | | 8980 mm | 29'6" |
| Road Builder | | | | |
| Reach 5.9 m (19'4") boom, Reach 2.95 m (9'8") stick, 1.54 m³ (2.01 yd³) HD bucket | | | | |
| Maximum Reach at Ground Level | | | 10 040 mm | 32'11" |
| Log Loader | | | | |
| Under/Under | | | | |
| Log Loader 6.55 m (21'6") boom, under/under 3.76 m (12'4") stick | | | | |
| Maximum reach at ground level | | | 11 440 mm | 37'6" |
| Over/Under | | | | |
| Log Loader 6.55 m (21'6") boom, over/under 4.05 m (13'3") stick | | | | |
| Maximum reach at ground level | | | 12 350 mm | 40'6" |
| Power Clam | | | | |
| Log Loader 6.55 m (21'6") boom, power clam 4.05 m (13'3") stick | | | | |
| Maximum reach at ground level | | | 10 480 mm | 34'5" |
| DIMENSIONS | | | | |
| | General Forestry | | Log Loader | |
| Boom | Reach 5.9 m (19'4") | | 6.55 m (21'6") | |
| Stick | Reach 2.95 m (9'8") | | Over/Under 4.05 m (13'3") | |
| Stick | Drop Nose 3.71 m (12'2") | | Under/Under 3.76 m (12'4") | |
| Stick | — — | | Power Clam 4.05 m (13'3") | |
| Shipping Height (cab tilted) | 3500 mm | 11'6" | 3480 mm | 11'5" |
| Handrail Height | 3500 mm | 11'6" | 3500 mm | 11'6" |
| Shipping Length* | 10 470 mm | 34'4" | 15 210 mm | 49'11" |
| Processor – no attachment | 12 570 mm | 41'3" | — | — |
| Road Builder – with bucket | 11 920 mm | 39'1" | — | — |
| Under/Under – no grapple | — | — | 15 120 mm | 49'7" |
| Over/Under – no grapple | — | — | 15 210 mm | 49'11" |
| Power Clam – no grapple | — | — | 14 060 mm | 46'2" |
| Tail Swing Radius | 3530 mm | 11'7" | 3530 mm | 11'7" |
| Counterweight Clearance | 1500 mm | 4'11" | 1500 mm | 4'11" |
| Ground Clearance | 780 mm | 2'7" | 780 mm | 2'7" |
| Track Length | 5050 mm | 16'7" | 5050 mm | 16'7" |
| Length to Center of Rollers | 4020 mm | 13'2" | 4020 mm | 13'2" |
| Track Gauge | 2790 mm | 9'2" | 2790 mm | 9'2" |
| Transport Width – 700 mm (28") shoes | 3530 mm | 11'7" | 3580 mm | 11'9" |
| *Boom and stick stretched out. | | | | |

STANDARD & OPTIONAL EQUIPMENT

Standard and optional equipment may vary. Consult your Cat dealer for details.

| BOOMS AND STICKS | STANDARD | OPTIONAL |
|---|----------|----------|
| 5.9 m (19'6") Reach boom – General Forestry | | • |
| 6.55 m (21'6") boom – Log Loader | | • |
| 2.95 m (9'8") Reach stick | | • |
| 3.71 m (12'2") goose neck stick | | • |
| 3.76 m (12'4") under/under stick | | • |
| 4.05 m (13'3") over/under stick | | • |
| 4.05 m (13'3") power clam | | • |
| CAB | STANDARD | OPTIONAL |
| ROPS Forestry cab with polycarbonate windows | • | |
| 4-point harness seat belt | • | |
| Rear entry | | • |
| Side entry | | • |
| 559 mm (22") tilting riser | | • |
| 1219 mm (48") tilting riser | | • |
| 1829 mm (72") tilting riser | | • |
| Heated and cooled seat with air-adjustable suspension | • | |
| Integrated joysticks | • | |
| Tilt-up left-side console (side-entry cab only) | • | |
| High-resolution touchscreen monitor | • | |
| Bluetooth integrated radio (including USB, aux port and microphone) | • | |
| 12V DC outlets | • | |
| Keyless push-to-start engine control | • | |
| Automatic bi-level air conditioner | • | |
| LED dome and floor lights | • | |
| Windshield wiper and washer | • | |
| Behind seat storage | • | |
| CB radio mounts | | • |
| Retractable sunshade | • | |
| Cat Stick Steer | | • |
| Auxiliary relay | | • |
| CAT® TECHNOLOGIES | STANDARD | OPTIONAL |
| Cat Product Link | • | |
| Remote Services capability | • | |

| ELECTRICAL SYSTEM | STANDARD | OPTIONAL |
|---|----------|----------|
| Maintenance-free 1,000 CCA batteries (x4) | • | |
| Centralized electrical disconnect switch | • | |
| LED chassis, boom and cab lights | • | |
| Premium lighting – General Forestry – six additional LED lights | | • |
| Premium lighting – Log Loader – 10 additional LED lights | | • |
| ENGINE | STANDARD | OPTIONAL |
| Electric fuel priming pump | • | |
| Cold start package with block heaters and ether assist | | • |
| Three selectable modes: Power, Smart, Eco | • | |
| Automatic engine speed control | • | |
| Automatic engine idle shutdown | • | |
| Up to 4500 m (14,764 ft) altitude capability | • | |
| 52° C (126° F) high-ambient cooling capacity | • | |
| -32° C (-25° F) cold start capability | • | |
| Hydraulic reverse fan | • | |
| Two-stage fuel filter system | • | |
| Double element air filter with integrated pre-cleaner | • | |

(continued on next page)

Not all features are available in all regions. Please check with your local Cat dealer for specific offering availability in your area.

For additional information and additional regional offerings, refer to the Technical Specifications brochure available at www.cat.com or your Cat dealer.

STANDARD & OPTIONAL EQUIPMENT *(continued)*

Standard and optional equipment may vary. Consult your Cat dealer for details.

| HYDRAULIC SYSTEM | STANDARD | OPTIONAL | UNDERCARRIAGE AND STRUCTURES | STANDARD | OPTIONAL |
|--|----------|----------|---|----------|----------|
| Boom and stick regeneration circuits | • | | High Wide undercarriage | • | |
| Boom and stick drift reduction valve | • | | Grease lubricated track with positive pin retention | • | |
| Electronic main control valve | • | | Catwalks | • | |
| Automatic hydraulic oil warmup | • | | Tie down points | • | |
| Automatic swing parking brake | • | | Counterweight fuel tank | • | |
| High performance hydraulic return filter | • | | 900 mm (36") triple grouser Tri Link shoes | | • |
| Automatic two speed travel | • | | 850 mm (33") triple grouser shoes | | • |
| Bio hydraulic oil capability | • | | 700 mm (28") double or single grouser shoes | | • |
| High torque swing drive | • | | Heavy-duty track rollers | • | |
| Swing cushion valve | • | | Heavy-duty travel motor guards | • | |
| Tool control software | • | | Heavy-duty bottom guards | • | |
| Medium pressure circuit | | • | Track guiding guards | • | |
| SAFETY AND SECURITY | STANDARD | OPTIONAL | High drawbar final drives | • | |
| Caterpillar One Key security system | • | | Heavy-duty recoil springs | • | |
| Easy lock cab tilting system (rear-entry cab only) | | • | Heavy-duty hydraulic swivel | • | |
| Cab riser light | | • | Heavy-duty hydraulic swivel guard | • | |
| Inspection lighting | | • | | | |
| Lockable service doors | • | | | | |
| Lockable external tool/storage box | • | | | | |
| Lockable fuel cap and hydraulic tank | • | | | | |
| Service platforms with anti-skid plate and countersunk bolts | • | | | | |
| Right-hand handrail and handhold | • | | | | |
| Signaling/warning horn | • | | | | |
| Ground-level secondary engine shutoff switch | • | | | | |
| Rearview camera | • | | | | |
| Right-hand sideview camera | | • | | | |
| Travel alarm | • | | | | |
| Swing alarm | | • | | | |
| SERVICE AND MAINTENANCE | STANDARD | OPTIONAL | | | |
| Integrated vehicle health management system | | • | | | |
| Side-entry service platform | • | | | | |
| Left- and right-side fuel fill locations | • | | | | |
| Grouped location for engine oil and fuel filters | • | | | | |
| S-O-S SM sampling ports | • | | | | |

Not all features are available in all regions. Please check with your local Cat dealer for specific offering availability in your area.

For additional information and additional regional offerings, refer to the Technical Specifications brochure available at www.cat.com or your Cat dealer.

For more complete information on Cat products, dealer services and industry solutions, visit us on the web at www.cat.com

© 2023 Caterpillar. All Rights Reserved.

Materials and specifications are subject to change without notice. Featured machines in photos may include additional equipment. See your Cat dealer for available options.

CAT, CATERPILLAR, LET'S DO THE WORK, their respective logos, "Caterpillar Corporate Yellow," the "Power Edge" and Cat "Modern Hex" trade dress as well as corporate and product identity used herein, are trademarks of Caterpillar and may not be used without permission. VisionLink is a trademark of Caterpillar Inc., registered in the United States and in other countries.

www.cat.com www.caterpillar.com

AEXQ3534 (01-2023)
Build Number: 07A
(Aus-NZ, N Am)

