



Cat[®] Mulchers

MINI HYDRAULIC EXCAVATORS

Cat[®] Mulchers are designed for high performance cutting and mulching of vegetation, saplings, and undergrowth from overgrown agricultural areas and forested terrain. The hydraulic mulchers reduce saplings, shrubs and trees into mulched material, making it ideal for environmental maintenance, such as brush clearing and creating fire lanes. Other applications include: reclaiming untilled land, removing foliage from building construction sites and shredding pruned material and organic waste for biomass production.

Features:

Variable displacement piston motor

- Variable displacement piston motor provides excellent multi-function capability of machine platform. Motor displacement will change to provide high torque at low speed to power through material with reduced risk of stalling. Motor automatically switches the displacement back for high speed operation once the material is cleared.

Balanced drum and fixed tool (bolt-on) teeth with staggered tooth design

- Mulching drum is weighted for maximum mulching performance and smooth operation. Staggered tooth design allows for only one tooth to contact material at all times for efficient cutting performance.

Dual hydraulic doors

- Standard dual hydraulic doors minimize debris throw and improve material refinement.

Bolt-on replaceable skid shoes

- Bolt-on replaceable skid shoes surround frame with box support. Skid shoes are reinforced and built to last, yet easily replaceable as needed.

Counter knife design

- Counter knife design incorporates two hardened strips inside mulcher frame, which increases material refinement.

Single-bolt retention, reversible, blade/knife style teeth

- Standard allen key single-bolt tooth retention significantly reduces replacement time. Reversible tooth provides double the tooth life before replacement.

Rear chain guard protector

- Rear chain guard reduces the spread of mulched material and limits material thrown behind machine.

Integrated stand

- Integrated stand eases access for attachment and removal of tool to machine. Allows mulcher to sit flat for storage.

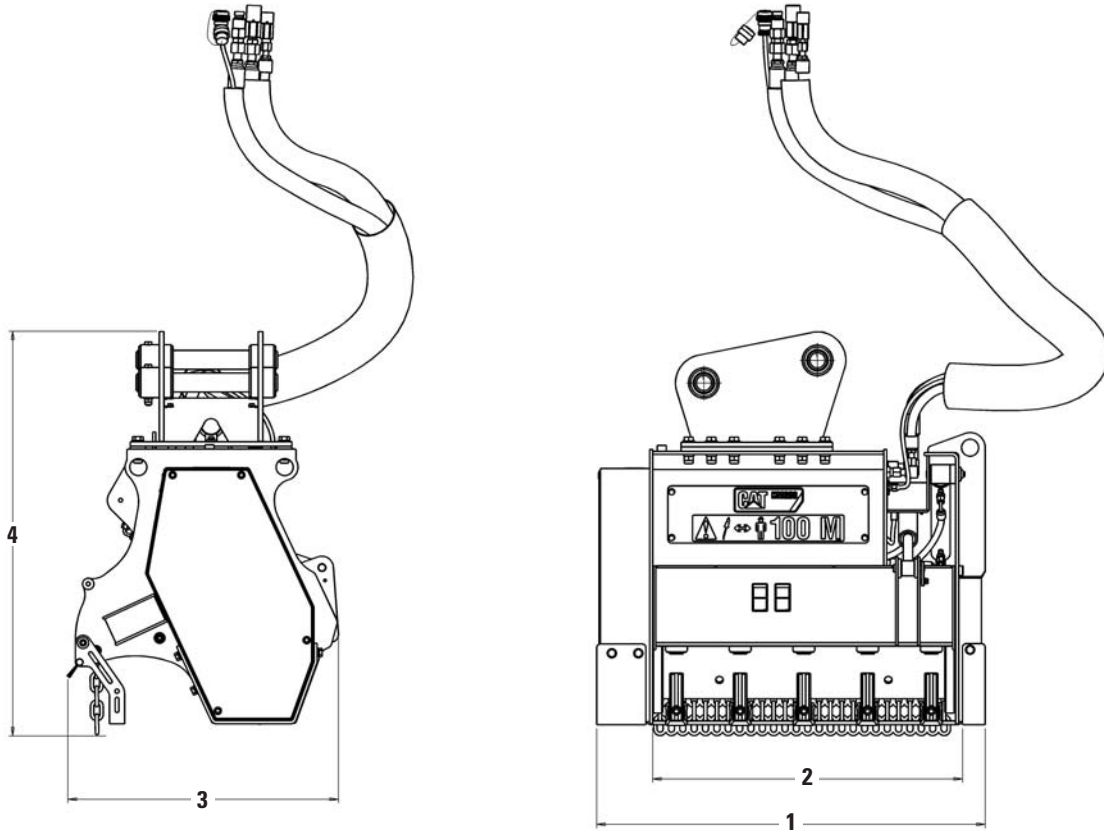
Compatibility

| Model | Machines |
|--------|----------|
| HM208* | 308E2 CR |
| HM210* | 308E2 CR |

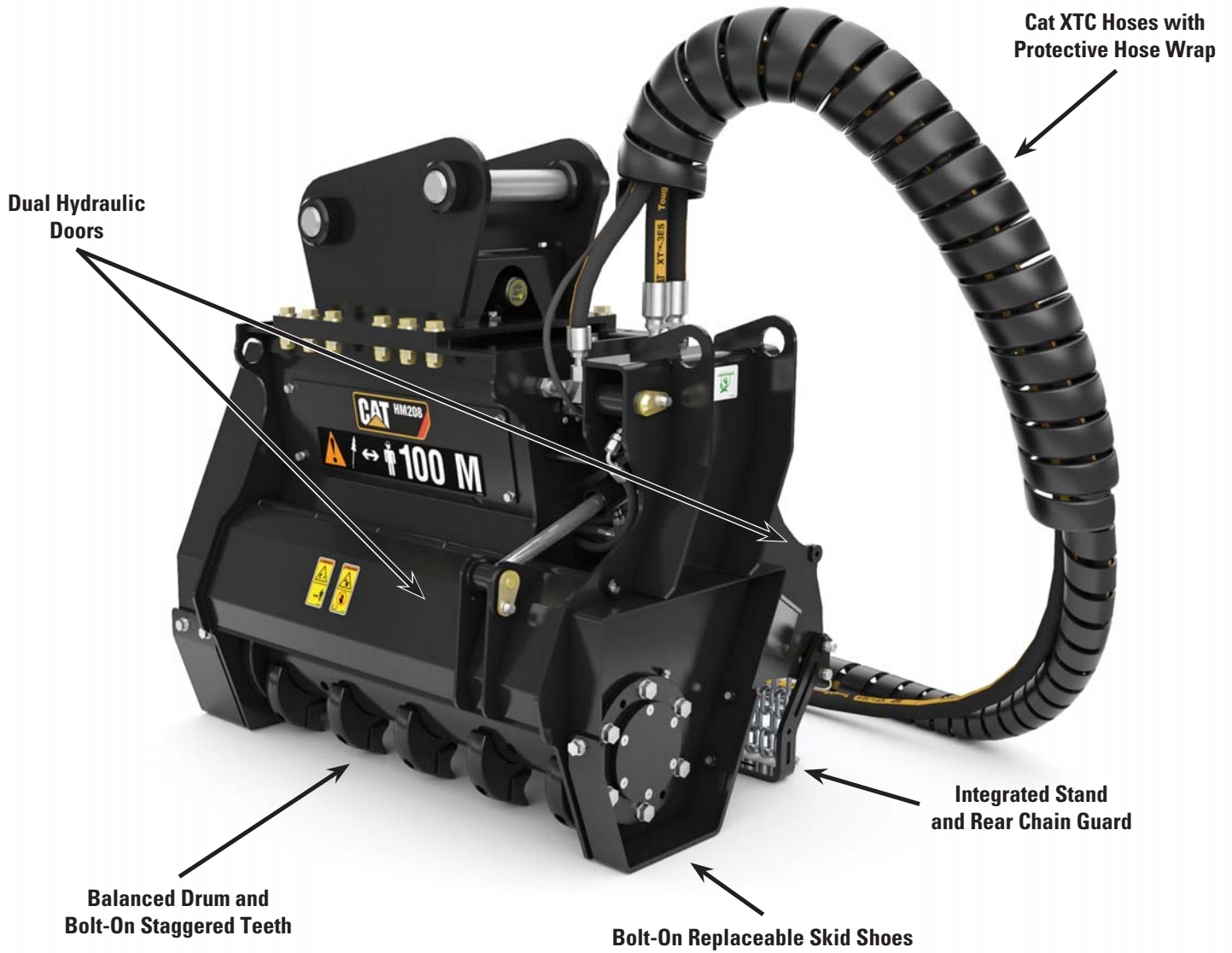
*Requires case drain kit, electrical switch kit, and guarding on machine. May require extra counterweight depending on machine configuration.



Specifications



| | | | HM208 | | HM210 | |
|----------------------------|-------|-------|----------------------------|---------------|----------------------------|---------------|
| 1 Overall width | mm | (in) | 1026 | (40) | 1226 | (48) |
| 2 Working width | mm | (in) | 818 | (32) | 1012 | (40) |
| 3 Length | mm | (in) | 714 | (28) | 714 | (28) |
| 4 Overall height | mm | (in) | 1065 | (42) | 1065 | (42) |
| Weight | kg | (lb) | 490 | (1,080) | 540 | (1,191) |
| Drive method | | | V-belt drive | | V-belt drive | |
| Motor | | | Axial piston Dual speed | | Axial piston Dual speed | |
| Optimum hydraulic flow | L/min | (gpm) | 70-130 | (18-34) | 70-130 | (18-34) |
| Optimum hydraulic pressure | bar | (psi) | 150-250 | (2,175-3,626) | 150-250 | (2,175-3,626) |
| Drum speed range | rpm | | 2,770-2,890 | | 2,770-2,890 | |
| Fixed teeth per drum | | | 15 | | 18 | |
| Maximum cutting diameter | mm | (in) | 120-200 | (5-8) | 120-200 | (5-8) |



For more complete information on Cat products, dealer services, and industry solutions, visit us on the web at www.cat.com

© 2017 Caterpillar
All rights reserved

Materials and specifications are subject to change without notice. Featured machines in photos may include additional equipment. See your Cat dealer for available options.

CAT, CATERPILLAR, SAFETY.CAT.COM, their respective logos, "Caterpillar Yellow" and the "Power Edge" trade dress, as well as corporate and product identity used herein, are trademarks of Caterpillar and may not be used without permission.

AEHQ8048-01 (09-2017)
Replaces AEHQ8048
(Global excluding China and Japan)

