



Cat[®] CP11 GC

Padfoot Drum Vibratory Soil Compactor

The Cat[®] CP11 GC features a padfoot drum and is ideally suited for cohesive soil applications.

Superior Compaction Performance

- High weight at the drum and high amplitude deliver superior compaction performance

Comfortable and Ergonomic Operator Station

- Simple controls are within reach
- Outstanding visibility to the front and rear of the machine

Proven and Exclusive Cat Features

- Includes the ultra-reliable pod-style vibratory system and sealed-for-life hitch bearing

Reliable Cat Engine

- The Cat engine provides ample power and consistent performance
- Standard Eco-mode reduces fuel use during normal operation

Simple Maintenance

- Maintenance-free hitch bearings and extended maintenance intervals for vibratory system and hydraulic system provide more uptime and lower maintenance costs

Optional Cat Compaction Control Technology

- Compaction control helps the operator determine when compaction has been completed to specification for greater productivity and uniform compaction quality
- Machine Drive Power (MDP) measurement technology available
- Scalable solutions can be configured to meet customer needs



Cat® CP11 GC Padfoot Drum Vibratory Soil Compactor

Standard and Optional Equipment

Standard and optional equipment may vary. Consult your Cat dealer for details.

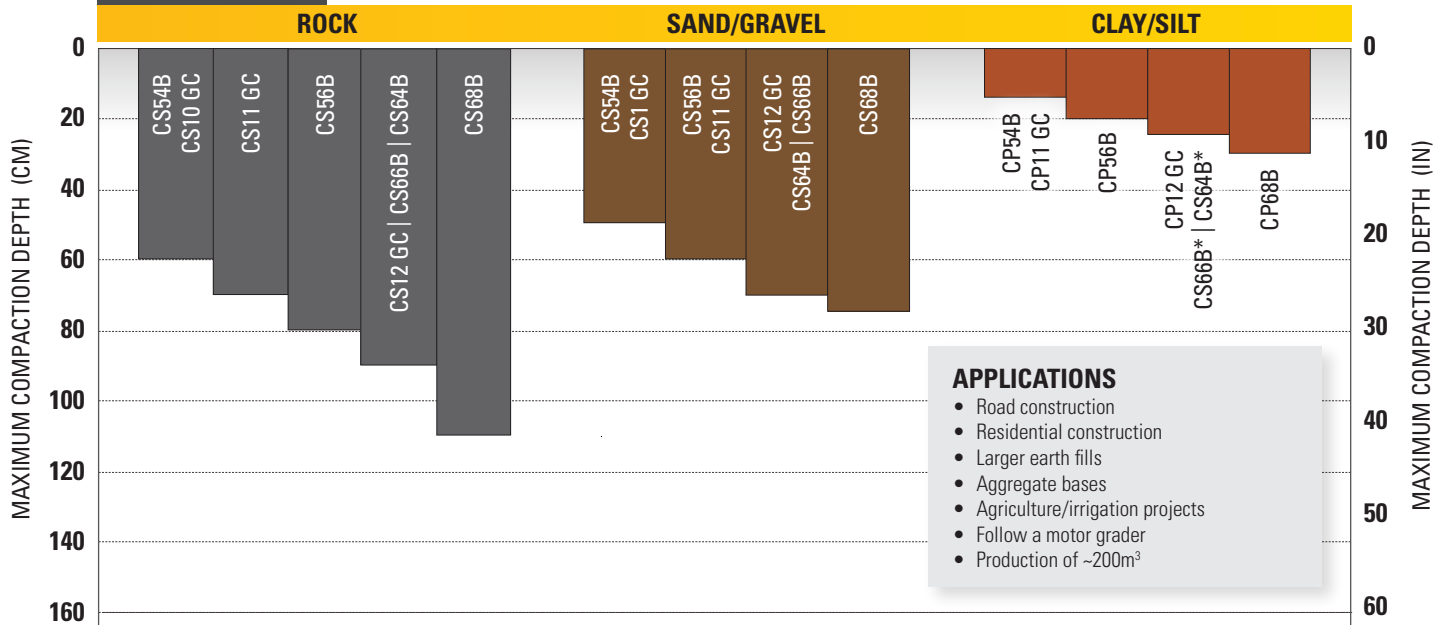
	Standard	Optional		Standard	Optional
OPERATOR ENVIRONMENT			POWERTRAIN		
ROPS/FOPS Canopy with Handrails/ Guardrails, Floormat	✓		Cat® C3.6 Diesel Engine, 4 cylinder	✓	
Vinyl Adjustable Seat, Seat Belt	✓		Single Propel Pump	✓	
Adjustable Tilting Steering Column	✓		Fuel Filter, Water Separator, Priming Pump, Water Indicator	✓	
12-volt Power Outlet	✓		Radiator/Hydraulic Oil Cooler	✓	
Horn, Backup Alarm	✓		Dual Braking System	✓	
Internal Rear View Mirror	✓		Two-speed Hydrostatic Transmission	✓	
ROPS/FOPS Cab with Climate Control		✓	Transmission Guard		✓
Deluxe High-back Air-ride Seat (Cab)		✓	TECHNOLOGY SOLUTIONS		
Sun/Debris Shields (Canopy)		✓	Measure - Machine Drive Power		✓
Cab Internal Roll-down Sun Screen (Cab)		✓	Map - SBAS GNSS Mapping		✓
Rear View Camera with Color Touchscreen Display		✓	Connect - Cloud and Machine Connectivity		✓
Sound Reduction Kit		✓	ELECTRICAL		
VIBRATORY SYSTEM			12 volt Electrical System	✓	
Padfoot Drum	✓		150 ampere Alternator	✓	
Dual Amplitude, Dual Frequency	✓		900 Cold-cranking Amps Battery Capacity	✓	
Pod-Style Eccentric Weight Housings	✓		OTHER		
Auto-vibe Function	✓		Product Link™	✓	
Dual Adjustable Steel Scrapers	✓		Sight Gauges for Hydraulic Oil Level and Radiator Coolant Level	✓	
			S-O-S SM Sampling Valves: Engine Oil, Hydraulic Oil and Coolant	✓	
			High Ambient Temperature Oil Factory Fill		✓
			Printer Port		✓
			Seat Belt Switch		✓
			Upgraded LED Light Package		✓
			Amber Rotating Beacon		✓

Cat® CP11 GC Padfoot Drum Vibratory Soil Compactor

Vibratory Soil Compactor Selection Guide

10 - 15 T

Assumes density specification is 95% of Standard Proctor and can vary substantially due to different soil conditions.



APPLICATIONS

- Road construction
- Residential construction
- Larger earth fills
- Aggregate bases
- Agriculture/irrigation projects
- Follow a motor grader
- Production of ~200m³

Rock

Smooth drum, high amplitude moving to low amplitude when approaching compaction, 4-8 passes

Size: Less than 50 mm (2 in) diameter

Sand/Gravel

Smooth drum, high amplitude moving to low amplitude when approaching compaction, 4-6 passes

Clay/Silt

Padfoot and smooth drum application (for smoothing), 4-10 passes. Compaction in cohesive soils strongly depends on moisture content.

* Smooth drum model equipped with padfoot shell kit

Cat® CP11 GC Padfoot Drum Vibratory Soil Compactor

Technical Specifications

Engine - Powertrain		
Engine Model	Cat C3.6	
Emissions	U.S. EPA Tier 4 Final EU Stage V	
Engine Power ISO14396:2002	90.0 kW	121.0 hp
Gross Power SAE J1995:2014	91.7 kW	122.9 hp
Net Power ISO 9249:2007*	83.7 kW	112.2 hp
Net Power SAE J1349:2011*	82.9 kW	111.2 hp
Displacement	3.6 L	219.7 in ³
Stroke	120 mm	4.7 in
Bore	98 mm	3.9 in
Max. Travel Speed (Forward or Reverse)	11 km/h	6.8 mph
Theoretical Gradeability, with or without vibration**	55%	

Vibratory System Specifications		
Nominal Amplitude - High	1.8 mm	0.071 in
Frequency at High Idle	30.0 Hz	1800 vpm
Frequency at Eco-Mode	28.6 Hz	1716 vpm
Nominal Amplitude - Low	0.89 mm	0.035 in
Frequency at High Idle	33 Hz	1980 vpm
Frequency at Eco-Mode	31.5 Hz	1890 vpm
Centrifugal Force		
Maximum	249 kN	55,932 lb
Minimum	148 kN	33,249 lb
French Classification, data/class w/ ROPS/FOPS Cab	40.2	VM3

Service Refill Capacities		
Fuel Tank, total capacity	213 L	56.3 gal
Diesel Exhaust Fuel refill capacity	19 L	5.0 gal
Cooling System	18.5 L	4.9 gal
Engine Oil w/ Filter	11.6 L	3.1 gal
Eccentric Weight Housings (combined)	26 L	6.9 gal
Axle and Final Drives	10 L	2.6 gal
Hydraulic Tank (service refill)	23 L	6.1 gal

Weights***		
Operating Weight w/ ROPS/FOPS Canopy		
w/ Oval Padfoot Drum	11 235 kg	24,769 lb
w/ Square Padfoot Drum	11 267 kg	24,840 lb
Operating Weight w/ ROPS/FOPS Cab		
w/ Oval Padfoot Drum	11 389 kg	25,109 lb
w/ Square Padfoot Drum	11 421 kg	25,179 lb
Weight at Drum w/ ROPS/FOPS Canopy		
w/ Oval Padfoot Drum	6345 kg	13,988 lb
w/ Square Padfoot Drum	6377 kg	14,059 lb
Weight at Drum w/ ROPS/FOPS Cab		
w/ Oval Padfoot Drum	6388 kg	14,084 lb
w/ Square Padfoot Drum	6420 kg	14,154 lb

* Net power advertised is the power available at the engine flywheel when equipped with a fan at maximum speed, air cleaner, and alternator.

** Actual gradeability may vary based on site conditions and machine configuration. Refer to the Operation and Maintenance Manual for more information.

*** Standard operating weight considers full fuel tank, 75 kg operator, flotation tires, smooth drum, and cab with A/C.

Cat® CP11 GC Padfoot Drum Vibratory Soil Compactor

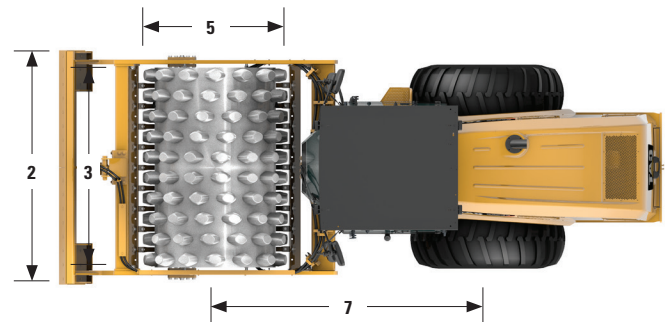
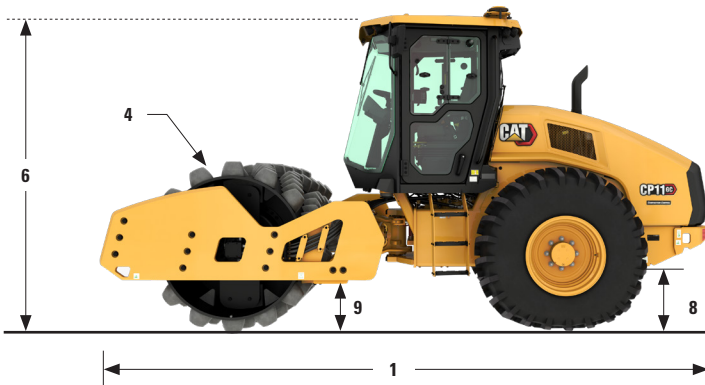
Technical Specifications

Dimensions

1	Overall Length	5.7 m	18.7 ft
2	Overall Width	2.3 m	7.5 ft
3	Drum Width	2134 mm	84 in
4	Drum Shell Thickness	25 mm	1 in
5	Drum Diameter	1549 mm	60.9 ft
6	Maximum Overall Height	3.0 m	9.8 ft
7	Wheelbase	3.0 m	9.8 ft
8	Ground Clearance	516 mm	20.3 in
9	Curb Clearance	496 mm	19.5 in
	Inside Turning Radius	3.9 m	12.7 ft
	Hitch Articulation Angle	34°	
	Hitch Oscillation Angle	15°	

Padfoot Specifications

Number of Pads	140	
Pad Height, oval pads	127 mm	5 in
Pad Face Area, oval pads	74.4 cm ²	11.5 in ²
Pad Height, optional square pads	100 mm	3.9 in
Pad Face Area, optional square pads	123 cm ²	19.1 in ²
Number of Chevrons	14	



Cat® CP11 GC Padfoot Drum Vibratory Soil Compactor

Environmental Declaration

The following information applies to the machine at the time of final manufacture as configured for sale in the regions covered in this document. The content of this declaration is valid as of the date issued; however, content related to machine features and specifications are subject to change without notice. For additional information, please see the machine's Operation and Maintenance Manual.

For more information on sustainability in action and our progress, please visit www.caterpillar.com/en/company/sustainability.html.

ENGINE

- The Cat C3.6 is available in configurations that meet U.S. EPA Tier 4 Final and EU Stage V emission standards.
- Cat diesel engines are required to use ULSD (ultra-low sulfur diesel fuel with 15 ppm of sulfur or less) or ULSD blended with the following lower-carbon intensity fuels up to:
 - ✓ 20% biodiesel FAME (fatty acid methyl ester)*
 - ✓ 100% renewable diesel, HVO (hydrotreated vegetable oil) and GTL (gas-to-liquid) fuels

Refer to guidelines for successful application. Please consult your Cat dealer or "Caterpillar Machine Fluids Recommendations" (SEBU6250) for details.

**Engines with no aftertreatment devices can use higher blends, up to 20% biodiesel.*

AIR CONDITIONING SYSTEM

The air conditioning system on this machine contains the fluorinated greenhouse gas refrigerant R134a (Global Warming Potential = 1430). The system contains 2.2 kg (4.91 lb) of refrigerant, which has a CO₂ equivalent of 3.146 metric tonnes (3.468 tons).

PAINT

- Based on best available knowledge, the maximum allowable concentration, measured in parts per million (PPM), of the following heavy metals in paint are:
 - Barium < 0.01%
 - Cadmium < 0.01%
 - Chromium < 0.01%
 - Lead < 0.01%

SOUND PERFORMANCE

With cooling fan speed at maximum value:

Exterior Sound Pressure Level (SAE J88:2013) – 107 dB(A)

Operator Sound Pressure Level (ISO 6396:2008) – 85 dB(A)

- When properly installed and maintained, the cab offered by Caterpillar, when tested with doors and windows closed according to ANSI/SAE J1166 OCT98, meets OSHA and MSHA requirements for operator sound exposure limits in effect at time of manufacture.
- Hearing protection may be needed when operating with an open operator station and cab (when not properly maintained or doors/windows open) for extended periods or in a noisy environment.

OILS AND FLUIDS

- Caterpillar factory fills with ethylene glycol coolants. Cat Diesel Engine Antifreeze/Coolant (DEAC) and Cat Extended Life Coolant (ELC) can be recycled. Consult your Cat dealer for more information.
- Cat BIO HYDO™ Advanced is an EU Ecolabel approved biodegradable hydraulic oil.
- Additional fluids are likely to be present, please consult the Operations and Maintenance Manual or the Application and Installation guide for complete fluid recommendations and maintenance intervals.

FEATURES AND TECHNOLOGY

- The following features and technology may contribute to fuel savings and/or carbon reduction. Features may vary. Consult your Cat dealer for details.
 - Standard eco-mode limits engine RPM, lowering overall fuel consumption by up to 10% compared to high idle
 - Optional compaction control reduces unnecessary passes, contributing to lower overall fuel consumption
 - Extended maintenance intervals reduce fluid and filter consumption
 - Auto engine idle shutdown reduces unproductive hours and fuel burned

Cat® CP11 GC Padfoot Drum Vibratory Soil Compactor

For more information on Cat products, dealer services, and industry solutions visit us on the web at www.cat.com.

© 2022 Caterpillar
All rights reserved.

Materials and specifications are subject to change without notice. Featured machines in photos may include additional equipment. See your Cat dealer for available options.

CAT, CATERPILLAR, LET'S DO THE WORK, their respective logos, "Caterpillar Corporate Yellow," the "Power Edge" and Cat "Modern Hex" trade dress as well as corporate and product identity used herein, are trademarks of Caterpillar and may not be used without permission.

QEHQ2770-02 (09-2022)
Build Number: 01A

