

# 950 GC

Wheel Loader



## Engine

Engine Model	Cat® C7.1 ACERT™	
Maximum Power – ISO 14396	179 kW	243 hp (metric)
Maximum Power – SAE J1995	180 kW	241 hp
Maximum Net Power – ISO 9249	168 kW	228 hp (metric)
Maximum Net Power – SAE J1349	168 kW	225 hp

## Buckets

Bucket Capacities	2.9-4.4 m <sup>3</sup>	3.75-5.75 yd <sup>3</sup>
-------------------	------------------------	---------------------------

## Weights

Operating Weight	18 849 kg	41,554 lb
------------------	-----------	-----------

- For 3.1 m<sup>3</sup> (4.0 yd<sup>3</sup>) general purpose buckets with BOCE.

# Reliable, Productive and Fuel Efficient

## Linkage

The proven Cat Z-bar linkage geometry with Performance Series Buckets offers excellent penetration into the pile and high breakout forces. The results are low fuel consumption and exceptional production capabilities.

## Engine

Cat C7.1 engine with ACERT Technology meets U.S. EPA Tier 4 Final/ EU Stage IV emission standards.

## Hydraulics

Load sensing hydraulics produce flow and pressure for the implement system upon demand and only in amounts necessary to perform the needed work functions. This state of the art system results in low fuel consumption.

## Serviceability

Electrical and hydraulic service centers, along with additional key serviceability features, help make servicing your machines and in-field component exchange quick, easy, and efficient.

## Structures

Caterpillar design and manufacturing techniques assure outstanding service life.

## Operator Station

The spacious cab features easy, intuitive controls and excellent visibility which provides a comfortable working environment for efficient all day operation.

## Contents

Operator Environment.....	4
Power Train.....	6
Reliability/Serviceability .....	7
Productivity .....	8
Work Tools/Fusion Quick Coupler .....	9
Specifications.....	10
Standard Equipment.....	18
Optional Equipment.....	19





**The new Cat 950 GC Wheel Loader is designed specifically to handle many jobs on your worksite from material handling and truck loading, to general construction, to stockpiling. This machine is purpose-built to be just the right machine to get your everyday jobs done. Great machine performance combined with low owning and operating costs make the 950 GC the right choice for your business.**

# Operator Environment

Work Comfortably and Efficiently.



## Entry and Exit

Ladders are available on both sides of the machine to easily access the platforms. Platforms are equipped with guard and hand rails for safe access to the cab. The main cab door opens to the front and provides wide access to the operator environment.



### **Controls and Display**

The complete operator interface has been designed with the operator in mind: easy to operate and simple to understand. The pilot-operated hydraulic implement controls deliver comfortable, low-effort operation. Single axis levers or a joystick are available. Both arrangements are equipped with remote F-N-R and kick-down switches. The joystick features an F-N-R switch as well. The adjustable steering column includes the manual shifter and turn signal lever.

The dashboard display contains six analog-like gauges, several colored indicator lights and an LCD screen. This intuitive system allows the operator to monitor that the machine systems are operating properly.

### **Visibility**

The 950 GC cab offers an unmatched viewing area with a wide, flat, and distortion-free front windshield. The glass stretches to the floor of the cab for excellent visibility to the bucket and front tires. The cab roof has channels which direct rain off the corners of the cab keeping windows clear. Front and back wiper ensure that a clear view is maintained. External rearview mirrors with integrated spot mirrors are standard. A rear vision camera is standard to clearly monitor movement behind the machine.

### **Climate Control**

Air conditioning system is standard on the 950 GC. Ten louvered vents allow the operator to direct the air flow to remain productive and efficient all shift long. The controls are comfortably located on the right hand console. The fresh air and recirculation cab air filters are located in the main unit outside of the operator environment for superior filtration and easy cleaning.

### **Seat**

The comfort cloth mechanical suspension seat provides a variety of adjustments to suit the operator's size and weight including fore/aft, height and weight. An air suspension seat is offered as an option. The left-hand armrest and headrest are also adjustable.

# Power Train

## Powerful Efficiency.



### **Cat C7.1 ACERT Engine**

The 950 GC is powered by a Cat C7.1 ACERT engine that meets Tier 4 Final/Stage IV emission standards.

The Engine Idle Management System (EIMS) and Auto Idle Shutdown (AIS) minimizes fuel consumption by reducing engine rpm and/or shutting the engine down after a specified amount of idle time.

### **On-Demand Fan**

Electronically controlled, hydraulically driven variable speed fan adjusts to meet the varying cooling requirements of the machine. This results in a reduced average fan speed lowering fuel consumption, noise levels and radiator plugging. In very cold operating conditions, an optional fan drive bypass valve allows the machine systems to warm up faster to operating temperatures.

### **Transmission**

The power-shift countershaft transmission, designed and built by Caterpillar, features high contact ratio gears, meaning that there are always up-to three teeth in contact. These heat treated gears complemented by heavy duty bearings make this transmission durable, fuel efficient and produce low noise and vibration levels during operation. It is commanded by the proven Cat Electronic Long Range Transmission (ELRT) control valve, which allows full-power shifts and directional shift changes. The modulated shifts ensures smoothness for operators and contributes significantly to fast cycles and extended component life.

### **Axles**

Heavy-duty axles with inboard-planetary final drives feature hydraulically actuated wet-disc brakes. Limited-slip differentials are available for applications where increased traction is needed.

# Reliability/Serviceability

Tested and Proven – Ready to Work.

## Service Centers

The hydraulic and electrical service centers provide grouped ground level access to numerous maintenance and service points enhancing safety and convenience for operators and service technicians. These are conveniently located under the access ladders on each side of the machine.

## Grease Points

Grease fittings for difficult to reach components are grouped conveniently, allowing easy and quick preventive lubrication.



## Caterpillar Designed

Components used to build Cat Wheel Loaders are designed and manufactured to Caterpillar quality standards throughout all Caterpillar facilities. The 950 GC is built on a long legacy of high performance and highly reliable wheel loaders.

## Renowned Cat Dealer Support

Cat products are designed with superior quality, unsurpassed reliability, ease of serviceability and repairability and outstanding support, provided almost exclusively by Cat dealers. Cat dealers are with customers every step of the way to maximize machine uptime by providing unsurpassed worldwide parts support, trained technicians and customer support agreements. Dealers around the globe have been working with Cat customers for generations.

## Cat Product Link™

Cat Product Link is a telematics solution, deeply integrated into the machine systems, allowing you to monitor the overall health of your machine including location tracking, fuel consumption and more.

# Productivity

Work Smart. Move More.



## Performance Series Buckets

Performance Series buckets feature an optimized shape, longer floor, curved side walls and wider opening, allowing short load times, high fill factors ranging from 100% to 115% and better material retention. They load easy and carry more! A unique spill guard protects the cab and linkage components from material overflow. This design results in safer operation, shorter cycle times, reduced fuel consumption and overall higher production efficiency.

## Z-bar Linkage

The 950 GC linkage generates excellent breakout force and good rack back angle for better bucket loading and load retention. Lift arms provide excellent dump clearance and reach for exceptional matching to various truck body heights. Lift and return-to-dig kick-out positions can be adjusted on the linkage.

## Load Sensing Hydraulics

The 950 GC features a load sensing hydraulic system that only produces flow and pressure for the implement system when required, improving machine productivity and resulting in low fuel consumption. Operators will also notice an excellent power balance between rimpull and implements. An optional third hydraulic function is available to control a variety of work tools; it is commanded by a dedicated single axis lever on the right console.

## Ride Control

The optional Ride Control System improves ride, performance and load retention when traveling over rough terrain. Operators gain confidence moving at higher speeds in load and carry operations decreasing cycle times and increasing productivity.



# Work Tools/Fusion Quick Coupler

Work Tool Options to Meet Your Needs.

## Work Tool Attachments for All Support Functions on Your Job Site

A variety of pin-on and coupler attachments are available for 950 GC applications. Cat Work Tools are durable, reliable and designed for performance and efficiency with your Cat wheel loader.

## Fusion™ Quick Coupler

The Fusion Quick Coupler System gives one common interface across a range of medium and small wheel loaders. A quick coupler allows one machine to use a range of different work tools on the job site. Fusion allows one work tool to be picked up by the entire range of medium and small wheel loaders.

With a Fusion Coupler, performance is virtually identical to pin-on attachments. The coupler sits back, close into the loader arms – minimizing offset, enabling increased machine performance. An advanced wedging mechanism creates a tight, rattle-free fit which results in a longer coupler and attachment service life. An open coupler frame design clears sight lines from the operator's seat to the load. Loading and unloading is done confidently and quickly with good visibility to the tool and load.



# 950 GC Wheel Loader Specifications

## Engine

Engine Model	Cat C7.1 ACERT	
Maximum Power @ 1,700 rpm		
– SAE J1995	180 kW	241 hp
– ISO 14396	179 kW	240 hp
– ISO 14396 (metric)	243 hp	
Maximum Net Power @ 1,700 rpm		
– SAE J1349	168 kW	225 hp
– ISO 9249	168 kW	225 hp
– ISO 9249 (metric)	228 hp	
Maximum Gross Torque (1,400 rpm)	1099 N·m	811 lbf-ft
– SAE J1995		
Peak Gross Torque (1,400 rpm)	1092 N·m	805 lbf-ft
– ISO 14396		
Maximum Net Torque (1,100 rpm)	1041 N·m	768 lbf-ft
– SAE J1349		
Maximum Net Torque (1,400 rpm)	1041 N·m	768 lbf-ft
– ISO 9249		
Bore	105 mm	4.13 in
Stroke	135 mm	5.31 in
Displacement	7.01 L	428 in <sup>3</sup>

- Cat engine with ACERT Technology – meets Tier 4 Final/Stage IV emission standards.
- The power ratings apply at the stated speed when tested under the reference conditions for the specified standards.
- The net power advertised is the power available at the flywheel when the engine is equipped with fan, alternator, air cleaner and aftertreatment.
- The gross power advertised is with the fan at maximum speed.

## Weights

Operating Weight	18 849 kg	41,554 lb
------------------	-----------	-----------

- Weight and static tipping loads and operating weights shown are based on a machine configuration with Maxam 23.5R25 tires, full fluids, operator, standard counterweight, standard ambient arrangement, limited slip differential axles (front/rear), roading fenders, ride control and a 3.1 m<sup>3</sup> (4.0 yd<sup>3</sup>) general purpose bucket with BOCE.

## Operating Specifications

Static Tipping Load Full 38° Turn – ISO 14397-1 (With Tire Deflection)*	11 006 kg	24,264 lb
Static Tipping Load Full 38° Turn – (No Tire Deflection)**	11 737 kg	25,875 lb
Breakout Force	154 kN	34,638 lbf

- For a machine configuration as defined under “Weights.”
- \* (With Tire Deflection) Full compliance to ISO 14397-1 (2007) Sections 1 thru 6, which requires 2% verification between calculations and testing.
- \*\* (No Tire Deflection) Compliance to ISO 14397-1 (2007) Sections 1 thru 5.

## Transmission

Forward 1	7.3 km/h	4.5 mph
Forward 2	12.8 km/h	8.0 mph
Forward 3	22.8 km/h	14.2 mph
Forward 4	36 km/h	22.4 mph
Reverse 1	7.3 km/h	4.5 mph
Reverse 2	12.8 km/h	8.0 mph
Reverse 3	22.8 km/h	14.2 mph

- Maximum travel speeds (23.5-25 tires).
- Maximum travel speed in standard vehicle with empty bucket and standard L3 tires with 760 mm (30 in) roll radius.

## Service Refill Capacities

Fuel Tank Size	290 L	76.6 gal
DEF Tank	16 L	4.2 gal
Cooling System	50 L	13.2 gal
Crankcase	18 L	4.8 gal
Transmission	45 L	11.9 gal
Differentials and Final Drives – Front	40 L	10.6 gal
Differentials and Final Drives – Rear	38 L	10 gal
Hydraulic Tank	112 L	29.6 gal

## Air Conditioning System

The air conditioning system on this machine contains the fluorinated greenhouse gas refrigerant R134a (Global Warming Potential = 1430). The system contains 1.9 kg (4.2 lb) of refrigerant which has a CO<sub>2</sub> equivalent 2.717 metric tonnes (2.995 tons).

# 950 GC Wheel Loader Specifications

## Hydraulic System

Implement System Pump Type	Piston	
Steering System Pump Type	Piston	
Implement System – Maximum Pump Output @ 2,390 rpm	256 L/min	68 gal/min
Implement System – Maximum Operating Pressure @ 50 ± 1.5 L/min	27 900 kPa	4,047 psi
Implement System – Optional 3rd Function Maximum Pressure @ 70 L/min (18.5 gal/min)	20 680 kPa	2,999 psi
Implement System – Optional 3rd Function Maximum Flow	240 L/min	63 gal/min
Hydraulic Cycle Time – Raise from Carry Position	5.4 Seconds	
Hydraulic Cycle Time – Dump at Maximum Raise	1.2 Seconds	
Hydraulic Cycle Time – Lower, Empty, Float Down	2.8 Seconds	
Hydraulic Cycle Time – Total Cycle Time	9.4 Seconds	

## Tires\*

- Choices include:
  - 23.5R25 L3 \*\* from Triangle and Maxam
  - 23.5R25 L3 \* from Bridgestone
  - 23.5R25 L2 \* from Bridgestone

\*Tire offerings vary by region. Consult your local Cat dealer for further details.

## Sound

The sound values indicated below are for specific operating conditions only. Machine and operator sound levels will vary at different engine and/or cooling fan speeds. Hearing protection may be needed when the machine is operated with a cabin that is not properly maintained, or when the doors and/or windows are open for extended periods or in a noisy environment.

With Cooling Fan Speed at Maximum Value:

Operator Sound Pressure Level (ISO 6396:2008)	75 dB(A)
Exterior Sound Power Level (ISO 6395:2008)	109 dB(A)
Exterior Sound Pressure Level (SAE J88:2013)	76 dB(A)*

With Cooling Fan Speed at 70% of Maximum Value:\*\*

Operator Sound Pressure Level (ISO 6396:2008)	73 dB(A)
Exterior Sound Power Level (ISO 6395:2008)	107 L <sub>WA</sub> ***

\*Distance of 15 m (49.2 ft), moving forward in second gear ratio.

\*\*For machines in countries that adopt the “EU Directives.”

\*\*\*European Union Directives “2000/14/EC” as amended by “2005/88/EC.”

## Cab

ROPS/FOPS	ROPS/FOPS meet ISO 3471:2008 and ISO 3449:2005 Level II standards
-----------	---

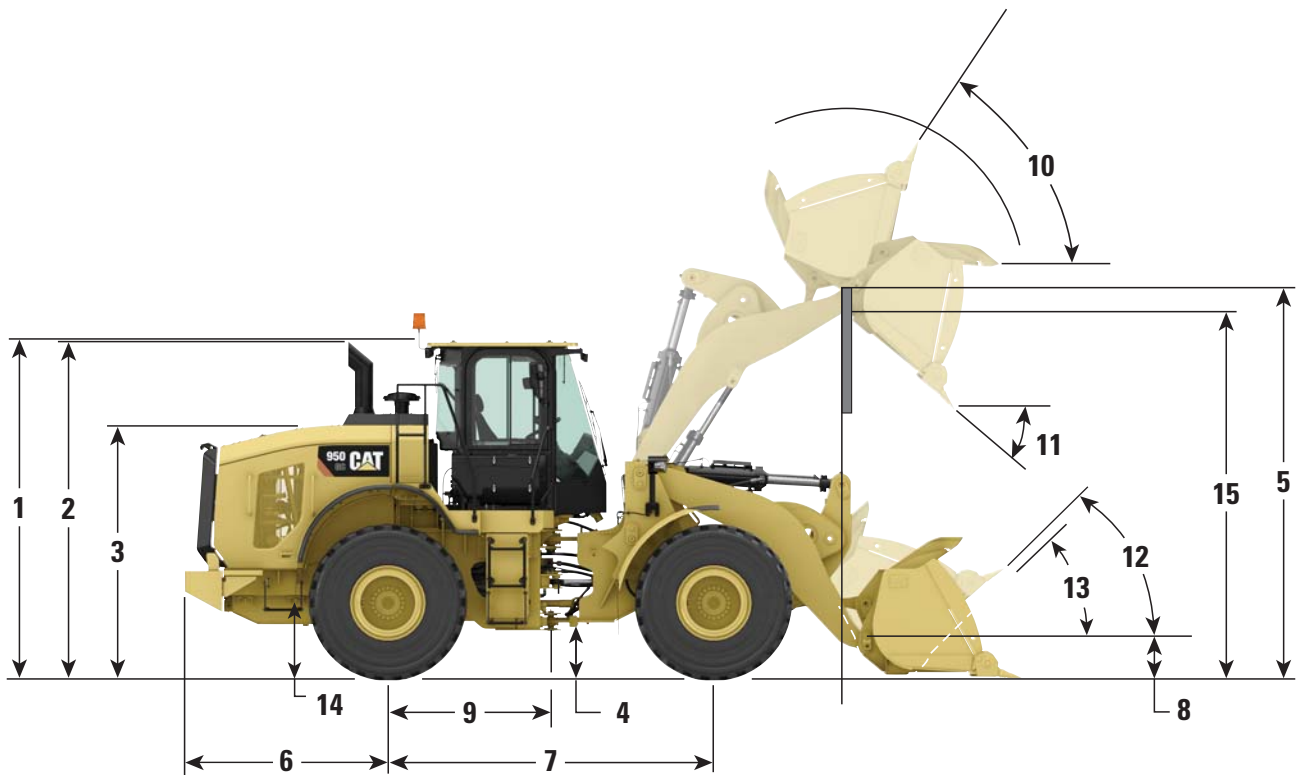
## Brakes

Brakes	Brakes meet ISO 3450:2011 standards
--------	-------------------------------------

# 950 GC Wheel Loader Specifications

## Dimensions

All dimensions are approximate and based on Maxam MS302 23.5R25 L3 radial tires.



<b>1</b> Height to Top of ROPS	3458 mm	11'4"
<b>2</b> Height to Top of Exhaust Pipe	3416 mm	11'2"
<b>3</b> Height to Top of Hood	2673 mm	8'9"
<b>4</b> Ground Clearance	460 mm	1'6"
<b>5</b> B-Pin Height	4188 mm	13'9"
<b>6</b> Center Line of Rear Axle to Edge of Counterweight	2055 mm	6'9"
<b>7</b> Wheelbase	3300 mm	10'10"
<b>8</b> B-Pin Height @ Carry	655 mm	2'2"
<b>9</b> Center Line of Rear Axle to Hitch	1650 mm	5'5"
<b>10</b> Rack Back @ Maximum Lift		60 degrees
<b>11</b> Dump Angle @ Maximum Lift		52 degrees
<b>12</b> Rack Back @ Carry		45 degrees
<b>13</b> Rack Back @ Ground		40 degrees
<b>14</b> Height to Center Line of Axle	750 mm	2'6"
<b>15</b> Lift Arm Clearance	3649 mm	12'0"

# 950 GC Wheel Loader Specifications

## Turning Radius

All dimensions are approximate and based on 23.5R25 Maxam MS302 L3 tires.

Turning Radius to Outside of Tires	6196 mm	20'4"
Turning Radius to Inside of Tires	3419 mm	11'3"
Width Over Tires	2822 mm	9'3"
Turning Radius to Outside Edge of Counterweight	6196 mm	20'4"

## 950 GC Tire Options\*

Tire Brand	Maxam	Triangle	Bridgestone	Bridgestone
Tire Size	23.5R25	23.5R25	23.5R25	23.5R25
Tread Type	L3	L3	L3	L2
Tread Pattern	MS302	TB516	VJT	VUT
Width over Tires – Maximum (unloaded)**	2820 mm 9'3"	2830 mm 9'3"	2811 mm 9'3"	2811 mm 9'3"
Width over Tires – Maximum (loaded)**	2840 mm 9'4"	2833 mm 9'4"	2836 mm 9'4"	2812 mm 9'3"
Change in Vertical Dimensions (average of front and rear)	0 mm 0"	-14 mm -0.6"	-9 mm -0.4"	6 mm 0.2"
Change in Horizontal Reach	0 mm 0"	1.5 mm 0.1"	14.5 mm 0.6"	14.5 mm 0.6"
Change in Clearance Circle to Outside of Tires	0 mm 0"	-3.8 mm -0.1"	-2.1 mm -0.1"	-14 mm -0.6"
Change in Clearance Circle to Inside of Tires	0 mm 0"	4 mm 0.2"	2.1 mm 0.1"	14 mm 0.6"
Change in Operating Weight (without Ballast)	0 kg 0 lb	-12 kg -26 lb	0 kg 0 lb	120 kg 265 lb

\*Tire offerings vary by region. Consult your local Cat dealer for further details.

\*\*Width over tire bulge and includes tire growth.

## Changes Specific to the 950 GC\*

Tire Brand	Maxam	Triangle	Bridgestone	Bridgestone
Tire Size	23.5R25	23.5R25	23.5R25	23.5R25
Tread Type	L3	L3	L3	L2
Tread Pattern	MS302	TB516	VJT	VUT
Change in Static Tipping Load – Straight	0 kg 0 lb	-8 kg -17.6 lb	0 kg 0 lb	79 kg 174 lb
Change in Static Tipping Load – Articulated	0 kg 0 lb	-7 kg -15.4 lb	0 kg 0 lb	70 kg 154 lb

\*Tire offerings vary by region. Consult your local Cat dealer for further details.

**Note: Reference tire used for 'change' dimensions: Maxam MS302.**

# 950 GC Wheel Loader Specifications

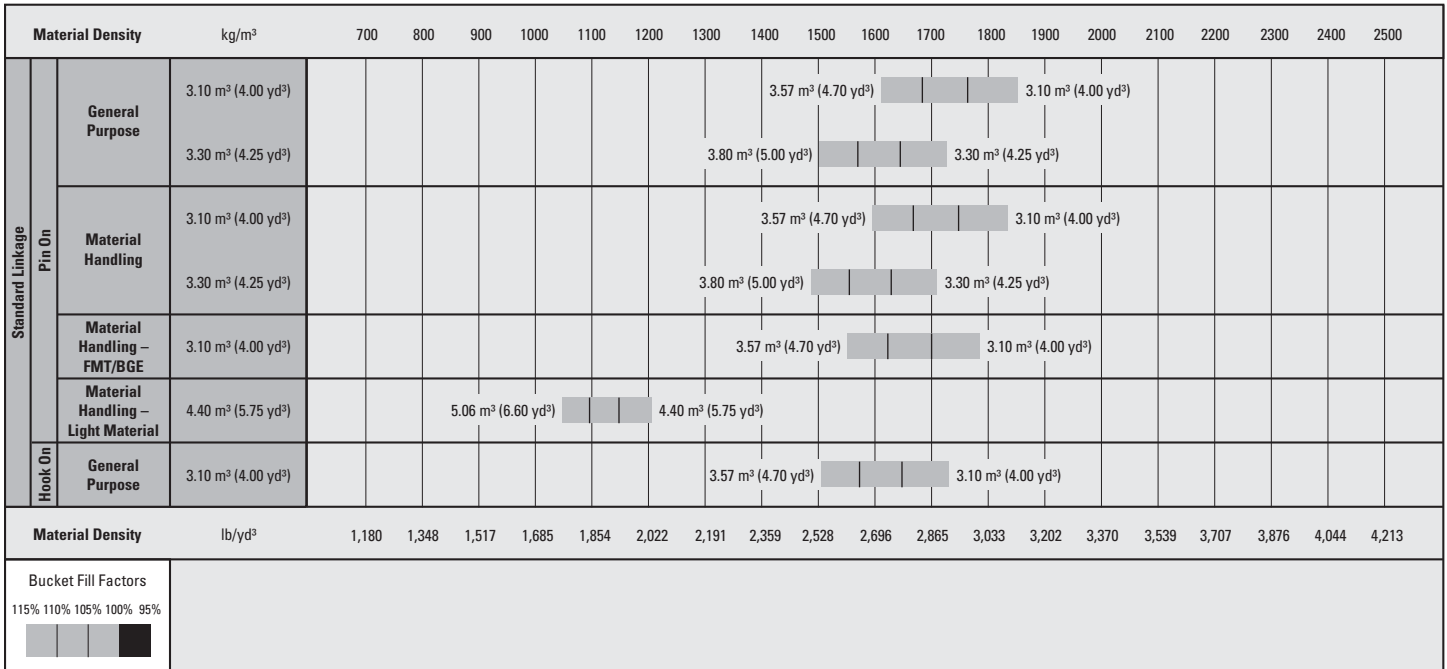
## 950 GC Bucket Fill Factors and Selection Chart

The bucket size must be chosen based on the density of the material and on the expected fill factor. The new Cat Performance Series Buckets with longer floor, larger bucket opening, increased repository angle, rounded side boards and integrated spill guard, demonstrate fill factors significantly higher than previous generation or non Cat buckets. The actual volume handled by the machine is thus often larger than the rated capacity.

Loose Material		Material Density	Fill Factor (%)*
Earth/Clay		1500-1700 kg/m <sup>3</sup> (2,528-2,865 lb/yd <sup>3</sup> )	115
Sand and Gravel		1500-1700 kg/m <sup>3</sup> (2,528-2,865 lb/yd <sup>3</sup> )	115
Aggregate:	25-76 mm (1 to 3 in)	1600-1700 kg/m <sup>3</sup> (2,696-2,865 lb/yd <sup>3</sup> )	110
	19 mm (0.75 in) and smaller	1800 kg/m <sup>3</sup> (3,033 lb/yd <sup>3</sup> )	105
Rock:	76 mm (3 in) and larger	1600 kg/m <sup>3</sup> (2,696 lb/yd <sup>3</sup> )	100

\*As a % of ISO rated capacity.

**Note:** Fill Factors achieved will also depend on whether the product is washed or not washed.



**Note:** All buckets are showing Bolt-On Edges unless otherwise noted.

FMT/BGE = Flush Mounted Back Grading Edge

# 950 GC Wheel Loader Specifications

## Operating Specifications

Bucket Type		General Purpose – Pin On					
		Bolt-On Cutting Edges	Teeth and Segments	Teeth	Bolt-On Cutting Edges	Teeth and Segments	Teeth
Capacity – Rated	m <sup>3</sup>	3.10	3.10	2.90	3.30	3.30	3.10
	yd <sup>3</sup>	4.00	4.00	3.75	4.25	4.25	4.00
Capacity – 110% Rated	m <sup>3</sup>	3.40	3.40	3.20	3.60	3.60	3.40
	yd <sup>3</sup>	4.50	4.50	4.25	4.75	4.75	4.50
Width	mm	2927	2994	2994	2927	2994	2994
	ft/in	9'7"	9'10"	9'10"	9'7"	9'10"	9'10"
Dump Clearance at Maximum Lift and 45° Discharge	mm	3050	2933	2933	3012	2894	2894
	ft/in	10'0"	9'8"	9'8"	9'11"	9'6"	9'6"
Reach at Maximum Lift and 45° Discharge	mm	1261	1372	1372	1292	1402	1402
	ft/in	4'2"	4'6"	4'6"	4'3"	4'7"	4'7"
Reach at Level Lift Arm and Bucket Level	mm	2719	2880	2880	2769	2930	2930
	ft/in	8'11"	9'5"	9'5"	9'1"	9'7"	9'7"
Digging Depth	mm	86	86	56	86	86	56
	in	3.39"	3.39"	2.2"	3.39"	3.39"	2.2"
Overall Length	mm	8292	8466	8466	8342	8516	8516
	ft/in	27'3"	27'9"	27'9"	27'4"	27'11"	27'11"
Overall Height with Bucket at Maximum Lift	mm	5642	5642	5642	5690	5690	5690
	ft/in	18'6"	18'6"	18'6"	18'8"	18'8"	18'8"
Loader Clearance Circle with Bucket at Carry Position	mm	13 819	13 984	13 984	13 847	14 013	14 013
	ft/in	45'4"	45'11"	45'11"	45'5"	46'0"	46'0"
Static Tipping Load, Straight (With Tire Deflection)*	kg	12 555	12 416	12 744	12 469	12 330	12 650
	lb	27,679	27,373	28,095	27,489	27,182	27,888
Static Tipping Load, Straight (No Tire Deflection)*	kg	13 378	13 238	13 577	13 294	13 154	13 485
	lb	29,493	29,184	29,932	29,309	28,999	29,728
Static Tipping Load, Articulated (With Tire Deflection)*	kg	11 006	10 867	11 179	10 925	10 786	11 091
	lb	24,264	23,959	24,646	24,085	23,778	24,452
Static Tipping Load, Articulated (No Tire Deflection)*	kg	11 737	11 597	11 919	11 658	11 517	11 833
	lb	25,875	25,567	26,277	25,701	25,391	26,086
Breakout Force	kN	154	153	168	148	147	160
	lbf	34,638	34,380	37,666	33,238	32,981	36,033
Operating Weight*	kg	18 849	18 957	18 800	18 890	18 998	18 841
	lb	41,554	41,792	41,446	41,644	41,882	41,536

\*Static tipping loads and operating weights shown are based on a machine configuration with Maxam MS302 23.5R25 tires, full fluids, operator, standard counterweight, standard ambient arrangement, limited slip differential axles (front/rear), roading fenders, ride control.

(With Tire Deflection) Full compliance to ISO 14397-1 (2007) Sections 1 thru 6, which requires 2% verification between calculations and testing.

(No Tire Deflection) Compliance to ISO 14397-1 (2007) Sections 1 thru 5.

Bucket and work tool offerings vary by region. Consult your local Cat dealer for further details.

# 950 GC Wheel Loader Specifications

## Operating Specifications

Bucket Type		Material Handling – Pin On					
		Bolt-On Cutting Edges	Teeth and Segments	Teeth	Bolt-On Cutting Edges	Teeth and Segments	Teeth
Capacity – Rated	m <sup>3</sup>	3.10	3.10	2.90	3.30	3.30	3.10
	yd <sup>3</sup>	4.00	4.00	3.75	4.25	4.25	4.00
Capacity – 110% Rated	m <sup>3</sup>	3.40	3.40	3.20	3.60	3.60	3.40
	yd <sup>3</sup>	4.50	4.50	4.25	4.75	4.75	4.50
Width	mm	2927	2994	2994	2927	2994	2994
	ft/in	9'7"	9'10"	9'10"	9'7"	9'10"	9'10"
Dump Clearance at Maximum Lift and 45° Discharge	mm	2981	2856	2856	2943	2817	2817
	ft/in	9'9"	9'4"	9'4"	9'8"	9'3"	9'3"
Reach at Maximum Lift and 45° Discharge	mm	1178	1281	1281	1217	1319	1319
	ft/in	3'10"	4'2"	4'2"	4'0"	4'4"	4'4"
Reach at Level Lift Arm and Bucket Level	mm	2729	2890	2890	2784	2945	2945
	ft/in	8'11"	9'6"	9'6"	9'2"	9'8"	9'8"
Digging Depth	mm	86	86	56	86	86	56
	in	3.39"	3.39"	2.2"	3.39"	3.39"	2.2"
Overall Length	mm	8302	8476	8476	8357	8531	8531
	ft/in	27'3"	27'10"	27'10"	27'5"	28'0"	28'0"
Overall Height with Bucket at Maximum Lift	mm	5643	5643	5643	5692	5692	5692
	ft/in	18'6"	18'6"	18'6"	18'8"	18'8"	18'8"
Loader Clearance Circle with Bucket at Carry Position	mm	13 824	13 990	13 990	13 855	14 022	14 022
	ft/in	45'4"	45'11"	45'11"	45'6"	46'0"	46'0"
Static Tipping Load, Straight (With Tire Deflection)*	kg	12 438	12 301	12 616	12 347	12 208	12 524
	lb	27,421	27,118	27,814	27,220	26,915	27,611
Static Tipping Load, Straight (No Tire Deflection)*	kg	13 246	13 107	13 432	13 158	13 018	13 343
	lb	29,202	28,896	29,612	29,007	28,699	29,416
Static Tipping Load, Articulated (With Tire Deflection)*	kg	10 902	10 764	11 066	10 816	10 678	10 979
	lb	24,035	23,731	24,395	23,845	23,540	24,204
Static Tipping Load, Articulated (No Tire Deflection)*	kg	11 619	11 481	11 791	11 536	11 396	11 706
	lb	25,616	25,310	25,994	25,432	25,124	25,808
Breakout Force	kN	153	152	166	146	145	158
	lbf	34,341	34,084	37,319	32,834	32,578	35,565
Operating Weight*	kg	18 862	18 970	18 813	18 904	19 012	18 855
	lb	41,583	41,821	41,475	41,675	41,913	41,567

\*Static tipping loads and operating weights shown are based on a machine configuration with Maxam MS302 23.5R25 tires, full fluids, operator, standard counterweight, standard ambient arrangement, limited slip differential axles (front/rear), roading fenders, ride control.

(With Tire Deflection) Full compliance to ISO 14397-1 (2007) Sections 1 thru 6, which requires 2% verification between calculations and testing.

(No Tire Deflection) Compliance to ISO 14397-1 (2007) Sections 1 thru 5.

Bucket and work tool offerings vary by region. Consult your local Cat dealer for further details.



# 950 GC Wheel Loader Specifications

## Operating Specifications

Bucket Type		Material Handling – Pin On	Material Handling – Light Material – Pin On	General Purpose – Hook On		
		Flush Mounted Back Grading Edge	Bolt-On Cutting Edges	Bolt-On Cutting Edges	Teeth and Segments	Teeth
Capacity – Rated	m <sup>3</sup>	3.10	4.40	3.10	3.10	2.90
	yd <sup>3</sup>	4.00	5.75	4.00	4.00	3.75
Capacity – 110% Rated	m <sup>3</sup>	3.40	4.80	3.40	3.40	3.20
	yd <sup>3</sup>	4.50	6.25	4.50	4.50	4.25
Width	mm	2994	3059	2927	2994	2994
	ft/in	9'10"	10'0"	9'7"	9'10"	9'10"
Dump Clearance at Maximum Lift and 45° Discharge	mm	2815	2782	3008	2891	2891
	ft/in	9'3"	9'2"	9'10"	9'6"	9'6"
Reach at Maximum Lift and 45° Discharge	mm	1364	1355	1297	1409	1409
	ft/in	4'6"	4'5"	4'3"	4'8"	4'8"
Reach at Level Lift Arm and Bucket Level	mm	2977	2995	2774	2935	2935
	ft/in	9'9"	9'10"	9'1"	9'8"	9'8"
Digging Depth	mm	59	102	94	94	64
	in	2.32"	4.02"	3.7"	3.7"	2.52"
Overall Length	mm	8541	8581	8353	8527	8527
	ft/in	28'0"	28'2"	27'5"	28'0"	28'0"
Overall Height with Bucket at Maximum Lift	mm	5692	5910	5662	5662	5662
	ft/in	18'8"	19'5"	18'7"	18'7"	18'7"
Loader Clearance Circle with Bucket at Carry Position	mm	14 018	14 109	13 849	14 017	14 017
	ft/in	46'0"	46'4"	45'5"	46'0"	46'0"
Static Tipping Load, Straight (With Tire Deflection)*	kg	12 152	11 671	11 813	11 675	11 992
	lb	26,790	25,730	26,042	25,738	26,438
Static Tipping Load, Straight (No Tire Deflection)*	kg	12 965	12 489	12 621	12 482	12 810
	lb	28,584	27,534	27,824	27,517	28,241
Static Tipping Load, Articulated (With Tire Deflection)*	kg	10 609	10 167	10 287	10 149	10 452
	lb	23,389	22,413	22,679	22,375	23,042
Static Tipping Load, Articulated (No Tire Deflection)*	kg	11 331	10 892	11 005	10 865	11 178
	lb	24,981	24,013	24,262	23,954	24,643
Breakout Force	kN	155	123	146	145	159
	lbf	34,757	27,648	32,926	32,667	35,683
Operating Weight*	kg	19 179	19 338	19 478	19 586	19 429
	lb	42,281	42,632	42,941	43,179	42,833

\*Static tipping loads and operating weights shown are based on a machine configuration with Maxam MS302 23.5R25 tires, full fluids, operator, standard counterweight, standard ambient arrangement, limited slip differential axles (front/rear), roading fenders, ride control.

(With Tire Deflection) Full compliance to ISO 14397-1 (2007) Sections 1 thru 6, which requires 2% verification between calculations and testing.

(No Tire Deflection) Compliance to ISO 14397-1 (2007) Sections 1 thru 5.

Bucket and work tool offerings vary by region. Consult your local Cat dealer for further details.

# 950 GC Standard Equipment

## Standard Equipment

Standard equipment may vary. Consult your Cat dealer for details.

### POWER TRAIN

- Engine – Cat C7.1 ACERT meets Tier 4 Final/Stage IV emissions standards
- Torque converter
- Transmission, automatic, power shift (4F/3R), kick-down function, overspeed protection
- Brakes, full hydraulic enclosed wet-disc
- EIMS (Engine Idle Management System)
- EIS (Auto Idle Shutdown)
- Fan, radiator, electronically controlled, hydraulically driven, temperature sensing, on demand
- Filter, fuel primary-water separator/secondary
- Radiator, unit core (9.5 fpi) with ATAAC
- Starting aid, glow plugs
- Switch, transmission neutralizer lockout

### HYDRAULICS

- Load sensing implement system pilot operated
- Dedicated load sensing steering pump
- Dedicated brake and fan gear pump

### ELECTRICAL

- Alarm, back-up/main disconnect switch
- Alternator (145-amp, brush type)
- Batteries (2), maintenance free
- Ignition key; start/stop switch
- Lighting system, halogen (6 total)
  - Four (4) halogen work lights
  - Two (2) halogen road lights
- Starting and charging system (24-volt)
- Starter, electric (heavy duty)

### OPERATOR ENVIRONMENT

- Air conditioning (HVAC) with 10 vents and filter unit located outside of cab
- Bucket/work tool function lockout
- Cab, pressurized and sound suppressed
- Hydroformed (ROPS/FOPS) structure
- 12V power port (10A)
- Coat hook
- Radio ready
- Rear vision camera and display
- Pilot hydraulic controls, lift and tilt function
- Computerized monitoring system
- Gauges
  - Engine coolant temperatures/fluid level
  - Hydraulic/transmission oil temperature
  - Tachometer/DEF level
- Digital indicators
  - Gear indicator
  - Speedometer
  - Service meter units
  - Fault codes
- Warning indicators
  - Air inlet heater
  - Electrical malfunction
  - Engine inlet manifold temperature
  - Engine oil pressure, fuel level
  - Fuel pressure high/low
  - Hydraulic oil level, parking brake
  - Primary steering oil pressure
  - Service brake oil pressure
  - Action light, engine malfunction
  - Transmission filter bypass
- Heater and defroster
- Horn
- Cup holders and personal tray on right console
- Storage tray behind seat
- Mirrors, rearview external
- Seat, Cat Comfort (cloth) suspension
- Seat belt
- Steering column, adjustable angle
- Wipers/washers (front and rear)
- Window, sliding (left and right side)

### TIRES, RIMS, AND WHEELS

- Tires are available from Triangle, Maxam and Bridgestone
- Offerings vary by region. Consult your local Cat dealer for further details.

### FLUIDS

- Premixed 50% concentration of extended life coolant with freeze protection to  $-34^{\circ}\text{C}$  ( $-29^{\circ}\text{F}$ )

### OTHER STANDARD EQUIPMENT

- Lift and bucket return-to-dig kick outs (Electro-Magnetic), mechanical adjustment
- Couplings, Cat O-ring face seal
- Doors, service access (locking)
- Front fender, steel
- Grill, airborne debris
- Hitch, drawbar with pin
- Hood, wing doors
- Hoses, Cat XT
- Counterweight
- Linkage, Z-bar, fabricated crosstube/tilt lever
- S·O·S<sup>SM</sup> oil sampling valves
- Sight gauges
  - Engine coolant, hydraulic oil
  - Transmission oil level
- Diagnostic pressure taps
- Product Link Ready

## Optional Equipment

Optional equipment may vary. Consult your Cat dealer for details.

- Cold weather starting (jacket water heater, electric and ether starting aid)
- Third hydraulic function, additional dedicated single axis lever
- Quick coupler control
- Limited slip differentials
- Ride control
- Air suspended seat
- Secondary steering, electrical
- Reversing cooling fan (auto/manual controlled)
- Toolbox
- Sun visor, rear
- High capacity converter 12V/15A
- Warning beacon
- Extra working lights (4), Halogen or LED
- Radio
- Fender extensions/roading

For more complete information on Cat products, dealer services, and industry solutions, visit us on the web at [www.cat.com](http://www.cat.com)

AEHQ7967 (01-2017)  
(N Am, Eur)

© 2017 Caterpillar  
All rights reserved

Materials and specifications are subject to change without notice. Featured machines in photos may include additional equipment. See your Cat dealer for available options.

CAT, CATERPILLAR, SAFETY.CAT.COM, their respective logos, "Caterpillar Yellow" and the "Power Edge" trade dress, as well as corporate and product identity used herein, are trademarks of Caterpillar and may not be used without permission.

