



# Cat<sup>®</sup> RM400

## Reclaimer / Stabilizer

***The Cat<sup>®</sup> RM400 Reclaimer/Stabilizer is designed for full-depth reclamation and soil stabilization projects. It delivers excellent material gradation, outstanding maneuverability, and simple operation with superb visibility for excellent overall job site performance.***

***Not all features available in all regions. Consult your Cat dealer for specific configurations available in your region.***

### **Simple to Operate, Easy to Learn**

- Easily match machine functions with gradation specifications through the 25 cm (10 in) color touch screen displays and push button controls
- Precise machine control is delivered through hand-wheel and joystick steering
- Controls are ergonomically located and grouped by function for quick and easy access
- Save time and ensure consistent depth for every cut with automatic features to exit and return to cutting depth
- Keyless push-button engine start can add security and convenience using Operator ID codes to recall saved operator preferences and profiles upon login

### **Boost Performance with Enhanced Visibility**

- Standard FOPS cab with heating and air conditioning for a comfortable work environment
- Sight lines are optimized with the full left-to-right sliding cab
- A heated, 180° positioning air-ride suspension seat with fore and aft adjustment increases operator comfort and visibility
- Performance and safety can be augmented with standard and optional cameras that are viewed on large, in-cab displays:
  - Fore and aft visibility is enhanced with standard front and rear mounted cameras
  - Visibility to each side of the machine can be supplemented with optional side mounted cameras
  - Obstacle avoidance and gradation results can be viewed with optional cameras mounted above the front and rear mixing chamber doors

### **Efficient Power with Increased Mobility**

- Get 19% more power with the Cat<sup>®</sup> C9.3B engine that provides 310 kW (416 hp) of power and meets regional emission standards
- The overall machine length is 44 cm (17 in) shorter to enhance productivity and maneuverability in compact spaces
- Maximize traction and mobility with standard, electronically controlled all-wheel drive and four steering modes:
  - Front wheels only, rear wheels only, crab steering, and coordinated steering

### **Deliver Superior Mix Quality**

- Advanced electronic controls deliver ideal mix quality by keeping the rotor at the proper depth and the machine at an optimized speed
- Manage gradation for a wide variety of materials and applications with three separate rotor speeds that can be selected while in operation
- Easily modify material gradation by adjusting the front and rear mixing chamber doors, a simple gauge located on the LCD display keeps the operator informed of door position
- Rear rotor chamber door float feature simplifies operation and allows operator to select desired down pressure
- Work efficiently on a variety of reclamation and stabilization projects with three rotor options: Universal, Combination and Spade



# Cat® RM400 Road Reclaimer

---

## Optional Spray Systems Deliver Precise Mix Quality

- Water and emulsion additive systems ensure mix design specifications are met
- Application rate of additives is accurately monitored through a computerized metering system
- A wide range of variable flow rates can be optimized for a variety of applications:
  - Water flow rates from 30-1900 liters per minute (8-500 gallons per minute)
  - Emulsion flow rates from 30-946 liters per minute (8-250 gallons per minute)
- Easily set up the spray system to deliver liquid additives according to specifications:
  - manual or automatic
  - volume per m<sup>2</sup> (yd<sup>2</sup>)
  - percent of material density

## Easier Service, More Uptime

- Ground level access to routine maintenance items simplifies service and improves safety
- Auto-reversing cooling fan helps prevent debris build-up extending maintenance intervals for cleaning the cooling package
- Rotor drive system utilizes automated bearing lubrication
- Self-lubricating rotor chain drive is adjustment-free and eliminates routine maintenance
- Hydraulically-actuated rotor drive clutch does not require adjustment
- Built-in diagnostics monitor machine systems, alert the operator of performance issues and provide troubleshooting information

## Standard and Optional Equipment

Standard and optional equipment may vary. Consult your Cat dealer for details.

	Standard	Optional		Standard	Optional
<b>OPERATOR ENVIRONMENT</b>			<b>ROTOR DRIVE SYSTEM</b>		
Adjustable armrests	✓		Maintenance-free drive shafts	✓	
Air-ride, heated suspension seat	✓		Self-lubricating roller and bearings	✓	
Audio-ready with speakers	✓		Shear disk driveline protection	✓	
Full width sliding cab with heat and air conditioning	✓		Torque limiter driveline protection		✓
Push button start	✓		Automatic depth control	✓	
Illuminated dual-side access ladders	✓		Hydraulically-controlled dry clutch	✓	
High visibility retractable seat belt	✓		Three rotor speeds	✓	
Mini-wheel steering control	✓		Variable volume mixing chamber	✓	
Multifunction propel lever	✓		Rotor – Universal 16		✓
Steering guides	✓		Rotor – Universal 18*		✓
Color touch screen operator interface	✓		Rotor – Combination		✓
Additional color touch screen		✓	Rotor – Spade*		✓
<b>POWERTRAIN</b>			<b>SERVICE AND MAINTENANCE</b>		
Air to Air Aftercooler (ATAAC)	✓		Grouped filters with ground level access	✓	
Dual element air cleaner with pre-cleaner	✓		Cat Product Link™	✓	
Extended life coolant with protection to -37° C (-35° F)	✓		Remote Flash	✓	
On-demand fan with auto-reversing function	✓		Remote access drains	✓	
Four steering modes	✓		Ports for Scheduled Oil Sampling (S·O·S <sup>SM</sup> )	✓	
All-Wheel Drive	✓		Fluid level sight gauges	✓	
Electronic differential	✓		Service light receptacles	✓	
Oil-bath brake system	✓		Air compressor		✓
Powertrain guard	✓		Pneumatic bit removal tool		✓
Bio-friendly hydraulic oil		✓	Toolbox	✓	
<b>ELECTRICAL SYSTEM</b>			<b>SAFETY</b>		
150 amp alternator	✓		Back-up alarm	✓	
24-volt charging system	✓		Front and rear facing cameras	✓	
Automotive-type fuse system	✓		Ground level emergency shutdown switches (3)	✓	
Remote start/charge receptacle	✓		Horn (front and rear)	✓	
1365 CCA maintenance-free batteries (2)	✓		ROPS	✓	
<b>SPRAY SYSTEMS</b>			Platform handrails and guardrails		
Water spray system		✓	Mirrors	✓	
Emulsion spray system		✓	Working lights (halogen or LED)	✓	
Push bar		✓	LED roading lights		✓
			Folding LED safety beacon		✓
			Folding side view cameras (2)		✓
			Front and rear rotor chamber door cameras		✓

\* Not available in all regions. Please consult your local Cat dealer for availability.

# Cat® RM400 Road Reclaimer

## Technical Specifications

### Powertrain

Engine Model	Cat C9.3B	
Engine Power – ISO 9249	310 kW	415.7 hp
Engine Power – ISO 14396	310 kW	415.7 hp
Emissions	– U.S. EPA Tier 4 Final, EU Stage V, Korea Tier 4 Final – Brazil MAR-1, equivalent to U.S. EPA Tier 3 and EU Stage IIIA	
Speed – Operating	0-4.8 km/h	0-2.97 mph
Speed – Travel	11 km/h	6.8 mph

### Machine Weight

Operating Weight (maximum)	26 700 kg	58,863 lb
Operating Weight (standard)	24 953 kg	55,013 lb
Transport Weight	23 500 kg	51,096 lb

Operating weights are approximate and include ROPS, cab, coolant, lubricants, 50% fuel tank and 75 kg (165 lb) operator.

### Service Refill Capacities

Fuel Tank	1056 L	279 gal
Cooling System	62.5 L	16.5 gal
Engine Oil	32 L	8.5 gal
Hydraulic Tank	233 L	61.5 gal
DEF Tank U.S. EPA Tier 4 Final, EU Stage V, Korea Tier 4 Final	70 L	18.5 gal

### Cutting System

3-Speed Direct Drive, Chain Driven		
Rotor Speeds	108 / 134 / 159 rpm	
Cutting Width	2438 mm	96 in
Cutting Depth (maximum) Maximum cutting depth determined by rotor selection	508 mm	20 in

### Rotor Options

Rotor	Width		Diameter		Tools	Maximum Depth	
Universal 16	2438 mm	96 in	1375 mm	54 in	200	406 mm	16 in
Universal 18*	2438 mm	96 in	1525 mm	60 in	200	457 mm	18 in
Combination	2438 mm	96 in	1625 mm	64 in	114	508 mm	20 in
Spade*	2300 mm	90.6 in	1575 mm	62 in	58	457 mm	18 in

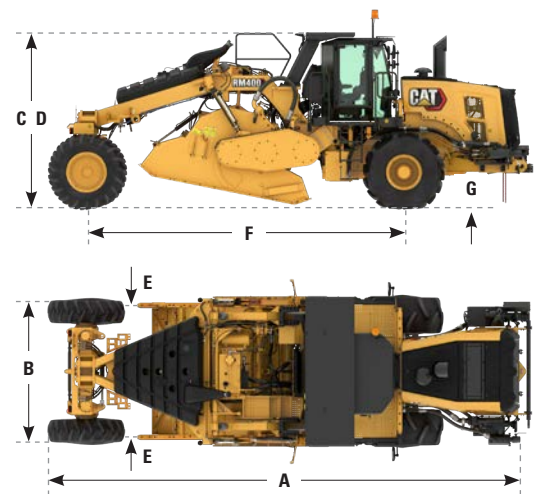
\* Not available in all regions. Please consult your local Cat dealer for availability.

### Spray Systems

Water Spray System – Flow Rate	30-1900 lpm	8-500 gpm
Emulsion Spray System – Flow Rate	30-946 lpm	8-250 gpm

### Dimensions

A Overall Length	9.56 m	31.4 ft
B Overall Width	3.0 m	9.8 ft
C Height at ROPS	3.5 m	11.5 ft
D Transport Height	3.5 m	11.5 ft
E Cutting Width	2.44 m	8 ft
F Wheelbase	6.32 m	20.7 ft
G Ground Clearance	500 mm	19.7 in
Inside Turning Radius (minimum)	4.03 m	13.2 ft
Outside Turning Radius (maximum)	8.3 m	27.1 ft



For more complete information on Cat products, dealer services, and industry solutions, visit us on the web at [www.cat.com](http://www.cat.com)

© 2021 Caterpillar  
All rights reserved

Materials and specifications are subject to change without notice. Featured machines in photos may include additional equipment. See your Cat dealer for available options.

CAT, CATERPILLAR, LET'S DO THE WORK, their respective logos, "Caterpillar Yellow," the "Power Edge" and Cat "Modern Hex" trade dress as well as corporate and product identity used herein, are trademarks of Caterpillar and may not be used without permission.

VisionLink is a trademark of Trimble Navigation Limited, registered in the United States and in other countries.

QEHQ2522-04 (06-2021)  
Build Numbers: 01A  
(Global)

