



980

Wheel Loader

Technical Specifications

Not all attachments available in all regions. Consult your Cat® dealer for specific configurations available in your region.

Table of Contents

Specifications	2
Engine	2
Buckets	2
Weight	2
Operating Specifications	2
Transmission	2
Hydraulic System	3
Brakes	3
Axles	3
Service Refill Capacities	3
Cab	3
Sound	3
Air Conditioning System	3
Dimensions	4
Tire Options	5
Bucket Fill Factors and Selection Guide	7
Operating Specifications – Buckets	9
Standard and Optional Equipment	27

980 Wheel Loader Specifications

Engine – (U.S. EPA Tier 4 Final/EU Stage V)

Engine Model	Cat C13	
Engine Power @ 1,700 rpm ISO 14396:2002	313 kW	420 hp
Gross Power @ 1,700 rpm SAE J1995:2014	317 kW	425 hp
Net Power @ 1,700 rpm ISO 9249:2007, SAE J1349:2011	293 kW	393 hp
Engine Torque (1,200 rpm) ISO 14396:2002	2185 N·m	1,612 lbf-ft
Gross Torque (1,200 rpm) SAE J1995:2014	2206 N·m	1,627 lbf-ft
Net Torque (1,100 rpm) ISO 9249:2007, SAE J1349:2011	2086 N·m	1,539 lbf-ft
Bore	130 mm	5.12 in
Stroke	157 mm	6.18 in
Displacement	12.5 L	763 in ³

- Cat engine meets U.S. EPA Tier 4 Final, EU Stage V, Korea Tier 4 Final and Japan 2014 emission standards.
- The net power advertised is the power available at the flywheel when the engine is equipped with fan, alternator, air cleaner and aftertreatment.

Buckets

Bucket Capacities	4.0-14.5 m ³	5.25-19.0 yd ³
-------------------	-------------------------	---------------------------

Weight

Operating Weight	30 344 kg	66,877 lb
------------------	-----------	-----------

- Weight based on a machine configuration with Bridgestone 29.5R25 VSNT L4 radial tires, full fluids, operator, standard counterweight, ride control, cold start, roading fenders, Product Link™, open differential axles (front/rear), secondary steering, sound suppression and a 5.4 m³ (7.1 yd³) general purpose bucket with BOCE.

Operating Specifications

Static Tipping Load – Full 40° Turn		
With Tire Deflection	19 706 kg	43,432 lb
No Tire Deflection	20 965 kg	46,208 lb
Breakout Force	227 kN	51,008 lbf

- For a machine configuration as defined under “Weight.”
- Full compliance to ISO 14397-1:2007 Sections 1 thru 6, which requires 2% verification between calculations and testing.

Transmission

Forward 1	6.9 km/h	4.3 mph
Forward 2	13.3 km/h	8.3 mph
Forward 3	23.5 km/h	14.6 mph
Forward 4	39.5 km/h	24.5 mph
Reverse 1	7.8 km/h	4.8 mph
Reverse 2	15.2 km/h	9.4 mph
Reverse 3	26.9 km/h	16.7 mph
Reverse 4	39.5 km/h	24.5 mph

- Maximum travel speed in standard vehicle with empty bucket and standard L4 tires with 935 mm (37 in) roll radius.

980 Wheel Loader Specifications

Hydraulic System

Implement Pump Type	Variable Displacement Piston, load sensing	
Implement System:		
Maximum Pump Output (2,250 rpm)	449 L/min	119 gal/min
Maximum Operating Pressure	34 300 kPa	4,975 psi
Optional 3 rd Function Maximum Flow	240 L/min	63 gal/min
Optional 3 rd Function Maximum Pressure at Work Tool	20 684 kPa	3,000 psi
Hydraulic Cycle Time with Rated Payload:		
Raise from Carry Position	5.3 sec	
Dump, at Maximum Raise	1.7 sec	
Lower, Empty, Float Down	3.1 sec	
Total	10.1 sec	

Brakes

Brakes	Brakes meet ISO 3450:2011 standards
--------	-------------------------------------

Axles

Front	Fixed
Rear	Oscillating

Service Refill Capacities

Fuel Tank	426 L	112.5 gal
DEF Tank	21 L	5.5 gal
Cooling System	52 L	13.7 gal
Crankcase	37 L	9.8 gal
Transmission	77 L	20.3 gal
Differentials and Final Drives – Front	84 L	22.2 gal
Differentials and Final Drives – Rear	84 L	22.2 gal
Hydraulic Tank	153 L	40.4 gal

Cab

ROPS/FOPS	ROPS/FOPS meet ISO 3471:2008 and ISO 3449:2005 Level II standards
-----------	--

Sound

With Cooling Fan Speed at Maximum Value:	
Operator Sound Pressure Level (ISO 6396:2008)	72 dB(A)
Exterior Sound Power Level (ISO 6395:2008)	112 dB(A)
Exterior Sound Pressure Level (SAE J88:2013)	78 dB(A)*
*Distance of 15 m (49.2 ft), moving forward in second gear ratio.	
With Cooling Fan Speed at 70% of Maximum Value:**	
Operator Sound Pressure Level (ISO 6396:2008)	72 dB(A)
Exterior Sound Power Level	109 dB(A)***

** For machines in European Union countries and in countries that adopt the “EU Directives.”

*** European Union Directive “2000/14/EC” as amended by “2005/88/EC.”

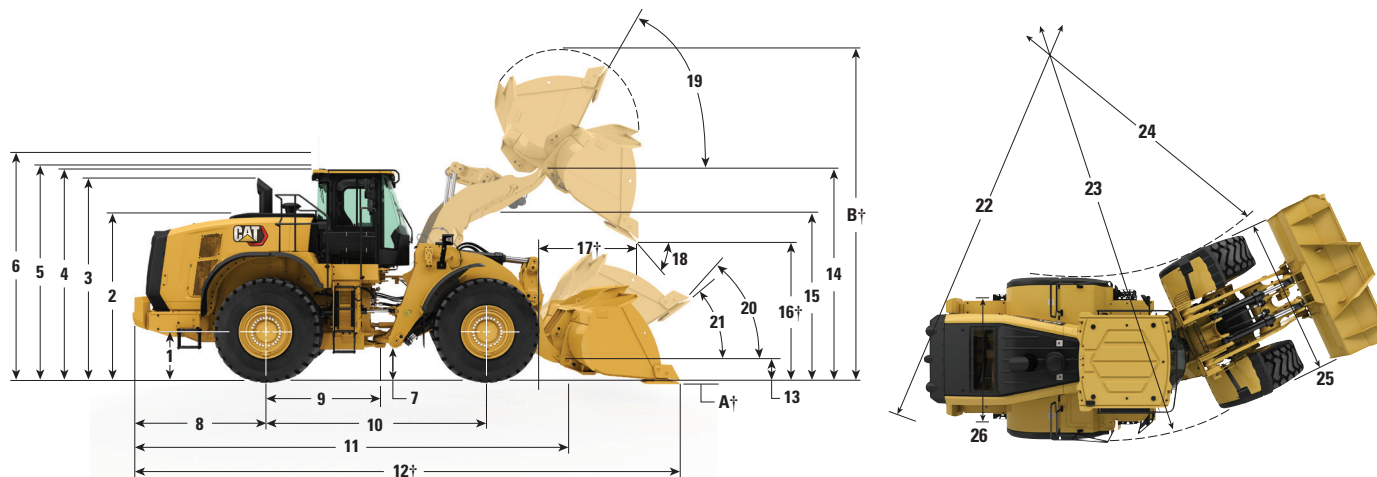
Air Conditioning System

- The air conditioning system on this machine contains the fluorinated greenhouse gas refrigerant R134a (Global Warming Potential = 1430). The system contains 1.6 kg (3.52 lb) of refrigerant which has a CO₂ equivalent 2.288 metric tonnes (2.522 tons).

980 Wheel Loader Specifications

Dimensions

All dimensions are approximate.



	Standard Lift		High Lift	
1 Height to Axle Centerline	899 mm	2'11"	899 mm	2'11"
2 Height to Top of Hood	3064 mm	10'1"	3064 mm	10'1"
3 Height to Top of Exhaust Pipe	3764 mm	12'5"	3764 mm	12'5"
4 Height to Top of ROPS	3829 mm	12'7"	3829 mm	12'7"
5 Height to Top of Product Link Antenna	3835 mm	12'7"	3835 mm	12'7"
6 Height to Top of Warning Beacon	4108 mm	13'6"	4108 mm	13'6"
7 Ground Clearance	456 mm	1'5"	456 mm	1'5"
8 Center Line of Rear Axle to Edge of Counterweight	2661 mm	8'9"	2661 mm	8'9"
9 Center Line of Rear Axle to Hitch	1900 mm	6'3"	1900 mm	6'3"
10 Wheelbase	3800 mm	12'6"	3800 mm	12'6"
11 Overall Length (without bucket)	8155 mm	26'10"	8355 mm	27'5"
12 Shipping Length (with bucket level on ground)*†	9673 mm	31'9"	9875 mm	32'5"
13 Hinge Pin Height at Carry Height	632 mm	2'0"	682 mm	2'2"
14 Hinge Pin Height at Maximum Lift	4554 mm	14'11"	4775 mm	15'7"
15 Lift Arm Clearance at Maximum Lift	3881 mm	12'8"	4125 mm	13'6"
16 Dump Clearance at Maximum Lift and 45° Discharge*†	3287 mm	10'9"	3508 mm	11'6"
17 Reach at Maximum Lift and 45° Discharge*†	1481 mm	4'10"	1484 mm	4'10"
18 Dump Angle at Maximum Lift and Dump (on stops)*	52 degrees		55 degrees	
19 Rack Back at Maximum Lift*	61 degrees		61 degrees	
20 Rack Back at Carry Height*	48 degrees		50 degrees	
21 Rack Back at Ground*	40 degrees		40 degrees	
22 Clearance Circle (dia) to Counterweight	13 692 mm	45'0"	13 692 mm	45'0"
23 Clearance Circle (dia) to Outside of Tires	13 700 mm	45'0"	13 700 mm	45'0"
24 Clearance Circle (dia) to Inside of Tires	7180 mm	23'7"	7180 mm	23'7"
25 Width over Tires (unloaded)	3240 mm	10'8"	3240 mm	10'8"
Width over Tires (loaded)	3260 mm	10'9"	3260 mm	10'9"
26 Tread Width	2440 mm	8'0"	2440 mm	8'0"

†Dimensions are listed in Operating Specifications charts.

All height and tire related dimensions are with Bridgestone 29.5R25 VSNT L4 radial tires (see Tire Option Chart for other tires). "Width over Tires" dimensions are over the bulge and include growth.

• All dimensions are approximate and based on machine equipped with 5.4 m³ (7.1 yd³) general purpose bucket with BOCE and Bridgestone 29.5R25 VSNT L4 radial tires. (see Operating Specifications for other buckets)

980 Wheel Loader Specifications

Tire Options

Tire Brand	Bridgestone	Michelin	Michelin	Michelin	Bridgestone	Michelin
Tire Size	29.5R25	29.5R25	29.5R25	29.5R25	29.5R25	29.5R25
Tread Type	L-4	L-4	L-5	L-5	L-3	L-3
Tread Pattern	VSNT	XLDD1	XLDD2	XMINED2	VJT	XHA2
Width over Tires – Maximum (empty)*	3240 mm 10'8"	3258 mm 10'9"	3256 mm 10'9"	3275 mm 10'9"	3263 mm 10'9"	3270 mm 10'9"
Width over Tires – Maximum (loaded)*	3260 mm 10'9"	3302 mm 10'10"	3296 mm 10'10"	3294 mm 10'10"	3289 mm 10'10"	3296 mm 10'10"
Change in Vertical Dimensions (average of front and rear)		-7 mm -0.3"	-6 mm -0.2"	5 mm 0.2"	-23 mm -0.9"	-40 mm -1.6"
Change in Horizontal Reach		-1 mm 0"	3 mm 0.1"	3 mm 0.1"	20 mm 0.8"	23 mm 0.9"
Change in Clearance Circle to Outside of Tires		42 mm 1.7"	36 mm 1.4"	34 mm 1.3"	29 mm 1.1"	36 mm 1.4"
Change in Clearance Circle to Inside of Tires		-42 mm -1.7"	-36 mm -1.4"	-34 mm -1.3"	-29 mm -1.1"	-36 mm -1.4"
Change in Operating Weight (without Ballast)		-156 kg -344 lb	208 kg 459 lb	532 kg 1,173 lb	-684 kg -1,508 lb	-700 kg -1,544 lb
Change in Static Tipping Load – Straight		-119 kg -262 lb	158 kg 349 lb	405 kg 892 lb	-520 kg -1,147 lb	-532 kg -1,174 lb
Change in Static Tipping Load – Articulated		-103 kg -228 lb	138 kg 304 lb	352 kg 777 lb	-453 kg -998 lb	-463 kg -1,022 lb
Rear Axle Oscillation Angle	±13 degrees	±13 degrees	±13 degrees	±13 degrees	±13 degrees	±13 degrees
Maximum Single-wheel Rise and Fall	549 mm 1'10"	549 mm 1'10"	549 mm 1'10"	549 mm 1'10"	549 mm 1'10"	549 mm 1'10"

*Width over tire bulge and includes tire growth.

Tire Brand	Bridgestone	Bridgestone	Maxam	Maxam	Maxam	Brawler
Tire Size	29.5R25	29.5R25	29.5R25	29.5R25	29.5R25	29.5-25
Tread Type	L-5	L-5	L-3	L-4	L-5	Solid
Tread Pattern	VSNT	VSDL	MS302	MS405DX	MS503	Traction/Smooth
Width over Tires – Maximum (empty)*	3272 mm 10'9"	3250 mm 10'8"	3270 mm 10'9"	3256 mm 10'9"	3268 mm 10'9"	3227 mm 10'8"
Width over Tires – Maximum (loaded)*	3301 mm 10'10"	3275 mm 10'9"	3290 mm 10'10"	3282 mm 10'10"	3304 mm 10'11"	3230 mm 10'8"
Change in Vertical Dimensions (average of front and rear)	4 mm 0.1"	20 mm 0.8"	-19 mm -0.8"	-33 mm -1.3"	-6 mm -0.2"	9 mm 0.4"
Change in Horizontal Reach	0 mm 0"	-10 mm -0.4"	6 mm 0.2"	19 mm 0.7"	-3 mm -0.1"	30 mm 1.2"
Change in Clearance Circle to Outside of Tires	41 mm 1.6"	15 mm 0.6"	30 mm 1.2"	22 mm 0.9"	44 mm 1.7"	-30 mm -1.2"
Change in Clearance Circle to Inside of Tires	-41 mm -1.6"	-15 mm -0.6"	-30 mm -1.2"	-22 mm -0.9"	-44 mm -1.7"	30 mm 1.2"
Change in Operating Weight (without Ballast)	500 kg 1,103 lb	708 kg 1,561 lb	-528 kg -1,164 lb	-388 kg -856 lb	252 kg 556 lb	5772 kg 12,727 lb
Change in Static Tipping Load – Straight	380 kg 838 lb	538 kg 1,187 lb	-402 kg -885 lb	-295 kg -651 lb	192 kg 423 lb	4390 kg 9,679 lb
Change in Static Tipping Load – Articulated	331 kg 730 lb	469 kg 1,033 lb	-350 kg -771 lb	-257 kg -566 lb	167 kg 368 lb	3821 kg 8,425 lb
Rear Axle Oscillation Angle	±13 degrees	±13 degrees	±13 degrees	±13 degrees	±13 degrees	±8 degrees
Maximum Single-wheel Rise and Fall	549 mm 1'10"	549 mm 1'10"	549 mm 1'10"	549 mm 1'10"	549 mm 1'10"	340 mm 1'1"

*Width over tire bulge and includes tire growth.

980 Wheel Loader Specifications

Tire Options

Tire Brand	Michelin	Bridgestone	Bridgestone	Maxam
Tire Size	875/65R29	875/65R29	875/65R29	875/65R29
Tread Type	L-3	L-3	L-4	L-4
Tread Pattern	XHA2	VTS	VLTS	MS405DX
Width over Tires – Maximum (empty)*	3373 mm 11'1"	3341 mm 11'0"	3344 mm 11'0"	3357 mm 11'1"
Width over Tires – Maximum (loaded)*	3384 mm 11'2"	3359 mm 11'1"	3366 mm 11'1"	3382 mm 11'2"
Change in Vertical Dimensions (average of front and rear)	-25 mm -1"	-19 mm -0.8"	-16 mm -0.6"	-34 mm -1.3"
Change in Horizontal Reach	18 mm 0.7"	20 mm 0.8"	19 mm 0.7"	19 mm 0.7"
Change in Clearance Circle to Outside of Tires	124 mm 4.9"	99 mm 3.9"	106 mm 4.2"	122 mm 4.8"
Change in Clearance Circle to Inside of Tires	-124 mm -4.9"	-99 mm -3.9"	-106 mm -4.2"	-122 mm -4.8"
Change in Operating Weight (without Ballast)	-40 kg -88 lb	240 kg 529 lb	316 kg 697 lb	308 kg 679 lb
Change in Static Tipping Load – Straight	-30 kg -67 lb	183 kg 402 lb	240 kg 530 lb	234 kg 516 lb
Change in Static Tipping Load – Articulated	-26 kg -58 lb	159 kg 350 lb	209 kg 461 lb	204 kg 450 lb
Rear Axle Oscillation Angle	±8 degrees	±8 degrees	±8 degrees	±8 degrees
Maximum Single-wheel Rise and Fall	340 mm 1'1"	340 mm 1'1"	340 mm 1'1"	340 mm 1'1"

*Width over tire bulge and includes tire growth.

980 Wheel Loader Specifications

Bucket Fill Factors and Selection Guide

The bucket size must be chosen based on the density of the material and on the expected fill factor. The Cat Performance Series Buckets with longer floor, larger bucket opening, increased repository angle, rounded side boards and integrated spill guard demonstrate fill factors significantly higher than previous generation or non-Cat buckets. The actual volume handled by the machine is thus often larger than the rated capacity.

Loose Material		Fill Factor (%)*	Material Density
Earth/Clay		115	1.5-1.7
Sand and Gravel		115	1.5-1.7
Aggregate:	25-76 mm (1 to 3 in)	110	1.6-1.7
	19 mm (0.75 in) and smaller	105	1.8
Rock:	76 mm (3 in) and larger	100	1.6

*As a % of ISO 7546 rated capacity.

Note: Fill Factors achieved will also depend on whether the product is washed or not washed.

Material Density	kg/m ³	900	1000	1100	1200	1300	1400	1500	1600	1700	1800	1900	2000	2100	2200	2300	2400	
Standard Linkage	Pin On General Purpose	5.4 m ³ (7 yd ³)							6.2 m ³ (8 yd ³)				5.4 m ³ (7 yd ³)					
		5.7 m ³ (7.5 yd ³)							6.6 m ³ (8.5 yd ³)				5.7 m ³ (7.5 yd ³)					
		6 m ³ (7.75 yd ³)							6.9 m ³ (9 yd ³)				6 m ³ (7.75 yd ³)					
		6.4 m ³ (8.25 yd ³)						7.4 m ³ (9.75 yd ³)				6.4 m ³ (8.25 yd ³)						
Standard Linkage	Hook On General Purpose	5.4 m ³ (7 yd ³)							6.2 m ³ (8 yd ³)				5.4 m ³ (7 yd ³)					
		5.7 m ³ (7.5 yd ³)							6.6 m ³ (8.5 yd ³)				5.7 m ³ (7.5 yd ³)					
High Lift	Pin On General Purpose	5.4 m ³ (7 yd ³)							6.2 m ³ (8 yd ³)				5.4 m ³ (7 yd ³)					
		5.7 m ³ (7.5 yd ³)							6.6 m ³ (8.5 yd ³)				5.7 m ³ (7.5 yd ³)					
		6 m ³ (7.75 yd ³)							6.9 m ³ (9 yd ³)				6 m ³ (7.75 yd ³)					
		6.4 m ³ (8.25 yd ³)						7.4 m ³ (9.75 yd ³)				6.4 m ³ (8.25 yd ³)						
Aggregate Handler	Pin On General Purpose	5.4 m ³ (7 yd ³)							6.2 m ³ (8 yd ³)				5.4 m ³ (7 yd ³)					
		5.7 m ³ (7.5 yd ³)							6.6 m ³ (8.5 yd ³)				5.7 m ³ (7.5 yd ³)					
		6 m ³ (7.75 yd ³)							6.9 m ³ (9 yd ³)				6 m ³ (7.75 yd ³)					
		6.4 m ³ (8.25 yd ³)						7.4 m ³ (9.75 yd ³)				6.4 m ³ (8.25 yd ³)						
Material Density	lb/yd ³	1,517	1,685	1,854	2,022	2,191	2,359	2,528	2,696	2,865	3,033	3,202	3,370	3,539	3,707	3,876	4,044	
Bucket Fill Factor																		
115% 110% 105% 100% 95%																		



Note: All buckets are showing Bolt-On Edges.

980 Wheel Loader Specifications

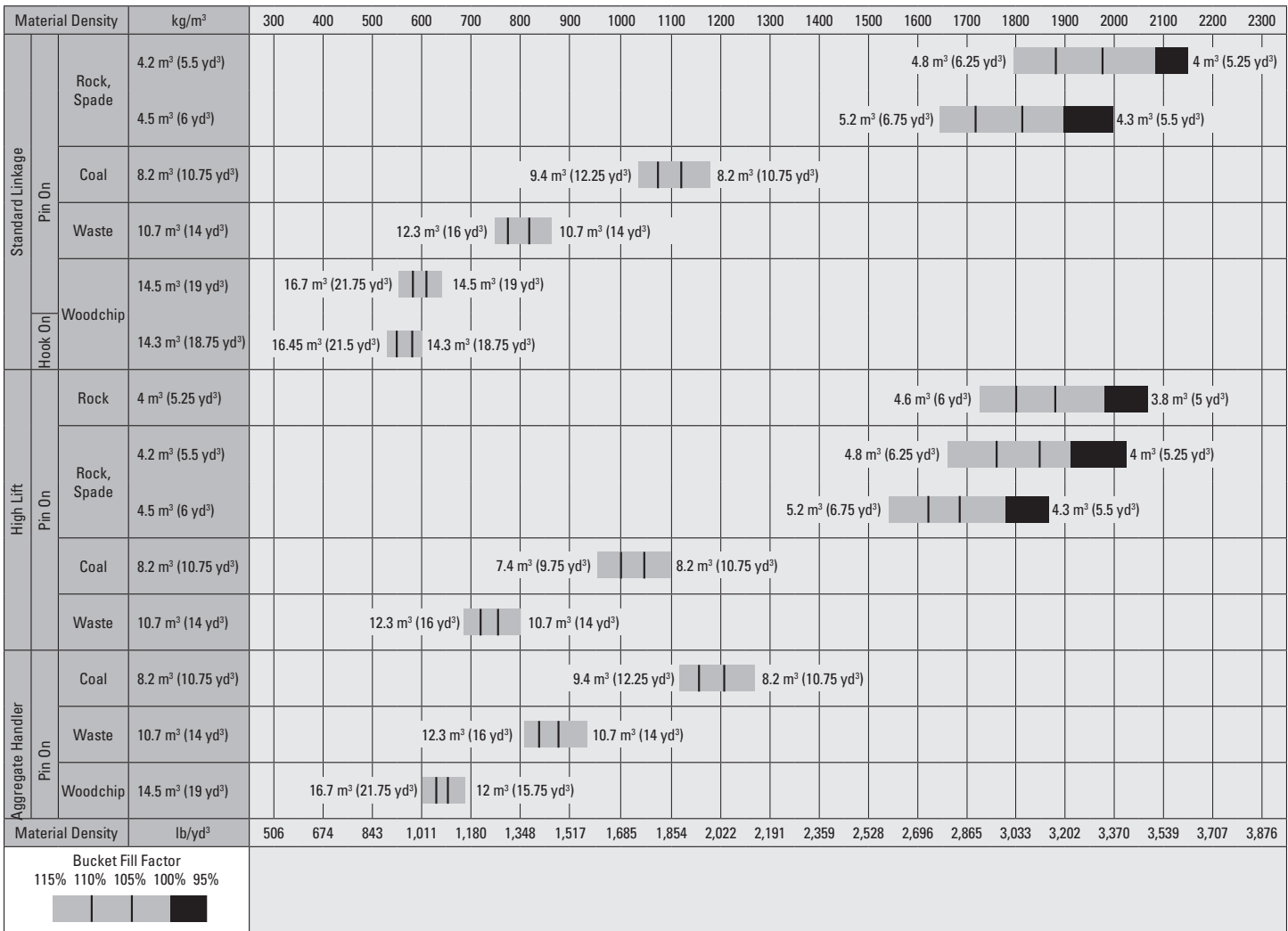
Bucket Fill Factors and Selection Guide

The bucket size must be chosen based on the density of the material and on the expected fill factor. The Cat Performance Series Buckets with longer floor, larger bucket opening, increased repository angle, rounded side boards and integrated spill guard demonstrate fill factors significantly higher than previous generation or non-Cat buckets. The actual volume handled by the machine is thus often larger than the rated capacity.

Loose Material		Fill Factor (%)*	Material Density
Earth/Clay		115	1.5-1.7
Sand and Gravel		115	1.5-1.7
Aggregate:	25-76 mm (1 to 3 in)	110	1.6-1.7
	19 mm (0.75 in) and smaller	105	1.8
Rock:	76 mm (3 in) and larger	100	1.6

*As a % of ISO 7546 rated capacity.

Note: Fill Factors achieved will also depend on whether the product is washed or not washed.



Note: All buckets are showing Bolt-On Edges.

980 Wheel Loader Specifications

Operating Specifications – Buckets

Linkage		Standard Linkage					
Bucket Type		General Purpose – Pin On					
Edge Type		Bolt-On Cutting Edges	Teeth and Segments	Tips	Bolt-On Cutting Edges	Teeth and Segments	Tips
Capacity – Rated	m ³	5.40	5.40	5.00	5.70	5.70	5.30
	yd ³	7.00	7.00	6.50	7.50	7.50	7.00
Capacity – Rated at 110% Fill Factor	m ³	5.90	5.90	5.50	6.30	6.30	5.80
	yd ³	7.75	7.75	7.25	8.25	8.25	7.50
Width	mm	3447	3535	3535	3447	3535	3535
	ft/in	11'3"	11'7"	11'7"	11'3"	11'7"	11'7"
16† Dump Clearance at Maximum Lift and 45° Discharge	mm	3287	3121	3121	3219	3051	3051
	ft/in	10'9"	10'2"	10'2"	10'6"	10'0"	10'0"
17† Reach at Maximum Lift and 45° Discharge	mm	1481	1618	1618	1529	1664	1664
	ft/in	4'10"	5'3"	5'3"	5'0"	5'5"	5'5"
Reach at Level Lift Arm and Bucket Level	mm	2966	3177	3177	3050	3261	3261
	ft/in	9'8"	10'5"	10'5"	10'0"	10'8"	10'8"
A† Digging Depth	mm	88	88	53	88	88	53
	in	3.4"	3.4"	2.1"	3.4"	3.4"	2.1"
12† Overall Length	mm	9673	9915	9915	9757	9999	9999
	ft/in	31'9"	32'7"	32'7"	32'1"	32'10"	32'10"
B† Overall Height with Bucket at Maximum Lift	mm	6435	6435	6435	6258	6258	6258
	ft/in	21'2"	21'2"	21'2"	20'7"	20'7"	20'7"
Loader Clearance Circle Radius with Bucket at Carry Position	mm	7612	7725	7725	7635	7749	7749
	ft/in	25'0"	25'5"	25'5"	25'1"	25'6"	25'6"
Static Tipping Load, Straight (ISO)*	kg	22 809	22 623	23 066	22 564	22 377	22 817
	lb	50,271	49,861	50,839	49,732	49,321	50,288
Static Tipping Load, Straight (Rigid Tire)*	kg	24 219	24 032	24 493	23 977	23 788	24 245
	lb	53,380	52,967	53,984	52,845	52,429	53,436
Static Tipping Load, Articulated (ISO)*	kg	19 706	19 520	19 936	19 478	19 291	19 703
	lb	43,432	43,022	43,939	42,931	42,518	43,427
Static Tipping Load, Articulated (Rigid Tire)*	kg	20 965	20 777	21 209	20 740	20 552	20 979
	lb	46,208	45,794	46,745	45,713	45,296	46,239
Breakout Force (§)	kN	227	224	242	214	211	227
	lbf	51,008	50,477	54,405	48,132	47,613	51,158
Operating Weight*	kg	30 344	30 482	30 307	30 427	30 565	30 390
	lb	66,877	67,182	66,795	67,060	67,365	66,978

* Static tipping loads and operating weights shown are based on a machine configuration with Bridgestone 29.5R25 VSNT L4 radial tires, full fluids, operator, standard counterweight, ride control, cold start, roading fenders, power train guard, secondary steering and sound suppression.

† Illustration shown with Dimension charts.

*** Rock bucket specifications are given on Bridgestone 29.5R25 VSDT L5 Radial tires.

(§) Measured 102 mm (4") behind tip of cutting edge with bucket hinge pin as pivot point in accordance with SAE J732C.

(§) Specifications and ratings conform to all applicable standards recommended by the Society of Automotive Engineers, including SAE Standard J732C governing loader ratings.

(ISO) Full compliance to ISO 14397-1:2007 Sections 1 thru 6, which requires 2% verification between calculations and testing.

(Rigid Tire) Compliance to ISO 14397-1:2007 Sections 1 thru 5.

Other buckets are available and offerings vary by region. Consult your local Cat dealer for further details.

980 Wheel Loader Specifications

Operating Specifications – Buckets *(continued)*

Linkage		Standard Linkage					
Bucket Type		General Purpose – Pin On					
Edge Type		Bolt-On Cutting Edges	Teeth and Segments	Tips	Bolt-On Cutting Edges	Teeth and Segments	Tips
Capacity – Rated	m ³	6.00	6.00	5.80	6.40	6.40	6.10
	yd ³	7.75	7.75	7.50	8.25	8.25	8.00
Capacity – Rated at 110% Fill Factor	m ³	6.60	6.60	6.40	7.00	7.00	6.70
	yd ³	8.75	8.75	8.25	9.25	9.25	8.75
Width	mm	3447	3535	3535	3447	3535	3535
	ft/in	11'3"	11'7"	11'7"	11'3"	11'7"	11'7"
16 † Dump Clearance at Maximum Lift and 45° Discharge	mm	3201	3034	3034	3145	2977	2977
	ft/in	10'6"	9'11"	9'11"	10'3"	9'9"	9'9"
17 † Reach at Maximum Lift and 45° Discharge	mm	1551	1686	1686	1603	1737	1737
	ft/in	5'1"	5'6"	5'6"	5'3"	5'8"	5'8"
Reach at Level Lift Arm and Bucket Level	mm	3078	3289	3289	3155	3366	3366
	ft/in	10'1"	10'9"	10'9"	10'4"	11'0"	11'0"
A † Digging Depth	mm	88	88	53	88	88	53
	in	3.4"	3.4"	2.1"	3.4"	3.4"	2.1"
12 † Overall Length	mm	9785	10 027	10027	9862	10 104	10 104
	ft/in	32'2"	32'11"	32'11"	32'5"	33'2"	33'2"
B † Overall Height with Bucket at Maximum Lift	mm	6284	6284	6284	6604	6604	6604
	ft/in	20'8"	20'8"	20'8"	21'8"	21'8"	21'8"
Loader Clearance Circle Radius with Bucket at Carry Position	mm	7643	7757	7757	7664	7779	7779
	ft/in	25'1"	25'6"	25'6"	25'2"	25'7"	25'7"
Static Tipping Load, Straight (ISO)*	kg	22 424	22 237	22 672	22 253	22 064	22 530
	lb	49,423	49,011	49,970	49,046	48,631	49,657
Static Tipping Load, Straight (Rigid Tire)*	kg	23 839	23 649	24 103	23 676	23 485	23 969
	lb	52,541	52,124	53,123	52,182	51,762	52,829
Static Tipping Load, Articulated (ISO)*	kg	19 343	19 155	19 564	19 183	18 994	19 429
	lb	42,632	42,219	43,119	42,280	41,864	42,822
Static Tipping Load, Articulated (Rigid Tire)*	kg	20 608	20 418	20 843	20 457	20 266	20 717
	lb	45,420	45,002	45,938	45,087	44,667	45,661
Breakout Force (§)	kN	210	207	222	199	197	211
	lbf	47,182	46,666	50,092	44,880	44,374	47,515
Operating Weight*	kg	30 523	30 661	30 486	30 585	30 723	30 548
	lb	67,272	67,577	67,190	67,408	67,713	67,326

* Static tipping loads and operating weights shown are based on a machine configuration with Bridgestone 29.5R25 VSNT L4 radial tires, full fluids, operator, standard counterweight, ride control, cold start, roading fenders, power train guard, secondary steering and sound suppression.

† Illustration shown with Dimension charts.

*** Rock bucket specifications are given on Bridgestone 29.5R25 VSDT L5 Radial tires.

(§) Measured 102 mm (4") behind tip of cutting edge with bucket hinge pin as pivot point in accordance with SAE J732C.

(§) Specifications and ratings conform to all applicable standards recommended by the Society of Automotive Engineers, including SAE Standard J732C governing loader ratings.

(ISO) Full compliance to ISO 14397-1:2007 Sections 1 thru 6, which requires 2% verification between calculations and testing.

(Rigid Tire) Compliance to ISO14397-1:2007 Sections 1 thru 5.

Other buckets are available and offerings vary by region. Consult your local Cat dealer for further details.

980 Wheel Loader Specifications

Operating Specifications – Buckets (continued)

Linkage		Standard Linkage				
Bucket Type		Pin On – Coal	Pin On – Woodchip	Pin On – Waste		Pin On – Waste, Dozing
		Bolt-On Cutting Edges	Bolt-On Cutting Edges	Bolt-On Cutting Edges	Rubber Edge	Bolt-On Cutting Edges
Edge Type						
Capacity – Rated	m ³	8.20	14.50	10.70	10.70	9.90
	yd ³	10.75	19.00	14.00	14.00	13.00
Capacity – Rated at 110% Fill Factor	m ³	9.00	16.00	11.80	11.80	10.90
	yd ³	11.75	21.00	15.50	15.50	14.25
Width	mm	3638	4434	3882	3882	3882
	ft/in	11'11"	14'6"	12'8"	12'8"	12'8"
16 † Dump Clearance at Maximum Lift and 45° Discharge	mm	2931	2739	2834	2755	3067
	ft/in	9'7"	8'11"	9'3"	9'0"	10'0"
17 † Reach at Maximum Lift and 45° Discharge	mm	1625	1802	1693	1620	1460
	ft/in	5'4"	5'10"	5'6"	5'3"	4'9"
Reach at Level Lift Arm and Bucket Level	mm	3336	3597	3453	3457	3123
	ft/in	10'11"	11'9"	11'3"	11'4"	10'2"
A † Digging Depth	mm	93	104	74	74	114
	in	3.6"	4.1"	2.9"	2.9"	4.5"
12 † Overall Length	mm	10 047	10 317	10 181	10 265	9851
	ft/in	33'0"	33'11"	33'5"	33'9"	32'4"
B † Overall Height with Bucket at Maximum Lift	mm	6551	7047	6958	6958	7130
	ft/in	21'6"	23'2"	22'10"	22'10"	23'5"
Loader Clearance Circle Radius with Bucket at Carry Position	mm	7805	8243	7956	7995	7863
	ft/in	25'8"	27'1"	26'2"	26'3"	25'10"
Static Tipping Load, Straight (ISO)*	kg	21 810	21 013	20 785	20 918	23 001
	lb	48,069	46,314	45,810	46,103	50,695
Static Tipping Load, Straight (Rigid Tire)*	kg	23 281	22 640	22 296	22 432	24 756
	lb	51,313	49,898	49,141	49,441	54,563
Static Tipping Load, Articulated (ISO)*	kg	18 738	17 862	17 728	17 861	19 707
	lb	41,300	39,368	39,072	39,366	43,436
Static Tipping Load, Articulated (Rigid Tire)*	kg	20 060	19 328	19 089	19 225	21 287
	lb	44,213	42,600	42,073	42,373	46,917
Breakout Force (§)	kN	177	151	172	170	204
	lbf	39,906	33,932	38,687	38,377	45,993
Operating Weight*	kg	30 931	32 192	31 817	31 733	31 581
	lb	68,171	70,951	70,124	69,939	69,605

* Static tipping loads and operating weights shown are based on a machine configuration with Bridgestone 29.5R25 VSNT L4 radial tires, full fluids, operator, standard counterweight, ride control, cold start, roading fenders, power train guard, secondary steering and sound suppression.

† Illustration shown with Dimension charts.

*** Rock bucket specifications are given on Bridgestone 29.5R25 VSDT L5 Radial tires.

(§) Measured 102 mm (4") behind tip of cutting edge with bucket hinge pin as pivot point in accordance with SAE J732C.

(§) Specifications and ratings conform to all applicable standards recommended by the Society of Automotive Engineers, including SAE Standard J732C governing loader ratings.

(ISO) Full compliance to ISO 14397-1:2007 Sections 1 thru 6, which requires 2% verification between calculations and testing.

(Rigid Tire) Compliance to ISO 14397-1:2007 Sections 1 thru 5.

Other buckets are available and offerings vary by region. Consult your local Cat dealer for further details.

980 Wheel Loader Specifications

Operating Specifications – Buckets (continued)

Linkage		Standard Linkage									
		Flat Floor – Pin On			Flat Floor – Pin On HD BGE	Flat Floor – Pin On – BGE	Flat Floor – Pin On – Light Material				
Bucket Type		Bolt-On Cutting Edges	Teeth and Segments	Tips	Flush Mounted Tips	Flush Mounted Tips	Bolt-On Cutting Edges (Steel)	Bolt-On Cutting Edges (Rubber)	Bolt-On Cutting Edges (Steel)	Bolt-On Cutting Edges (Rubber)	
Edge Type											
Capacity – Rated	m ³	5.70	5.70	5.50	5.60	5.70	9.90	9.90	10.70	10.70	
	yd ³	7.50	7.50	7.25	7.25	7.50	13.00	13.00	14.00	14.00	
Capacity – Rated at 110% Fill Factor	m ³	6.30	6.30	6.10	6.20	6.30	10.90	10.90	11.80	11.80	
	yd ³	8.25	8.25	8.00	8.00	8.25	14.25	14.25	15.50	15.50	
Width	mm	3447	3535	3535	3580	3580	3882	3882	3882	3882	
	ft/in	11'3"	11'7"	11'7"	11'8"	11'8"	12'8"	12'8"	12'8"	12'8"	
16† Dump Clearance at Maximum Lift and 45° Discharge	mm	3120	2943	2943	3216	2976	3067	2989	2834	2755	
	ft/in	10'2"	9'7"	9'7"	10'6"	9'9"	10'0"	9'9"	9'3"	9'0"	
17† Reach at Maximum Lift and 45° Discharge	mm	1444	1566	1566	1389	1627	1460	1387	1693	1620	
	ft/in	4'8"	5'1"	5'1"	4'6"	5'4"	4'9"	4'6"	5'6"	5'3"	
Reach at Level Lift Arm and Bucket Level	mm	3075	3286	3286	2968	3306	3123	3127	3453	3457	
	ft/in	10'1"	10'9"	10'9"	9'8"	10'10"	10'2"	10'3"	11'3"	11'4"	
A† Digging Depth	mm	88	88	53	59	59	74	74	74	74	
	in	3.4"	3.4"	2.1"	2.3"	2.3"	2.9"	2.9"	2.9"	2.9"	
12† Overall Length	mm	9782	10 024	10 024	9652	9991	9851	9935	10 181	10 265	
	ft/in	32'2"	32'11"	32'11"	31'8"	32'10"	32'4"	32'8"	33'5"	33'9"	
B† Overall Height with Bucket at Maximum Lift	mm	6257	6257	6257	6500	6493	7169	7169	6946	6946	
	ft/in	20'7"	20'7"	20'7"	21'4"	21'4"	23'7"	23'7"	22'10"	22'10"	
Loader Clearance Circle Radius with Bucket at Carry Position	mm	7642	7756	7756	7662	7757	7863	7904	7956	7995	
	ft/in	25'1"	25'6"	25'6"	25'2"	25'6"	25'10"	25'12"	26'2"	26'3"	
Static Tipping Load, Straight (ISO)*	kg	22 062	21 878	22 298	21 379	21 422	23 032	23 164	20 900	21 030	
	lb	48,626	48,220	49,146	47,120	47,215	50,762	51,054	46,065	46,350	
Static Tipping Load, Straight (Rigid Tire)*	kg	23 432	23 246	23 682	22 749	22 792	24 808	24 944	22 413	22 545	
	lb	51,644	51,234	52,195	50,139	50,234	54,677	54,978	49,398	49,689	
Static Tipping Load, Articulated (ISO)*	kg	19 030	18 846	19 241	18 321	18 365	19 728	19 860	17 843	17 972	
	lb	41,943	41,536	42,407	40,380	40,476	43,481	43,773	39,327	39,612	
Static Tipping Load, Articulated (Rigid Tire)*	kg	20 254	20 068	20 477	19 543	19 586	21 330	21 466	19 206	19 338	
	lb	44,640	44,230	45,132	43,074	43,169	47,011	47,312	42,330	42,622	
Breakout Force (§)	kN	210	208	223	222	222	213	211	172	171	
	lbf	47,288	46,772	50,212	50,021	50,063	47,906	47,479	38,805	38,491	
Operating Weight*	kg	30 552	30 690	30 515	31 363	31 311	31 478	31 396	31 706	31 623	
	lb	67,336	67,641	67,254	69,123	69,010	69,377	69,196	69,879	69,696	

*Static tipping loads and operating weights shown are based on a machine configuration with Bridgestone 29.5R25 VSNT L4 radial tires, full fluids, operator, standard counterweight, ride control, cold start, roading fenders, power train guard, secondary steering and sound suppression.

† Illustration shown with Dimension charts.

***Rock bucket specifications are given on Bridgestone 29.5R25 VSDT L5 Radial tires.

(§) Measured 102 mm (4") behind tip of cutting edge with bucket hinge pin as pivot point in accordance with SAE J732C.

(§) Specifications and ratings conform to all applicable standards recommended by the Society of Automotive Engineers, including SAE Standard J732C governing loader ratings.

(ISO) Full compliance to ISO 14397-1:2007 Sections 1 thru 6, which requires 2% verification between calculations and testing.

(Rigid Tire) Compliance to ISO 14397-1:2007 Sections 1 thru 5.

Other buckets are available and offerings vary by region. Consult your local Cat dealer for further details.

980 Wheel Loader Specifications

Operating Specifications – Buckets (continued)

Linkage		Standard Linkage					
Bucket Type		Rock, Spade*** – Pin On				Rock, Spade HD*** – Pin On	
Edge Type		Tips	Teeth and Segments	Tips	Teeth and Segments	Tips	Teeth and Segments
Capacity – Rated	m ³	4.20	4.40	4.50	4.70	4.20	4.30
	yd ³	5.50	5.75	6.00	6.25	5.50	5.50
Capacity – Rated at 110% Fill Factor	m ³	4.60	4.80	5.00	5.20	4.60	4.70
	yd ³	6.00	6.25	6.50	6.75	6.00	6.25
Width	mm	3524	3524	3524	3524	3546	3546
	ft/in	11'6"	11'6"	11'6"	11'6"	11'7"	11'7"
16† Dump Clearance at Maximum Lift and 45° Discharge	mm	3132	3132	3133	3133	3223	3223
	ft/in	10'3"	10'3"	10'3"	10'3"	10'6"	10'6"
17† Reach at Maximum Lift and 45° Discharge	mm	1768	1768	1767	1767	1724	1724
	ft/in	5'9"	5'9"	5'9"	5'9"	5'7"	5'7"
Reach at Level Lift Arm and Bucket Level	mm	3279	3279	3278	3278	3184	3184
	ft/in	10'9"	10'9"	10'9"	10'9"	10'5"	10'5"
A† Digging Depth	mm	48	83	48	83	40	75
	in	1.9"	3.2"	1.9"	3.2"	1.5"	2.9"
12† Overall Length	mm	9992	9992	9991	9991	9894	9894
	ft/in	32'10"	32'10"	32'10"	32'10"	32'6"	32'6"
B† Overall Height with Bucket at Maximum Lift	mm	6202	6202	6193	6193	6415	6415
	ft/in	20'5"	20'5"	20'4"	20'4"	21'1"	21'1"
Loader Clearance Circle Radius with Bucket at Carry Position	mm	7740	7740	7739	7739	7721	7721
	ft/in	25'5"	25'5"	25'5"	25'5"	25'4"	25'4"
Static Tipping Load, Straight (ISO)*	kg	23 913	23 435	23 543	23 050	23 696	23 246
	lb	52,705	51,651	51,890	50,804	52,226	51,235
Static Tipping Load, Straight (Rigid Tire)*	kg	25 353	24 871	24 986	24 489	25 210	24 750
	lb	55,879	54,817	55,070	53,974	55,564	54,550
Static Tipping Load, Articulated (ISO)*	kg	20 702	20 232	20 347	19 866	20 430	19 986
	lb	45,628	44,593	44,846	43,784	45,027	44,050
Static Tipping Load, Articulated (Rigid Tire)*	kg	21 985	21 513	21 635	21 149	21 781	21 328
	lb	48,456	47,415	47,683	46,613	48,006	47,007
Breakout Force (§)	kN	230	213	229	212	248	228
	lbf	51,746	47,885	51,543	47,693	55,815	51,417
Operating Weight*	kg	30 729	31 030	31 025	31 327	31 266	31 567
	lb	67,725	68,390	68,378	69,043	68,909	69,574

* Static tipping loads and operating weights shown are based on a machine configuration with Bridgestone 29.5R25 VSNT L4 radial tires, full fluids, operator, standard counterweight, ride control, cold start, roading fenders, power train guard, secondary steering and sound suppression.

† Illustration shown with Dimension charts.

*** Rock bucket specifications are given on Bridgestone 29.5R25 VSDT L5 Radial tires.

(§) Measured 102 mm (4") behind tip of cutting edge with bucket hinge pin as pivot point in accordance with SAE J732C.

(§) Specifications and ratings conform to all applicable standards recommended by the Society of Automotive Engineers, including SAE Standard J732C governing loader ratings.

(ISO) Full compliance to ISO 14397-1:2007 Sections 1 thru 6, which requires 2% verification between calculations and testing.

(Rigid Tire) Compliance to ISO 14397-1:2007 Sections 1 thru 5.

Other buckets are available and offerings vary by region. Consult your local Cat dealer for further details.

980 Wheel Loader Specifications

Operating Specifications – Buckets *(continued)*

Linkage		Standard Linkage						
Bucket Type		Hook On – Fusion™ – General Purpose					Hook On – Fusion – Woodchip	
Edge Type		Bolt-On Cutting Edges	Teeth and Segments	Tips	Bolt-On Cutting Edges	Teeth and Segments	Tips	Bolt-On Cutting Edges
Capacity – Rated	m ³	5.40	5.40	5.00	5.70	5.70	5.30	14.50
	yd ³	7.00	7.00	6.50	7.50	7.50	7.00	19.00
Capacity – Rated at 110% Fill Factor	m ³	5.90	5.90	5.50	6.30	6.30	5.80	16.00
	yd ³	7.75	7.75	7.25	8.25	8.25	7.50	21.00
Width	mm	3447	3535	3535	3447	3535	3535	4433.4
	ft/in	11'3"	11'7"	11'7"	11'3"	11'7"	11'7"	14'6"
16 † Dump Clearance at Maximum Lift and 45° Discharge	mm	3183	3017	3017	3117	2950	2950	2668
	ft/in	10'5"	9'10"	9'10"	10'2"	9'8"	9'8"	8'9"
17 † Reach at Maximum Lift and 45° Discharge	mm	1588	1724	1724	1640	1775	1775	1915
	ft/in	5'2"	5'7"	5'7"	5'4"	5'9"	5'9"	6'3"
Reach at Level Lift Arm and Bucket Level	mm	3116	3327	3327	3200	3411	3411	3727
	ft/in	10'2"	10'11"	10'11"	10'6"	11'2"	11'2"	12'2"
A † Digging Depth	mm	93	93	58	93	93	58	75
	in	3.6"	3.6"	2.3"	3.6"	3.6"	2.3"	2.9"
12 † Overall Length	mm	9827	10 069	10 069	9911	10 153	10 153	10 423
	ft/in	32'3"	33'1"	33'1"	32'7"	33'4"	33'4"	34'3"
B † Overall Height with Bucket at Maximum Lift	mm	6532	6532	6532	6599	6599	6599	7172
	ft/in	21'6"	21'6"	21'6"	21'8"	21'8"	21'8"	23'7"
Loader Clearance Circle Radius with Bucket at Carry Position	mm	7694	7817	7817	7721	7845	7845	8395
	ft/in	25'3"	25'8"	25'8"	25'4"	25'9"	25'9"	27'7"
Static Tipping Load, Straight (ISO)*	kg	21 361	21 177	21 611	21 136	20 950	21 367	18 903
	lb	47,080	46,674	47,631	46,584	46,175	47,094	41,662
Static Tipping Load, Straight (Rigid Tire)*	kg	22 728	22 542	22 996	22 511	22 324	22 757	20 315
	lb	50,092	49,682	50,685	49,615	49,202	50,157	44,774
Static Tipping Load, Articulated (ISO)*	kg	18 354	18 169	18 575	18 140	17 954	18 346	15 989
	lb	40,452	40,046	40,941	39,981	39,572	40,436	35,240
Static Tipping Load, Articulated (Rigid Tire)*	kg	19 576	19 390	19 815	19 372	19 185	19 591	17 262
	lb	43,147	42,737	43,673	42,697	42,284	43,179	38,046
Breakout Force (§)	kN	203	201	216	193	190	204	141
	lbf	45,829	45,315	48,584	43,399	42,894	45,873	31,880
Operating Weight*	kg	31 086	31 224	31 049	31 196	31 334	31 159	32 572
	lb	68,513	68,817	68,431	68,755	69,060	68,673	71,789

* Static tipping loads and operating weights shown are based on a machine configuration with Bridgestone 29.5R25 VSNT L4 radial tires, full fluids, operator, standard counterweight, ride control, cold start, roading fenders, power train guard, secondary steering and sound suppression.

† Illustration shown with Dimension charts.

*** Rock bucket specifications are given on Bridgestone 29.5R25 VSNT L5 Radial tires.

(§) Measured 102 mm (4") behind tip of cutting edge with bucket hinge pin as pivot point in accordance with SAE J732C.

(§) Specifications and ratings conform to all applicable standards recommended by the Society of Automotive Engineers, including SAE Standard J732C governing loader ratings.

(ISO) Full compliance to ISO 14397-1:2007 Sections 1 thru 6, which requires 2% verification between calculations and testing.

(Rigid Tire) Compliance to ISO 14397-1:2007 Sections 1 thru 5.

Other buckets are available and offerings vary by region. Consult your local Cat dealer for further details.

980 Wheel Loader Specifications

Operating Specifications – Buckets (continued)

Linkage		High Lift Linkage					
Bucket Type		General Purpose – Pin On					
Edge Type		Bolt-On Cutting Edges	Teeth and Segments	Tips	Bolt-On Cutting Edges	Teeth and Segments	Tips
Capacity – Rated	m ³	5.40	5.40	5.00	5.70	5.70	5.30
	yd ³	7.00	7.00	6.50	7.50	7.50	7.00
Capacity – Rated at 110% Fill Factor	m ³	5.90	5.90	5.50	6.30	6.30	5.80
	yd ³	7.75	7.75	7.25	8.25	8.25	7.50
Width	mm	3447	3535	3535	3447	3535	3535
	ft/in	11'3"	11'7"	11'7"	11'3"	11'7"	11'7"
16 † Dump Clearance at Maximum Lift and 45° Discharge	mm	3508	3342	3342	3439	3272	3272
	ft/in	11'6"	10'11"	10'11"	11'3"	10'8"	10'8"
17 † Reach at Maximum Lift and 45° Discharge	mm	1484	1621	1621	1532	1667	1667
	ft/in	4'10"	5'3"	5'3"	5'0"	5'5"	5'5"
Reach at Level Lift Arm and Bucket Level	mm	3126	3337	3337	3210	3421	3421
	ft/in	10'3"	10'11"	10'11"	10'6"	11'2"	11'2"
A † Digging Depth	mm	86	86	51	86	86	51
	in	3.4"	3.4"	2"	3.4"	3.4"	2"
12 † Overall Length	mm	9875	10 114	10 114	9959	10 198	10 198
	ft/in	32'5"	33'3"	33'3"	32'9"	33'6"	33'6"
B † Overall Height with Bucket at Maximum Lift	mm	6656	6656	6656	6478	6478	6478
	ft/in	21'11"	21'11"	21'11"	21'4"	21'4"	21'4"
Loader Clearance Circle Radius with Bucket at Carry Position	mm	8114	8226	8226	8137	8250	8250
	ft/in	26'8"	27'0"	27'0"	26'9"	27'1"	27'1"
Static Tipping Load, Straight (ISO)*	kg	20 833	20 650	21 063	20 603	20 419	20 828
	lb	45,917	45,513	46,424	45,410	45,004	45,906
Static Tipping Load, Straight (Rigid Tire)*	kg	22 033	21 849	22 276	21 805	21 619	22 043
	lb	48,562	48,156	49,098	48,058	47,649	48,583
Static Tipping Load, Articulated (ISO)*	kg	18 354	18 171	18 563	18 137	17 953	18 342
	lb	40,453	40,049	40,914	39,975	39,569	40,426
Static Tipping Load, Articulated (Rigid Tire)*	kg	19 430	19 245	19 650	19 215	19 029	19 431
	lb	42,823	42,416	43,309	42,351	41,941	42,826
Breakout Force (§)	kN	230	228	245	217	215	231
	lbf	51,775	51,273	55,258	48,860	48,369	51,964
Operating Weight*	kg	30 477	30 616	30 440	30 560	30 699	30 523
	lb	67,171	67,476	67,089	67,354	67,659	67,272

* Static tipping loads and operating weights shown are based on a machine configuration with Bridgestone 29.5R25 VSNT L4 radial tires, full fluids, operator, standard counterweight, ride control, cold start, roading fenders, power train guard, secondary steering and sound suppression.

† Illustration shown with Dimension charts.

*** Rock bucket specifications are given on Bridgestone 29.5R25 VSDT L5 Radial tires.

(§) Measured 102 mm (4") behind tip of cutting edge with bucket hinge pin as pivot point in accordance with SAE J732C.

(§) Specifications and ratings conform to all applicable standards recommended by the Society of Automotive Engineers, including SAE Standard J732C governing loader ratings.

(ISO) Full compliance to ISO 14397-1:2007 Sections 1 thru 6, which requires 2% verification between calculations and testing.

(Rigid Tire) Compliance to ISO 14397-1:2007 Sections 1 thru 5.

Other buckets are available and offerings vary by region. Consult your local Cat dealer for further details.

980 Wheel Loader Specifications

Operating Specifications – Buckets (continued)

Linkage		High Lift Linkage					
Bucket Type		General Purpose – Pin On					
Edge Type		Bolt-On Cutting Edges	Teeth and Segments	Tips	Bolt-On Cutting Edges	Teeth and Segments	Tips
Capacity – Rated	m ³	6.00	6.00	5.80	6.40	6.40	6.10
	yd ³	7.75	7.75	7.50	8.25	8.25	8.00
Capacity – Rated at 110% Fill Factor	m ³	6.60	6.60	6.40	7.00	7.00	6.70
	yd ³	8.75	8.75	8.25	9.25	9.25	8.75
Width	mm	3447	3535	3535	3447	3535	3535
	ft/in	11'3"	11'7"	11'7"	11'3"	11'7"	11'7"
16† Dump Clearance at Maximum Lift and 45° Discharge	mm	3421	3254	3254	3366	3198	3198
	ft/in	11'2"	10'8"	10'8"	11'0"	10'5"	10'5"
17† Reach at Maximum Lift and 45° Discharge	mm	1554	1688	1688	1606	1740	1740
	ft/in	5'1"	5'6"	5'6"	5'3"	5'8"	5'8"
Reach at Level Lift Arm and Bucket Level	mm	3238	3449	3449	3315	3526	3526
	ft/in	10'7"	11'3"	11'3"	10'10"	11'6"	11'6"
A† Digging Depth	mm	86	86	51	86	86	51
	in	3.4"	3.4"	2"	3.4"	3.4"	2"
12† Overall Length	mm	9987	10 226	10 226	10 064	10 303	10 303
	ft/in	32'10"	33'7"	33'7"	33'1"	33'10"	33'10"
B† Overall Height with Bucket at Maximum Lift	mm	6504	6504	6504	6824	6824	6824
	ft/in	21'5"	21'5"	21'5"	22'5"	22'5"	22'5"
Loader Clearance Circle Radius with Bucket at Carry Position	mm	8144	8258	8258	8166	8279	8279
	ft/in	26'9"	27'2"	27'2"	26'10"	27'2"	27'2"
Static Tipping Load, Straight (ISO)*	kg	20 466	20 282	20 688	20 302	20 117	20 550
	lb	45,108	44,702	45,596	44,747	44,338	45,293
Static Tipping Load, Straight (Rigid Tire)*	kg	21 669	21 483	21 904	21 512	21 324	21 773
	lb	47,760	47,350	48,276	47,413	47,000	47,988
Static Tipping Load, Articulated (ISO)*	kg	18 004	17 820	18 205	17 850	17 664	18 074
	lb	39,682	39,275	40,125	39,342	38,932	39,835
Static Tipping Load, Articulated (Rigid Tire)*	kg	19 084	18 898	19 296	18 937	18 749	19 172
	lb	42,062	41,651	42,530	41,737	41,323	42,255
Breakout Force (§)	kN	213	211	226	202	200	214
	lbf	47,897	47,409	50,884	45,564	45,084	48,270
Operating Weight*	kg	30 656	30 795	30 619	30 718	30 857	30 681
	lb	67,566	67,871	67,484	67,703	68,007	67,621

* Static tipping loads and operating weights shown are based on a machine configuration with Bridgestone 29.5R25 VSNT L4 radial tires, full fluids, operator, standard counterweight, ride control, cold start, roading fenders, power train guard, secondary steering and sound suppression.

† Illustration shown with Dimension charts.

*** Rock bucket specifications are given on Bridgestone 29.5R25 VSDT L5 Radial tires.

(§) Measured 102 mm (4") behind tip of cutting edge with bucket hinge pin as pivot point in accordance with SAE J732C.

(§) Specifications and ratings conform to all applicable standards recommended by the Society of Automotive Engineers, including SAE Standard J732C governing loader ratings.

(ISO) Full compliance to ISO 14397-1:2007 Sections 1 thru 6, which requires 2% verification between calculations and testing.

(Rigid Tire) Compliance to ISO 14397-1:2007 Sections 1 thru 5.

Other buckets are available and offerings vary by region. Consult your local Cat dealer for further details.

980 Wheel Loader Specifications

Operating Specifications – Buckets (continued)

Linkage		High Lift Linkage		
Bucket Type		General Purpose – Pin On – Abrasion		
Edge Type		Bolt-On Cutting Edges	Teeth and Segments	Tips
Capacity – Rated	m ³	6.00	6.00	5.70
	yd ³	7.75	7.75	7.50
Capacity – Rated at 110% Fill Factor	m ³	6.60	6.60	6.30
	yd ³	8.75	8.75	8.25
Width	mm	3447	3546	3546
	ft/in	11'3"	11'7"	11'7"
16† Dump Clearance at Maximum Lift and 45° Discharge	mm	3422	3258	3258
	ft/in	11'2"	10'8"	10'8"
17† Reach at Maximum Lift and 45° Discharge	mm	1553	1688	1688
	ft/in	5'1"	5'6"	5'6"
Reach at Level Lift Arm and Bucket Level	mm	3237	3446	3446
	ft/in	10'7"	11'3"	11'3"
A† Digging Depth	mm	86	86	51
	in	3.4"	3.4"	2"
12† Overall Length	mm	9986	10 221	10 221
	ft/in	32'10"	33'7"	33'7"
B† Overall Height with Bucket at Maximum Lift	mm	6744	6744	6744
	ft/in	22'2"	22'2"	22'2"
Loader Clearance Circle Radius with Bucket at Carry Position	mm	8144	8261	8261
	ft/in	26'9"	27' 2"	27'2"
Static Tipping Load, Straight (ISO)*	kg	20 403	20 245	20 663
	lb	44,968	44,621	45,541
Static Tipping Load, Straight (Rigid Tire)*	kg	21 598	21 439	21 872
	lb	47,604	47,253	48,206
Static Tipping Load, Articulated (ISO)*	kg	17 949	17 791	18 187
	lb	39,560	39,212	40,086
Static Tipping Load, Articulated (Rigid Tire)*	kg	19 022	18 862	19 272
	lb	41,924	41,573	42,476
Breakout Force (§)	kN	213	211	226
	lbf	47,914	47,479	50,911
Operating Weight*	kg	30 655	30 773	30 593
	lb	67,563	67,822	67,427

* Static tipping loads and operating weights shown are based on a machine configuration with Bridgestone 29.5R25 VSNT L4 radial tires, full fluids, operator, standard counterweight, ride control, cold start, roading fenders, power train guard, secondary steering and sound suppression.

† Illustration shown with Dimension charts.

*** Rock bucket specifications are given on Bridgestone 29.5R25 VSDT L5 Radial tires.

(§) Measured 102 mm (4") behind tip of cutting edge with bucket hinge pin as pivot point in accordance with SAE J732C.

(§) Specifications and ratings conform to all applicable standards recommended by the Society of Automotive Engineers, including SAE Standard J732C governing loader ratings.

(ISO) Full compliance to ISO 14397-1:2007 Sections 1 thru 6, which requires 2% verification between calculations and testing.

(Rigid Tire) Compliance to ISO 14397-1:2007 Sections 1 thru 5.

Other buckets are available and offerings vary by region. Consult your local Cat dealer for further details.

980 Wheel Loader Specifications

Operating Specifications – Buckets *(continued)*

Linkage		High Lift Linkage									
Bucket Type		Pin On – Flat Floor			Pin On – Flat Floor HD BGE	Pin On – Flat Floor BGE	Pin On – Flat Floor				
		Bolt-On Cutting Edges	Teeth and Segments	Tips	Flush Mounted Tips	Flush Mounted Tips	Bolt-On Cutting Edges (Steel)	Bolt-On Cutting Edges (Rubber)	Bolt-On Cutting Edges (Steel)	Bolt-On Cutting Edges (Rubber)	
Edge Type											
Capacity – Rated	m ³	5.70	5.70	5.50	5.60	5.70	9.94	9.94	10.70	10.70	
	yd ³	7.50	7.50	7.25	7.25	7.50	13.00	13.00	14.00	14.00	
Capacity – Rated at 110% Fill Factor	m ³	6.30	6.30	6.10	6.20	6.30	10.90	10.90	11.80	11.80	
	yd ³	8.25	8.25	8.00	8.00	8.25	14.25	14.25	15.50	15.50	
Width	mm	3447	3535	3535	3580	3580	3882	3882	3882	3882	
	ft/in	11'3"	11'7"	11'7"	11'8"	11'8"	12'8"	12'8"	12'8"	12'8"	
16† Dump Clearance at Maximum Lift and 45° Discharge	mm	3340	3163	3163	3436	3196	3288	3209	3054	2976	
	ft/in	10'11"	10'4"	10'4"	11'3"	10'5"	10'9"	10'6"	10'0"	9'9"	
17† Reach at Maximum Lift and 45° Discharge	mm	1447	1569	1569	1392	1630	1463	1390	1696	1623	
	ft/in	4'8"	5'1"	5'1"	4'6"	5'4"	4'9"	4'6"	5'6"	5'3"	
Reach at Level Lift Arm and Bucket Level	mm	3235	3446	3446	3128	3466	3283	3287	3613	3617	
	ft/in	10'7"	11'3"	11'3"	10'3"	11'4"	10'9"	10'9"	11'10"	11'10"	
A† Digging Depth	mm	86	86	51	57	57	72	72	72	72	
	in	3.4"	3.4"	2"	2.2"	2.2"	2.8"	2.8"	2.8"	2.8"	
12† Overall Length	mm	9984	10 223	10 223	9855	10 194	10 051	10 129	10 381	10 459	
	ft/in	32'10"	33'7"	33'7"	32'4"	33'6"	33'0"	33'3"	34'1"	34'4"	
B† Overall Height with Bucket at Maximum Lift	mm	6477	6477	6477	6721	6714	7389	7389	7167	7167	
	ft/in	21'3"	21'3"	21'3"	22'1"	22'1"	24'3"	24'3"	23'7"	23'7"	
Loader Clearance Circle Radius with Bucket at Carry Position	mm	8143	8257	8257	8164	8259	8364	8404	8456	8494	
	ft/in	26'9"	27'2"	27'2"	26'10"	27'2"	27'6"	27'7"	27'9"	27'11"	
Static Tipping Load, Straight (ISO)*	kg	20 155	19 973	20 366	19 456	19 500	20 794	20 923	18 938	19 065	
	lb	44,423	44,022	44,888	42,882	42,979	45,831	46,114	41,741	42,020	
Static Tipping Load, Straight (Rigid Tire)*	kg	21 323	21 140	21 546	20 623	20 666	22 274	22 406	20 216	20 345	
	lb	46,996	46,592	47,487	45,453	45,549	49,093	49,384	44,556	44,840	
Static Tipping Load, Articulated (ISO)*	kg	17 730	17 548	17 922	17 011	17 055	18 173	18 302	16 501	16 627	
	lb	39,077	38,677	39,501	37,494	37,590	40,055	40,338	36,368	36,647	
Static Tipping Load, Articulated (Rigid Tire)*	kg	18 777	18 594	18 979	18 056	18 099	19 514	19 646	17 656	17 784	
	lb	41,386	40,982	41,831	39,796	39,891	43,009	43,301	38,914	39,198	
Breakout Force (§)	kN	213	211	227	225	226	216	215	175	174	
	lbf	48,005	47,516	51,005	50,767	50,810	48,670	48,327	39,438	39,194	
Operating Weight*	kg	30 685	30 824	30 648	31 496	31 445	31 611	31 529	31 839	31 756	
	lb	67,630	67,935	67,548	69,418	69,304	69,671	69,490	70,174	69,991	

* Static tipping loads and operating weights shown are based on a machine configuration with Bridgestone 29.5R25 VSNT L4 radial tires, full fluids, operator, standard counterweight, ride control, cold start, roading fenders, power train guard, secondary steering and sound suppression.

† Illustration shown with Dimension charts.

*** Rock bucket specifications are given on Bridgestone 29.5R25 VSDT L5 Radial tires.

(§) Measured 102 mm (4") behind tip of cutting edge with bucket hinge pin as pivot point in accordance with SAE J732C.

(§) Specifications and ratings conform to all applicable standards recommended by the Society of Automotive Engineers, including SAE Standard J732C governing loader ratings.

(ISO) Full compliance to ISO 14397-1:2007 Sections 1 thru 6, which requires 2% verification between calculations and testing.

(Rigid Tire) Compliance to ISO 14397-1:2007 Sections 1 thru 5.

Other buckets are available and offerings vary by region. Consult your local Cat dealer for further details.

980 Wheel Loader Specifications

Operating Specifications – Buckets (continued)

Linkage		High Lift Linkage					
Bucket Type		Pin On – Coal	Pin On – Woodchip	Pin On – Waste		Pin On – Waste, Dozing	Pin On – Rock HD***
		Bolt-On Cutting Edges	Bolt-On Cutting Edges	Bolt-On Cutting Edges	Rubber Edge	Bolt-On Cutting Edges	Bolt-On Cutting Edges
Edge Type							
Capacity – Rated	m ³	8.20	14.50	10.70	10.70	9.90	4.00
	yd ³	10.75	19.00	14.00	14.00	13.00	5.25
Capacity – Rated at 110% Fill Factor	m ³	9.00	16.00	11.80	11.80	10.90	4.40
	yd ³	11.75	21.00	15.50	15.50	14.25	5.75
Width	mm	3638	4434	3882	3882	3882	3405
	ft/in	11'11"	14'6"	12'8"	12'8"	12'8"	11'2"
16 † Dump Clearance at Maximum Lift and 45° Discharge	mm	3152	2960	3054	2976	3288	3710
	ft/in	10'4"	9'8"	10'0"	9'9"	10'9"	12'2"
17 † Reach at Maximum Lift and 45° Discharge	mm	1628	1805	1696	1623	1463	1224
	ft/in	5'4"	5'11"	5'6"	5'3"	4'9"	4'0"
Reach at Level Lift Arm and Bucket Level	mm	3496	3757	3613	3617	3283	2798
	ft/in	11'5"	12'3"	11'10"	11'10"	10'9"	9'2"
A † Digging Depth	mm	91	102	72	72	112	107
	in	3.6"	4"	2.8"	2.8"	4.4"	4.2"
12 † Overall Length	mm	10 248	10 517	10 381	10 459	10 051	9562
	ft/in	33'8"	34'7"	34'1"	34'4"	33'0"	31'5"
B † Overall Height with Bucket at Maximum Lift	mm	6771	7267	7179	7179	7351	6156
	ft/in	22'3"	23'11"	23'7"	23'7"	24'2"	20'3"
Loader Clearance Circle Radius with Bucket at Carry Position	mm	8305	8742	8456	8494	8364	8018
	ft/in	27'3"	28'9"	27'9"	27'11"	27'6"	26'4"
Static Tipping Load, Straight (ISO)*	kg	19 848	18 950	18 824	18 954	20 772	21 333
	lb	43,745	41,766	41,488	41,774	45,782	47,019
Static Tipping Load, Straight (Rigid Tire)*	kg	21 095	20 313	20 100	20 232	22 234	22 514
	lb	46,494	44,770	44,301	44,593	49,005	49,622
Static Tipping Load, Articulated (ISO)*	kg	17 397	16 443	16 386	16 516	18 159	18 799
	lb	38,343	36,242	36,116	36,402	40,022	41,433
Static Tipping Load, Articulated (Rigid Tire)*	kg	18 521	17 677	17 540	17 672	19 481	19 852
	lb	40,820	38,961	38,658	38,950	42,936	43,755
Breakout Force (§)	kN	180	153	175	173	207	295
	lbf	40,529	34,486	39,320	39,080	46,707	66,366
Operating Weight*	kg	31 064	32 325	31 950	31 866	31 715	31 130
	lb	68,465	71,245	70,418	70,233	69,899	68,610

* Static tipping loads and operating weights shown are based on a machine configuration with Bridgestone 29.5R25 VSNT L4 radial tires, full fluids, operator, standard counterweight, ride control, cold start, roading fenders, power train guard, secondary steering and sound suppression.

† Illustration shown with Dimension charts.

*** Rock bucket specifications are given on Bridgestone 29.5R25 VSDT L5 Radial tires.

(§) Measured 102 mm (4") behind tip of cutting edge with bucket hinge pin as pivot point in accordance with SAE J732C.

(§) Specifications and ratings conform to all applicable standards recommended by the Society of Automotive Engineers, including SAE Standard J732C governing loader ratings.

(ISO) Full compliance to ISO 14397-1:2007 Sections 1 thru 6, which requires 2% verification between calculations and testing.

(Rigid Tire) Compliance to ISO14397-1:2007 Sections 1 thru 5.

Other buckets are available and offerings vary by region. Consult your local Cat dealer for further details.

980 Wheel Loader Specifications

Operating Specifications – Buckets (continued)

Linkage			High Lift Linkage				
Bucket Type			Pin On – Rock, Spade***			Pin On – Rock, Spade HD***	
Edge Type		Tips	Teeth and Segments	Tips	Teeth and Segments	Tips	Teeth and Segments
Capacity – Rated	m ³	4.20	4.40	4.50	4.70	4.20	4.30
	yd ³	5.50	5.75	6.00	6.25	5.50	5.50
Capacity – Rated at 110% Fill Factor	m ³	4.60	4.80	5.00	5.20	4.60	4.70
	yd ³	6.00	6.25	6.50	6.75	6.00	6.25
Width	mm	3524	3524	3524	3524	3546	3546
	ft/in	11'6"	11'6"	11'6"	11'6"	11'7"	11'7"
16† Dump Clearance at Maximum Lift and 45° Discharge	mm	3353	3353	3354	3354	3443	3443
	ft/in	11'0"	11'0"	11'0"	11'0"	11'3"	11'3"
17† Reach at Maximum Lift and 45° Discharge	mm	1770	1770	1770	1770	1727	1727
	ft/in	5'9"	5'9"	5'9"	5'9"	5'8"	5'8"
Reach at Level Lift Arm and Bucket Level	mm	3439	3439	3438	3438	3344	3344
	ft/in	11'3"	11'3"	11'3"	11'3"	10'11"	10'11"
A† Digging Depth	mm	46	81	46	81	38	73
	in	1.8"	3.2"	1.8"	3.2"	1.5"	2.8"
12† Overall Length	mm	10 194	10 194	10 192	10 192	10 095	10 095
	ft/in	33'6"	33'6"	33'6"	33'6"	33'2"	33'2"
B† Overall Height with Bucket at Maximum Lift	mm	6422	6422	6414	6414	6636	6636
	ft/in	21'1"	21'1"	21'1"	21'1"	21'10"	21'10"
Loader Clearance Circle Radius with Bucket at Carry Position	mm	8240	8240	8240	8240	8222	8222
	ft/in	27'1"	27'1"	27'1"	27'1"	27'0"	27'0"
Static Tipping Load, Straight (ISO)*	kg	21 867	21 403	21 507	21 030	21 589	21 153
	lb	48,196	47,172	47,402	46,351	47,582	46,621
Static Tipping Load, Straight (Rigid Tire)*	kg	23 094	22 626	22 736	22 254	22 872	22 427
	lb	50,899	49,867	50,110	49,049	50,410	49,429
Static Tipping Load, Articulated (ISO)*	kg	19 302	18 844	18 953	18 485	18 984	18 552
	lb	42,542	41,533	41,774	40,741	41,840	40,890
Static Tipping Load, Articulated (Rigid Tire)*	kg	20 399	19 938	20 053	19 581	20 133	19 693
	lb	44,959	43,944	44,198	43,158	44,374	43,404
Breakout Force (§)	kN	233	216	232	215	252	232
	lbf	52,526	48,615	52,323	48,423	56,658	52,202
Operating Weight*	kg	30 862	31 164	31 158	31 460	31 399	31 701
	lb	68,020	68,685	68,673	69,337	69,203	69,868

* Static tipping loads and operating weights shown are based on a machine configuration with Bridgestone 29.5R25 VSNT L4 radial tires, full fluids, operator, standard counterweight, ride control, cold start, roading fenders, power train guard, secondary steering and sound suppression.

† Illustration shown with Dimension charts.

*** Rock bucket specifications are given on Bridgestone 29.5R25 VSDT L5 Radial tires.

(§) Measured 102 mm (4") behind tip of cutting edge with bucket hinge pin as pivot point in accordance with SAE J732C.

(§) Specifications and ratings conform to all applicable standards recommended by the Society of Automotive Engineers, including SAE Standard J732C governing loader ratings.

(ISO) Full compliance to ISO 14397-1:2007 Sections 1 thru 6, which requires 2% verification between calculations and testing.

(Rigid Tire) Compliance to ISO 14397-1:2007 Sections 1 thru 5.

Other buckets are available and offerings vary by region. Consult your local Cat dealer for further details.

980 Wheel Loader Specifications

Operating Specifications – Buckets *(continued)*

Linkage		Aggregate Handler Linkage					
Bucket Type		General Purpose – Pin On					
Edge Type		Bolt-On Cutting Edges	Teeth and Segments	Tips	Bolt-On Cutting Edges	Teeth and Segments	Tips
Capacity – Rated	m ³	5.40	5.40	5.00	5.70	5.70	5.30
	yd ³	7.00	7.00	6.50	7.50	7.50	7.00
Capacity – Rated at 110% Fill Factor	m ³	5.90	5.90	5.50	6.30	6.30	5.80
	yd ³	7.75	7.75	7.25	8.25	8.25	7.50
Width	mm	3447	3535	3535	3447	3535	3535
	ft/in	11'3"	11'7"	11'7"	11'3"	11'7"	11'7"
16† Dump Clearance at Maximum Lift and 45° Discharge	mm	3287	3121	3121	3219	3051	3051
	ft/in	10'9"	10'2"	10'2"	10'6"	10'0"	10'0"
17† Reach at Maximum Lift and 45° Discharge	mm	1481	1618	1618	1529	1664	1664
	ft/in	4'10"	5'3"	5'3"	5'0"	5'5"	5'5"
Reach at Level Lift Arm and Bucket Level	mm	2966	3177	3177	3050	3261	3261
	ft/in	9'8"	10'5"	10'5"	10'0"	10'8"	10'8"
A† Digging Depth	mm	88	88	53	88	88	53
	in	3.4"	3.4"	2.1"	3.4"	3.4"	2.1"
12† Overall Length	mm	9677	9919	9919	9761	10 003	10 003
	ft/in	31'9"	32'7"	32'7"	32'1"	32'10"	32'10"
B† Overall Height with Bucket at Maximum Lift	mm	6435	6435	6435	6258	6258	6258
	ft/in	21'2"	21'2"	21'2"	20'7"	20'7"	20'7"
Loader Clearance Circle Radius with Bucket at Carry Position	mm	7612	7725	7725	7635	7749	7749
	ft/in	25'0"	25'5"	25'5"	25'1"	25'6"	25'6"
Static Tipping Load, Straight (ISO)*	kg	24 404	24 218	24 676	24 149	23 963	24 416
	lb	53,786	53,377	54,386	53,226	52,814	53,812
Static Tipping Load, Straight (Rigid Tire)*	kg	25 939	25 752	26 229	25 687	25 498	25 971
	lb	57,171	56,758	57,809	56,615	56,199	57,240
Static Tipping Load, Articulated (ISO)*	kg	21 012	20 826	21 254	20 776	20 589	21 013
	lb	46,312	45,902	46,845	45,792	45,380	46,313
Static Tipping Load, Articulated (Rigid Tire)*	kg	22 406	22 218	22 663	22 173	21 984	22 425
	lb	49,383	48,969	49,949	48,870	48,454	49,425
Breakout Force (§)	kN	227	224	242	214	211	227
	lbf	51,008	50,477	54,405	48,132	47,613	51,158
Operating Weight*	kg	30 985	31 123	30 948	31 068	31 206	31 031
	lb	68,290	68,595	68,208	68,473	68,778	68,391

* Static tipping loads and operating weights shown are based on a machine configuration with Bridgestone 29.5R25 VSNT L4 radial tires, full fluids, operator, aggregate counterweight, ride control, cold start, roading fenders, power train guard, secondary steering and sound suppression.

** Aggregate Handler configuration is not compatible with rock buckets, and high lift.

† Illustration shown with Dimension charts.

(§) Measured 102 mm (4") behind tip of cutting edge with bucket hinge pin as pivot point in accordance with SAE J732C.

(§) Specifications and ratings conform to all applicable standards recommended by the Society of Automotive Engineers, including SAE Standard J732C governing loader ratings.

(ISO) Full compliance to ISO 14397-1:2007 Sections 1 thru 6, which requires 2% verification between calculations and testing.

(Rigid Tire) Compliance to ISO 14397-1:2007 Sections 1 thru 5.

Other buckets are available and offerings vary by region. Consult your local Cat dealer for further details.

980 Wheel Loader Specifications

Operating Specifications – Buckets *(continued)*

Linkage		Aggregate Handler Linkage					
Bucket Type		General Purpose – Pin On					
Edge Type		Bolt-On Cutting Edges	Teeth and Segments	Tips	Bolt-On Cutting Edges	Teeth and Segments	Tips
Capacity – Rated	m ³	6.00	6.00	5.80	6.40	6.40	6.10
	yd ³	7.75	7.75	7.50	8.25	8.25	8.00
Capacity – Rated at 110% Fill Factor	m ³	6.60	6.60	6.40	7.00	7.00	6.70
	yd ³	8.75	8.75	8.25	9.25	9.25	8.75
Width	mm	3447	3535	3535	3447	3535	3535
	ft/in	11'3"	11'7"	11'7"	11'3"	11'7"	11'7"
16† Dump Clearance at Maximum Lift and 45° Discharge	mm	3201	3034	3034	3145	2977	2977
	ft/in	10'6"	9'11"	9'11"	10'3"	9'9"	9'9"
17† Reach at Maximum Lift and 45° Discharge	mm	1551	1686	1686	1603	1737	1737
	ft/in	5'1"	5'6"	5'6"	5'3"	5'8"	5'8"
Reach at Level Lift Arm and Bucket Level	mm	3078	3289	3289	3155	3366	3366
	ft/in	10'1"	10'9"	10'9"	10'4"	11'0"	11'0"
A† Digging Depth	mm	88	88	53	88	88	53
	in	3.4"	3.4"	2.1"	3.4"	3.4"	2.1"
12† Overall Length	mm	9789	10 031	10 031	9866	10 108	10 108
	ft/in	32'2"	32'11"	32'11"	32'5"	33'2"	33'2"
B† Overall Height with Bucket at Maximum Lift	mm	6284	6284	6284	6604	6604	6604
	ft/in	20'8"	20'8"	20'8"	21'8"	21'8"	21'8"
Loader Clearance Circle Radius with Bucket at Carry Position	mm	7643	7757	7757	7664	7779	7779
	ft/in	25'1"	25'6"	25'6"	25'2"	25'7"	25'7"
Static Tipping Load, Straight (ISO)*	kg	24 006	23 819	24 268	23 828	23 639	24 121
	lb	52,910	52,498	53,487	52,517	52,102	53,163
Static Tipping Load, Straight (Rigid Tire)*	kg	25 547	25 357	25 826	25 377	25 186	25 688
	lb	56,305	55,888	56,920	55,932	55,512	56,618
Static Tipping Load, Articulated (ISO)*	kg	20 638	20 451	20 871	20 472	20 283	20 732
	lb	45,488	45,074	46,000	45,121	44,705	45,693
Static Tipping Load, Articulated (Rigid Tire)*	kg	22 038	21 849	22 286	21 882	21 691	22 157
	lb	48,572	48,155	49,118	48,228	47,807	48,834
Breakout Force (§)	kN	210	207	222	199	197	211
	lbf	47,182	46,666	50,092	44,880	44,374	47,515
Operating Weight*	kg	31 164	31 302	31 127	31 226	31 364	31 189
	lb	68,685	68,990	68,603	68,822	69,126	68,740

* Static tipping loads and operating weights shown are based on a machine configuration with Bridgestone 29.5R25 VSNT L4 radial tires, full fluids, operator, aggregate counterweight, ride control, cold start, roading fenders, power train guard, secondary steering and sound suppression.

** Aggregate Handler configuration is not compatible with rock buckets, and high lift.

† Illustration shown with Dimension charts.

(§) Measured 102 mm (4") behind tip of cutting edge with bucket hinge pin as pivot point in accordance with SAE J732C.

(§) Specifications and ratings conform to all applicable standards recommended by the Society of Automotive Engineers, including SAE Standard J732C governing loader ratings.

(ISO) Full compliance to ISO 14397-1:2007 Sections 1 thru 6, which requires 2% verification between calculations and testing.

(Rigid Tire) Compliance to ISO 14397-1:2007 Sections 1 thru 5.

Other buckets are available and offerings vary by region. Consult your local Cat dealer for further details.

980 Wheel Loader Specifications

Operating Specifications – Buckets *(continued)*

Linkage		Aggregate Handler Linkage								
		Pin On – Flat Floor			Pin On – Flat Floor HD BGE	Pin On – Flat Floor BGE	Pin On – Flat Floor			
Bucket Type		Bolt-On Cutting Edges	Teeth and Segments	Tips	Flush Mounted Tips	Flush Mounted Tips	Bolt-On Cutting Edges (Steel)	Bolt-On Cutting Edges (Rubber)	Bolt-On Cutting Edges (Steel)	Bolt-On Cutting Edges (Rubber)
Edge Type										
Capacity – Rated	m ³	5.70	5.70	5.50	5.60	5.70	9.90	9.90	10.70	10.70
	yd ³	7.50	7.50	7.25	7.25	7.50	13.00	13.00	14.00	14.00
Capacity – Rated at 110% Fill Factor	m ³	6.30	6.30	6.10	6.20	6.30	10.90	10.90	11.80	11.80
	yd ³	8.25	8.25	8.00	8.00	8.25	14.25	14.25	15.50	15.50
Width	mm	3447	3535	3535	3580	3580	3882	3882	3882	3882
	ft/in	11'3"	11'7"	11'7"	11'8"	11'8"	12'8"	12'8"	12'8"	12'8"
16† Dump Clearance at Maximum Lift and 45° Discharge	mm	3120	2943	2943	3216	2976	3067	2989	2834	2755
	ft/in	10'2"	9'7"	9'7"	10'6"	9'9"	10'0"	9'9"	9'3"	9'0"
17† Reach at Maximum Lift and 45° Discharge	mm	1444	1566	1566	1389	1627	1460	1387	1693	1620
	ft/in	4'8"	5'1"	5'1"	4'6"	5'4"	4'9"	4'6"	5'6"	5'3"
Reach at Level Lift Arm and Bucket Level	mm	3075	3286	3286	2968	3306	3123	3127	3453	3457
	ft/in	10'1"	10'9"	10'9"	9'8"	10'10"	10'2"	10'3"	11'3"	11'4"
A† Digging Depth	mm	88	88	53	59	59	74	74	74	74
	in	3.4"	3.4"	2.1"	2.3"	2.3"	2.9"	2.9"	2.9"	2.9"
12† Overall Length	mm	9786	10 028	10 028	9656	9995	9854	9939	10 184	10 269
	ft/in	32'2"	32'11"	32'11"	31'9"	32'10"	32'4"	32'8"	33'5"	33'9"
B† Overall Height with Bucket at Maximum Lift	mm	6257	6257	6257	6500	6493	7169	7169	6946	6946
	ft/in	20'7"	20'7"	20'7"	21'4"	21'4"	23'7"	23'7"	22'10"	22'10"
Loader Clearance Circle Radius with Bucket at Carry Position	mm	7642	7756	7756	7662	7757	7863	7904	7956	7995
	ft/in	25'1"	25'6"	25'6"	25'2"	25'6"	25'10"	26'0"	26'2"	26'3"
Static Tipping Load, Straight (ISO)*	kg	23 621	23 437	23 870	22 951	22 995	24 706	24 839	22 458	22 587
	lb	52,061	51,655	52,609	50,585	50,681	54,453	54,745	49,498	49,782
Static Tipping Load, Straight (Rigid Tire)*	kg	25 111	24 925	25 376	24 443	24 486	26 646	26 783	24 108	24 240
	lb	55,346	54,936	55,928	53,874	53,968	58,729	59,030	53,134	53,425
Static Tipping Load, Articulated (ISO)*	kg	20 307	20 122	20 528	19 609	19 653	21 095	21 227	19 116	19 245
	lb	44,757	44,350	45,244	43,219	43,315	46,493	46,785	42,132	42,417
Static Tipping Load, Articulated (Rigid Tire)*	kg	21 661	21 475	21 896	20 962	21 005	22 869	23 006	20 625	20 758
	lb	47,741	47,330	48,259	46,202	46,296	50,405	50,705	45,459	45,750
Breakout Force(§)	kN	210	208	223	222	222	213	211	172	171
	lbf	47,288	46,772	50,212	50,021	50,063	47,906	47,479	38,805	38,491
Operating Weight*	kg	31 193	31 331	31 156	32 004	31 953	32 119	32 037	32 347	32 264
	lb	68,749	69,054	68,667	70,537	70,423	70,790	70,609	71,293	71,110

* Static tipping loads and operating weights shown are based on a machine configuration with Bridgestone 29.5R25 VSNT L4 radial tires, full fluids, operator, aggregate counterweight, ride control, cold start, roading fenders, power train guard, secondary steering and sound suppression.

** Aggregate Handler configuration is not compatible with rock buckets, and high lift.

† Illustration shown with Dimension charts.

(§) Measured 102 mm (4") behind tip of cutting edge with bucket hinge pin as pivot point in accordance with SAE J732C.

(§) Specifications and ratings conform to all applicable standards recommended by the Society of Automotive Engineers, including SAE Standard J732C governing loader ratings.

(ISO) Full compliance to ISO 14397-1:2007 Sections 1 thru 6, which requires 2% verification between calculations and testing.

(Rigid Tire) Compliance to ISO 14397-1:2007 Sections 1 thru 5.

Other buckets are available and offerings vary by region. Consult your local Cat dealer for further details.

980 Wheel Loader Specifications

Operating Specifications – Buckets (continued)

Linkage		Aggregate Handler Linkage				
Bucket Type		Pin On – Coal	Pin On – Woodchip	Pin On – Waste		Pin On – Waste, Dozing
Edge Type		Bolt-On Cutting Edges	Bolt-On Cutting Edges	Bolt-On Cutting Edges	Rubber Edges	Bolt-On Cutting Edges
Capacity – Rated	m ³	8.20	14.50	10.70	10.70	9.90
	yd ³	10.75	19.00	14.00	14.00	13.00
Capacity – Rated at 110% Fill Factor	m ³	9.00	16.00	11.80	11.80	10.90
	yd ³	11.75	21.00	15.50	15.50	14.25
Width	mm	3638	4434	3882	3882	3882
	ft/in	11'11"	14'6"	12'8"	12'8"	12'8"
16 † Dump Clearance at Maximum Lift and 45° Discharge	mm	2931	2739	2834	2755	3067
	ft/in	9'7"	8'11"	9'3"	9'0"	10'0"
17 † Reach at Maximum Lift and 45° Discharge	mm	1625	1802	1693	1620	1460
	ft/in	5'4"	5'10"	5'6"	5'3"	4'9"
Reach at Level Lift Arm and Bucket Level	mm	3336	3597	3453	3457	3123
	ft/in	10'11"	11'9"	11'3"	11'4"	10'2"
A † Digging Depth	mm	93	104	74	74	114
	in	3.6"	4.1"	2.9"	2.9"	4.5"
12 † Overall Length	mm	10 051	10 321	10 184	10 269	9854
	ft/in	33'0"	33'11"	33'5"	33'9"	32'4"
B † Overall Height with Bucket at Maximum Lift	mm	6551	7047	6958	6958	7130
	ft/in	21'6"	23'2"	22'10"	22'10"	23'5"
Loader Clearance Circle Radius with Bucket at Carry Position	mm	7805	8243	7956	7995	7863
	ft/in	25'8"	27'1"	26'2"	26'3"	25'10"
Static Tipping Load, Straight (ISO)*	kg	23 380	22 613	22 342	22 475	24 672
	lb	51,530	49,840	49,243	49,536	54,378
Static Tipping Load, Straight (Rigid Tire)*	kg	24 984	24 390	23 991	24 127	26 590
	lb	55,065	53,756	52,876	53,176	58,604
Static Tipping Load, Articulated (ISO)*	kg	20 023	19 168	19 000	19 133	21 072
	lb	44,131	42,248	41,878	42,171	46,443
Static Tipping Load, Articulated (Rigid Tire)*	kg	21 486	20 794	20 509	20 645	22 823
	lb	47,356	45,831	45,202	45,502	50,302
Breakout Force (§)	kN	177	151	172	170	204
	lbf	39,906	33,932	38,687	38,377	45,993
Operating Weight*	kg	31 572	32 833	32 458	32 374	32 223
	lb	69,584	72,364	71,537	71,352	71,018

* Static tipping loads and operating weights shown are based on a machine configuration with Bridgestone 29.5R25 VSNT L4 radial tires, full fluids, operator, aggregate counterweight, ride control, cold start, roading fenders, power train guard, secondary steering and sound suppression.

** Aggregate Handler configuration is not compatible with rock buckets, and high lift.

† Illustration shown with Dimension charts.

(§) Measured 102 mm (4") behind tip of cutting edge with bucket hinge pin as pivot point in accordance with SAE J732C.

(§) Specifications and ratings conform to all applicable standards recommended by the Society of Automotive Engineers, including SAE Standard J732C governing loader ratings.

(ISO) Full compliance to ISO 14397-1:2007 Sections 1 thru 6, which requires 2% verification between calculations and testing.

(Rigid Tire) Compliance to ISO 14397-1:2007 Sections 1 thru 5.

Other buckets are available and offerings vary by region. Consult your local Cat dealer for further details.

980 Wheel Loader Specifications

Operating Specifications – Buckets *(continued)*

Linkage		Aggregate Handler Linkage					
Bucket Type		Hook On – Fusion – General Purpose					
Edge Type		Bolt-On Cutting Edges	Teeth and Segments	Tips	Bolt-On Cutting Edges	Teeth and Segments	Tips
Capacity – Rated	m ³	5.40	5.40	5.00	5.70	5.70	5.30
	yd ³	7.00	7.00	6.50	7.50	7.50	7.00
Capacity – Rated at 110% Fill Factor	m ³	5.90	5.90	5.50	6.30	6.30	5.80
	yd ³	7.75	7.75	7.25	8.25	8.25	7.50
Width	mm	3447	3535	3535	3447	3535	3535
	ft/in	11'3"	11'7"	11'7"	11'3"	11'7"	11'7"
16† Dump Clearance at Maximum Lift and 45° Discharge	mm	3183	3017	3017	3117	2950	2950
	ft/in	10'5"	9'10"	9'10"	10'2"	9'8"	9'8"
17† Reach at Maximum Lift and 45° Discharge	mm	1588	1724	1724	1640	1775	1775
	ft/in	5'2"	5'7"	5'7"	5'4"	5'9"	5'9"
Reach at Level Lift Arm and Bucket Level	mm	3116	3327	3327	3200	3411	3411
	ft/in	10'2"	10'11"	10'11"	10'6"	11'2"	11'2"
A† Digging Depth	mm	93	93	58	93	93	58
	in	3.6"	3.6"	2.3"	3.6"	3.6"	2.3"
12† Overall Length	mm	9831	10 072	10 072	9915	10 156	10 156
	ft/in	32'4"	33'1"	33'1"	32'7"	33'4"	33'4"
B† Overall Height with Bucket at Maximum Lift	mm	6532	6532	6532	6599	6599	6599
	ft/in	21'6"	21'6"	21'6"	21'8"	21'8"	21'8"
Loader Clearance Circle Radius with Bucket at Carry Position	mm	7694	7817	7817	7721	7845	7845
	ft/in	25'3"	25'8"	25'8"	25'4"	25'9"	25'9"
Static Tipping Load, Straight (ISO)*	kg	22 905	22 721	23169	22 672	22 487	22 917
	lb	50,483	50,078	51,065	49,970	49,561	50,509
Static Tipping Load, Straight (Rigid Tire)*	kg	24 393	24 207	24 678	24 170	23 983	24 431
	lb	53,763	53,353	54,391	53,271	52,858	53,845
Static Tipping Load, Articulated (ISO)*	kg	19 618	19 434	19 851	19 398	19 212	19 615
	lb	43,239	42,833	43,753	42,753	42,344	43,232
Static Tipping Load, Articulated (Rigid Tire)*	kg	20 971	20 785	21 223	20 762	20 574	20 993
	lb	46,221	45,812	46,777	45,759	45,346	46,268
Breakout Force (§)	kN	203	201	216	193	190	204
	lbf	45,829	45,315	48,584	43,399	42,894	45,873
Operating Weight*	kg	31 727	31 865	31 690	31 837	31 975	31 800
	lb	69,926	70,231	69,844	70,168	70,473	70,086

* Static tipping loads and operating weights shown are based on a machine configuration with Bridgestone 29.5R25 VSNT L4 radial tires, full fluids, operator, aggregate counterweight, ride control, cold start, roading fenders, power train guard, secondary steering and sound suppression.

** Aggregate Handler configuration is not compatible with rock buckets, and high lift.

† Illustration shown with Dimension charts.

(§) Measured 102 mm (4") behind tip of cutting edge with bucket hinge pin as pivot point in accordance with SAE J732C.

(§) Specifications and ratings conform to all applicable standards recommended by the Society of Automotive Engineers, including SAE Standard J732C governing loader ratings.

(ISO) Full compliance to ISO 14397-1:2007 Sections 1 thru 6, which requires 2% verification between calculations and testing.

(Rigid Tire) Compliance to ISO 14397-1:2007 Sections 1 thru 5.

Other buckets are available and offerings vary by region. Consult your local Cat dealer for further details.

980 Wheel Loader Specifications

Operating Specifications – Buckets *(continued)*

Linkage		Aggregate Handler Linkage
Bucket Type		Hook On – Fusion – Woodchip
Edge Type		Bolt-On Cutting Edges
Capacity – Rated	m ³	14.50
	yd ³	19.00
Capacity – Rated at 110% Fill Factor	m ³	16.00
	yd ³	21.00
Width	mm	4433
	ft/in	14'6"
16† Dump Clearance at Maximum Lift and 45° Discharge	mm	2668
	ft/in	8'9"
17† Reach at Maximum Lift and 45° Discharge	mm	1915
	ft/in	6'3"
Reach at Level Lift Arm and Bucket Level	mm	3727
	ft/in	12'2"
A† Digging Depth	mm	75
	in	2.9"
12† Overall Length	mm	10 427
	ft/in	34'3"
B† Overall Height with Bucket at Maximum Lift	mm	7172
	ft/in	23'7"
Loader Clearance Circle Radius with Bucket at Carry Position	mm	8395
	ft/in	27'7"
Static Tipping Load, Straight (ISO)*	kg	20 387
	lb	44,935
Static Tipping Load, Straight (Rigid Tire)*	kg	21 928
	lb	48,331
Static Tipping Load, Articulated (ISO)*	kg	17 202
	lb	37,913
Static Tipping Load, Articulated (Rigid Tire)*	kg	18 613
	lb	41,024
Breakout Force (§)	kN	141
	lbf	31,880
Operating Weight*	kg	33 214
	lb	73,202

* Static tipping loads and operating weights shown are based on a machine configuration with Bridgestone 29.5R25 VSNT L4 radial tires, full fluids, operator, aggregate counterweight, ride control, cold start, roading fenders, power train guard, secondary steering and sound suppression.

** Aggregate Handler configuration is not compatible with rock buckets, and high lift.

† Illustration shown with Dimension charts.

(§) Measured 102 mm (4") behind tip of cutting edge with bucket hinge pin as pivot point in accordance with SAE J732C.

(§) Specifications and ratings conform to all applicable standards recommended by the Society of Automotive Engineers, including SAE Standard J732C governing loader ratings.

(ISO) Full compliance to ISO 14397-1:2007 Sections 1 thru 6, which requires 2% verification between calculations and testing.

(Rigid Tire) Compliance to ISO 14397-1:2007 Sections 1 thru 5.

Other buckets are available and offerings vary by region. Consult your local Cat dealer for further details.

980 Wheel Loader Specifications

Standard and Optional Equipment

Standard and optional equipment may vary. Consult your Cat dealer for details.

	Standard	Optional		Standard	Optional
OPERATOR ENVIRONMENT			HYDRAULICS		
Cab, pressurized, sound suppression	✓		Implement system, load sensing with variable displacement piston pump	✓	
Door, remote opening system	✓		Steering system, load sensing with dedicated variable displacement piston pump	✓	
EH implement controls, parking brake	✓		Ride control, dual accumulators	✓	
HMU steering wheel		✓	3 rd auxiliary function with ride control		✓
Steering, joystick	✓		Oil sampling valves, Cat XT™ hoses	✓	
Monitored seat belt	✓		Quick coupler control		✓
4-point seat belt		✓	POWERTRAIN		
Entertainment radio (FM, AM, USB, Bluetooth®)		✓	Cat C13 engine	✓	
Entertainment radio (DAB+)		✓	Electric fuel priming pump	✓	
CB radio ready		✓	Fuel-water separator and secondary fuel filter	✓	
Seat, cloth, air suspension	✓		Engine, air precleaner	✓	
Seat, suede/cloth, air suspension, heated		✓	Turbine, air precleaner		✓
Seat, leather/cloth, air suspension, heated/cooled		✓	Radiator, high debris		✓
Touchscreen display	✓		Cooling fan, reversible		✓
Visibility: mirrors, rear-vision camera	✓		Axles, open differentials	✓	
360° vision system		✓	Axles, limited slip differential(s)		✓
Cat Detect rear radar system		✓	Axles, ecology drains, AOC ready, extreme temperature seals		✓
Dedicated rearview screen		✓	Axles, oil cooler		✓
Mirrors, heated		✓	Transmission, planetary, automatic power shift	✓	
Air conditioner, heater, defroster (auto temp, fan)	✓		Torque converter with lock-up	✓	
Sun visor, front, retractable	✓		Heavy-duty transmission		✓
Sun visor, rear, retractable	✓		Service brakes, hydraulic, fully enclosed wet disc, wear indicators	✓	
Window cleaning platform, front	✓		Integrated Braking System (IBS)	✓	
Windows, front, safety laminated rounded glass	✓		Park brake, caliper on front axles, spring applied-pressure released	✓	
Windows, front, heavy-duty, or full guards		✓	ELECTRICAL		
ON-BOARD TECHNOLOGIES*			Starting and charging system, 24V	✓	
Cat Payload Scale	✓		Starter, electric, heavy-duty	✓	
Autodig with Auto Set Tires	✓		Cold start, 120V or 240V		✓
Operator ID & machine security	✓		Lights: halogen, 4 work lights, 2 front roading lights with turn signals, 2 rear-vision lights	✓	
Application Profiles	✓		Lights: LED		✓
Job Aids	✓		Seat belt monitoring beacon		✓
Controls Help and eOMM	✓		Warning beacon		✓
Cat Advanced Payload		✓	Reversing strobe lights		✓
Cat Payload Printer		✓			

*Not legal for trade.

(continued on next page)

980 Wheel Loader Specifications

Standard and Optional Equipment *(continued)*

Standard and optional equipment may vary. Consult your Cat dealer for details.

	Standard	Optional		Standard	Optional
MONITORING SYSTEM			SPECIAL CONFIGURATIONS		
Front dash with analog gauges, LCD display, and warning lights	✓		Aggregate handler		✓
Primary touchscreen monitor (Cat Payload, quad screens, machine settings & messages)	✓		Waste and scrap		✓
LINKAGE			Forestry		✓
Standard lift, Z-bar	✓		Steel mill		✓
High lift, Z-bar		✓	Block handler		✓
Kickouts: lift and tilt	✓				
ADDITIONAL EQUIPMENT					
Cat Autolube system		✓			
Fenders, extensions or roading		✓			
Guards: powertrain, crankcase, cab, cylinders, rear		✓			
Biodegradable hydraulic oil		✓			
High-speed oil change system		✓			
Rear cab access		✓			
Fast fill fuel tank		✓			
Toolbox		✓			
Wheel chocks		✓			
Secondary steering system, electrical		✓			

980 Wheel Loader Specifications



オフロード法2014年
基準適合

For more complete information on Cat products, dealer services, and industry solutions, visit us on the web at www.cat.com.

Materials and specifications are subject to change without notice. Featured machines in photos may include additional equipment. See your Cat dealer for available options.

© 2021 Caterpillar. All Rights Reserved. CAT, CATERPILLAR, LET'S DO THE WORK, their respective logos, Product Link, Fusion, XT, "Caterpillar Corporate Yellow", the "Power Edge" and Cat "Modern Hex" trade dress as well as corporate and product identity used herein, are trademarks of Caterpillar and may not be used without permission.

AEXQ3161-00 (3-2021)
Build Number: 14A
(N Am, Eur, Jpn, Korea)

