

374F L

Hydraulic Excavator

2017



Engine

Engine Model	Cat® C15 ACERT™	
Power – ISO 14396	362 kW	485 hp
Power – ISO 9249	352 kW	472 hp

Drive

Maximum Travel Speed	4.1 km/h	2.6 mph
Maximum Drawbar Pull	492 kN	110,700 lbf

Weights

Operating Weight – Minimum	70 970 kg	156,461 lb
Operating Weight – Maximum	74 958 kg	165,254 lb

The 374F L is built to keep your production numbers up and your owning and operating costs down.

Not only does the machine's C15 ACERT engine meet U.S. EPA Tier 4 Final emission standards, but it does so while giving you all the power, fuel efficiency, and reliability you need to succeed.

Where the real power comes in is through advanced hydraulics and the new Adaptive Control System (ACS) valve. The ACS valve and other integrated components allow you to move tons of material all day long with a great deal of speed, precision, and efficiency. In fact, the hydraulic system and engine team worked together to lower fuel consumption up to 30% – with zero impact on your productivity – compared to 374D L.

When you add in a quiet operator environment that keeps you comfortable and productive, service points that make your routine maintenance quick and easy, and multiple Cat work tools that help you do a number of jobs very well, you simply won't find a better machine in this size class.

Contents

Reliable and Productive.....	4
Fuel Efficient.....	6
Easy to Operate.....	8
Durable Structures.....	10
Durable Linkages.....	11
Versatile.....	12
Cat Connect Technologies.....	14
Safe Work Environment.....	16
Serviceable.....	17
Sustainable.....	18
Complete Customer Care.....	18
Specifications.....	19
Standard Equipment.....	29
Optional Equipment.....	30
Notes.....	31





Reliable and Productive

Power to move your material with speed and precision



Hydraulic Horsepower, a Cat Advantage

Hydraulic horsepower is the actual machine power available to do work through implements and work tools. It's much more than just the engine power under the hood – it's a core strength that differentiates Cat machines from other brands. In fact, pump and other system components work to put more power to the ground, in a highly controlled, user-friendly way. This means you will move more material in less time and keep more money in your pocket at the end of the day.

Control Like No Other

The new Cat Adaptive Control System (ACS) valve optimizes performance by intelligently managing restrictions and flows to control machine motion, which means your operators will have the power and precision they need and expect. It opens slowly when your range of joystick lever movement is small and opens rapidly when movement is high. It smartly puts flow exactly where you need it when you need it, which leads to smoother operation, greater efficiency, and lower fuel consumption.



Auxiliary Hydraulics for Added Versatility

Auxiliary hydraulics give you greater tool versatility so you can take on more work with just one machine, and there are several options from which you can choose. A quick coupler circuit, for example, allows you to switch from one tool to another in a matter of minutes.

Fuel Efficient

Engineered to lower your operating costs



The Cat C15 ACERT engine meets Tier 4 Final emission standards and it does so without interrupting your job process. Simply turn the engine on and go to work. It will look for opportunities in your work cycle to regenerate itself, and it will give you plenty of power for the task at hand – all to help keep your owning and operating costs to an absolute minimum.

A Smart Design for Any Temperature

The 374F L features a side-by-side cooling system that allows you to put the machine to work in extremely hot and cold conditions. The system is completely separated from the engine compartment to reduce noise and heat. Plus it features easy-to-clean cores and a new variable-speed fan that reverses to blow out unwanted debris that may accumulate during your work day.

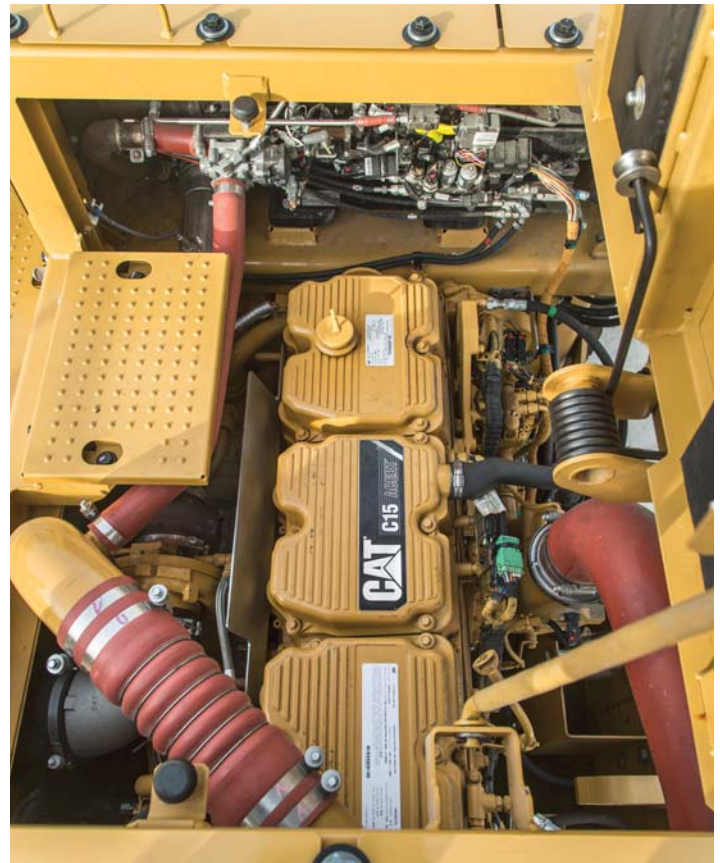
Biodiesel Not A Problem

The C15 ACERT engine can run on biodiesel fuel up to B20 blended with ULSD. Just fill it up and go.

Proven Technology

The right technologies fine-tuned for the right applications result in:

- **Improved Fuel Efficiency** – Up to 30% improvement over Tier 4 Interim products.
- **High Performance** across a variety of applications.
- **Enhanced Reliability** through commonality and simplicity of design.
- **Maximized Uptime and Reduced Cost** with world-class support from the Cat dealer network.
- **Minimized Impact of Emission Systems** – designed to be transparent to the operator without requiring interaction.
- **Durable designs** with long life to overhaul.
- **Delivering better fuel economy** with minimized maintenance costs while providing the same great power and response.



Easy to Operate

Comfort and convenience to keep you productive all day long



Safe and Quiet Cab

The cab contributes to your comfort thanks to special viscous mounts and special roof lining and sealing, that limit vibration and unnecessary sound.

Operators will enjoy the quietness and comfort of the all-new cab that's insulated to reduce sound inside by 4 dB over the previous model.

Excellent Ergonomics

Wide seats with air suspension and heat/cooling options, include a reclining back, upper and lower slide adjustments, and height and tilt angle adjustments to meet your needs for maximum comfort.

The fully automatic climate control system keeps operators comfortable and productive all day long in either hot or cold weather.

Storage spaces are located in the front, rear, and side consoles of the cab. A drink holder accommodates a large mug, and a shelf behind the seat stores large lunch or toolboxes.

Power supply sockets are available for charging your electronic devices like an MP3 player, a cell phone, or even a tablet.

Controls Just for You

The right and left joystick consoles can be adjusted to improve your comfort and productivity during the course of a day.

The right joystick features a button that will reduce engine speed when you are not working to help save fuel. Touch it once and speed reduces; touch it again and speed increases for normal operation.



Easy to Navigate Monitor

The new LCD monitor is easy to see and navigate. Not only can it memorize up to 10 different work tools, it's also programmable in up to 44 languages to meet today's diverse workforce. The monitor clearly displays critical information you need to operate efficiently and effectively. Plus it projects the image from the standard rearview camera to help you see what's going on around you so you can stay safely focused on the job at hand.

Durable Structures

Made to work in your tough, heavy-duty applications



Stable Undercarriage

Long variable gauge undercarriage contributes significantly to its outstanding stability and durability, and it adjusts to reduce shipping width.

Track shoes, links, rollers, idlers, and final drives are all built with high-tensile strength steel for long-term durability.

Cat GLT4 track link protects moving parts by keeping water, debris, and dust out and grease sealed in, which delivers longer wear life and reduced noise when traveling.

Cat Positive Pin Retention 2 (PPR2) prevents looseness of the track pin in the track link, reduces stress concentrations, and eliminates pin walking for increased service life.



Robust Frames

The 374F L is a robust, well-built machine designed to give you a very long service life. The upper frame has mountings made specifically to support the heavy-duty cab. It's also reinforced around areas that take on a lot of stress like the boom foot, skirt, and counterweight.

Great Weight

An 11 mt (24,250 lb) counterweight – with or without removal device – is available to balance your work needs. Built with thick steel plates and reinforced fabrications to make it less susceptible to damage, the weight has a curved surface that matches the machine's sleek, smooth appearance along with an integrated housing to help protect the standard rearview camera.



Durable Linkages

Options to take on your far-reaching or up-close tasks

Booms and Sticks for Any Job

The 374F L is offered with a range of booms and sticks. Each is built with internal baffle plates and is stress relieved for added durability, and each undergoes ultrasound inspection to ensure quality and reliability. Large box-section structures with thick, multi-plate fabrications, castings, and forgings are used in high-stress areas such as the boom nose, boom foot, boom cylinder, and stick foot to improve durability. Also, the boom nose pin retention method is a captured flag design for enhanced durability.

The Reach boom and sticks offer you excellent all-around versatility for general excavation work like multipurpose digging and loading.

The Mass boom and sticks offer you enhanced performance in heavy-duty material like rock. They provide higher digging forces due to special boom and stick geometry, and bucket linkage and cylinders are built for greater durability.

Pins

All front linkage pins have thick chrome plating, giving them high wear resistance. Each pin diameter is made to distribute the shear and bending loads associated with the stick and to help ensure long pin, boom and stick life.

Talk to your Cat dealer to pick the best front linkage for your applications.

Versatile

Do more jobs with one machine





Get the Most from One Machine

The Cat combination of machine and tool provides a total solution for just about any application. Work tools can be mounted either directly to the machine or to a quick coupler, making it fast and easy to release one work tool and pick up another.

Change Jobs Quickly

Cat quick coupler brings the ability to quickly change attachments and switch from job to job. The Cat coupler is the secure way to decrease downtime and increase job site flexibility and overall productivity.

Available tool control remembers pressures and flows for up to 10 tools. Simply toggle through the monitor, select the tool, and go to work for maximum efficiency.

Dig, Rip and Load

A wide range of buckets dig everything from basic top soil to extreme, harsh material like ore and high quartzite granite. Rip through rock as an alternative to blasting in quarries. High-capacity buckets load trucks in a minimum number of passes for maximum productivity.

Break, Demolish and Scrap

A hydraulic hammer ably equips your machine for breaking rock in quarries. It will also make taking down bridge pillars and heavily reinforced concrete on road demolition jobs no problem.

Multi-processor and pulverizer attachments make your machine ideal for demolition jobs and processing the resulting debris.

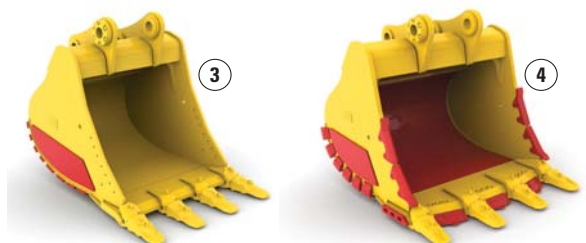
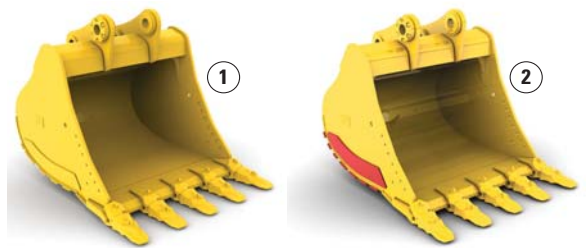
Shears with 360° rotation mount to the machine for processing scrap steel and metal.

Move and Handle Material

When your job requires steady material handling and loading of heavy construction debris, a contractor's grapple is a good solution.

Set Up Your Machine for Profitability

Your Cat dealer can install hydraulic kits to properly operate all Cat Work Tool attachments, maximizing the machine's uptime and your profit. All Cat Work Tool attachments are supported by the same Cat dealer network as your Cat machine.



1) General Duty (GD) 2) Heavy Duty (HD)
3) Severe Duty (SD) 4) Extreme Duty (XD)

Cat Connect Technologies

Monitor, manage, and enhance job site operations



Cat Connect makes smart use of technology and services to improve your job site efficiency. Using the data from technology-equipped machines, you'll get more information and insight into your equipment and operations than ever before.

Cat Connect technologies offer improvements in these key areas:



EQUIPMENT
MANAGEMENT

Equipment Management – increase uptime and reduce operating costs.



PRODUCTIVITY

Productivity – monitor production and manage job site efficiency.



SAFETY

Safety – enhance job site awareness to keep your people and equipment safe.

PAYLOAD Technologies

Payload technologies accurately measure material being loaded or hauled. Payload data is shared with operators in real-time to improve productivity, reduce overloading, and record progress.

Cat Production Measurement

Cat Production Measurement brings payload weighing to the cab, enabling operators to weigh loads “on the go.” Loads are weighed as the boom swings with no interruptions in the loading cycle, improving loading speed and efficiency. Operators can view load weights on the integrated display and know precisely how much material is in the bucket and when trucks are filled to target payload. Instant feedback gives operators the confidence to work more effectively, maximizing the potential of the entire fleet. Site managers can wirelessly access data via the VisionLink® web portal to measure production and monitor efficiency.



GRADE Technologies

Grade technologies combine digital design data and in-cab guidance to help you reach target grade quickly and accurately, with minimal staking and checking. That means you'll be more productive, complete jobs faster, in fewer passes, using less fuel, at a lower cost.



Cat Grade Control Depth and Slope

The integrated Cat Grade Control system delivers 2D bucket tip elevation guidance to the cab to help operators create precise planes and slopes. Real-time bucket tip elevation guidance on the standard cab monitor indicates how much to cut or fill. Fast response sensors deliver immediate feedback, while optional integrated joystick buttons help operators make quick adjustments to maintain grade. Built-in alerts can be set to warn the operator if the linkage or bucket approaches a predefined elevation or depth, such as when working in areas with low ceilings, or digging near water lines. Staking and checking is minimized, which reduces ground crews and enhances job site safety.

Works best in simple 2D applications, such as digging trenches and basements or grading steep embankments.

Cat AccuGrade™

The dealer-installed AccuGrade system uses a dedicated monitor with a digital design plan for 3D bucket tip positioning and elevation guidance. AccuGrade indicates precisely where to work and how much to cut or fill – eliminating staking and checking.

Plug and play capability on the machine simplifies upgrading. Choose from satellite (GNSS) or total station (UTS) control for large projects with complex designs.

LINK Technologies

LINK technologies, like Product Link™, are deeply integrated into your machine and wirelessly communicates key information, including location, hours, fuel usage, idle time and event codes.

Product Link/VisionLink

Easy access to Product Link data via the online VisionLink user interface can help you see how your machine or fleet is performing. You can use this information to make timely, fact based decisions that can boost job site efficiency and productivity, and lower costs.



Safe Work Environment

Features to help protect you day in and day out



Great Views

Ample glass gives you excellent visibility out front and to the side, and the standard rearview camera gives you a clear field of view behind the machine through the cab monitor. As an option, a second display can be added, providing a dedicated full-time rearview of the job site. Optional side-view camera can also be added.

Halogen lights provide plenty of illumination. Cab and boom lights can be programmed to stay on for up to 90 seconds after the engine has been turned off to help you safely exit the machine. Optional High Intensity Discharge (HID) lights are available for enhanced night-time visibility.

Secure Contact Points

Multiple large steps as well as hand and guard rails will get you into the cab as well as a leg up to the catwalks and compartments. Extended hand and guard rails allow you to safely climb to the upper deck. Anti-skid plates on the catwalks, the surface of the upper structure, and the top of the storage box area reduce your slipping hazards in all types of weather conditions. They can be removed for cleaning.



Serviceable

Designed to make your maintenance quick and easy



Convenient Access Built In

You can reach routine maintenance items like greasing points and a concentrated remote greasing block on boom foot from ground level.

Compartments feature wide service doors designed to help prevent debris entry, and they also securely latch in place to help make your service work simpler.

Machine's slip-resistant 500 mm (19.7 in) wide catwalks stretch the length of the machine to provide safe access to major and grouped service points, such as fuel and oil filters, and fluid taps.



Quick and Convenient Fluids Service

S.O.SSM Oil sample and pressure ports provide easy checking of machine condition and are standard on every machine.

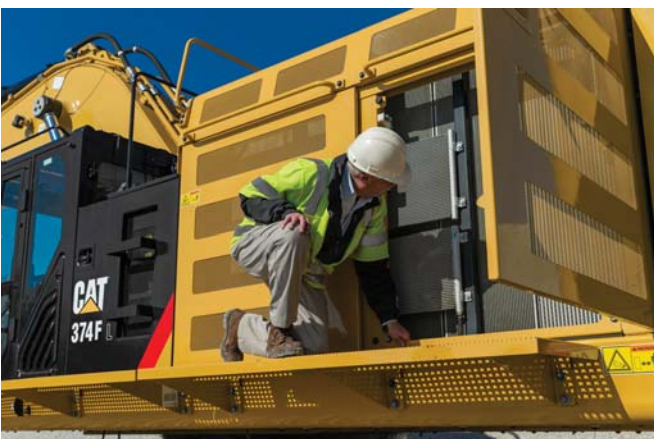
You can ensure fast, easy, and secure changing of engine and hydraulic oil with the QuickEvacTM option.

The fuel tank's drain cock makes it easy and simple for you to remove water and sediment during routine maintenance. Plus an integrated fuel level indicator pops up to help you reduce the possibility of fuel tank overfilling. An optional fast fill port accessible from ground level can make refueling even easier and faster.

An electric lubricator system is an available time-saving attachment. The lubricator has a grease container, greasing pump, and a hose with nozzle to help you reach all the greasing points.

A Smart Cooling Design

The 374F L features a new side-by-side cooling system with easy-to-clean cores and a new variable-speed fan that reverses to blow out unwanted debris that may accumulate during your work day.



A Fresh Idea

Selecting ventilation inside the cab allows outside air to enter through a fresh air filter. The filter is conveniently located on the side of the cab to make it easy to reach and replace, and it is protected by a lockable door that can be opened with the engine key.



Complete Customer Care

Unmatched support makes the difference

Sustainable Generations ahead in every way

The 374F L is designed to compliment your business plan, reduce emissions and minimize the consumption of natural resources.

- The C15 ACERT engine meets Tier 4 Final emission standards.
- The 374F L consumes up to 30% less fuel than its predecessor 374D L.
- The machine has the flexibility of running on either ultra-low-sulfur diesel (ULSD) fuel with 15 ppm of sulfur or less or up to bio diesel (B20) fuel blended with ULSD.
- An overfill indicator rises when the tank is full to help the operator avoid spilling.
- Quick fill ports with connectors ensure fast, easy, and secure changing of hydraulic oil.
- Major components are rebuildable, eliminating waste and saving money by giving the machine and/or major components a second life – and even a third life.
- Link technologies enable you to collect and analyze equipment and job site data so you can maximize productivity and reduce costs.
- The 374F L is an efficient, productive machine that's designed to conserve our natural resources for generations ahead.

Worldwide Parts Availability

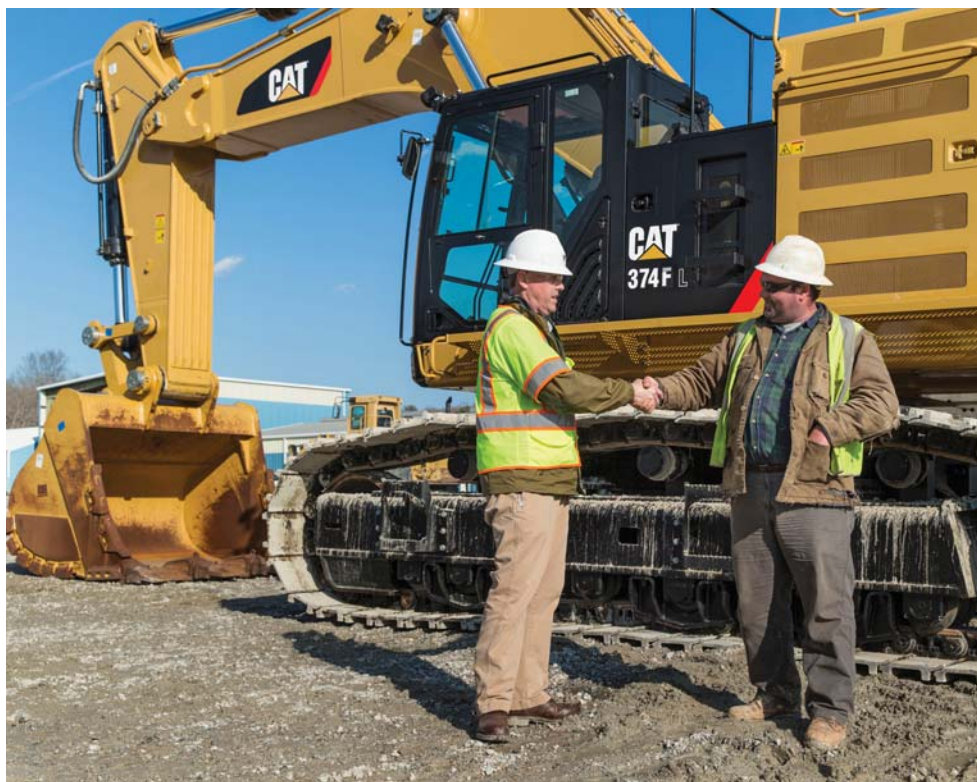
Cat dealers utilize a worldwide parts network to maximize your machines' uptime. Plus they can help you save money with Cat remanufactured components.

Financial Options Just for You

Consider financing options and day-to-day operating costs. Look at dealer services that can be included in the machine's cost to yield lower owning and operating costs over time.

What's Best for You Today...and Tomorrow

Repair, rebuild, or replace? Your Cat dealer can help you evaluate the cost involved so you can make the best choice for your business.



374F L Hydraulic Excavator Specifications

Engine

Engine Model	Cat C15 ACERT	
Engine Power – ISO 14396	362 kW	485 hp
Net Power – SAE J1349	352 kW	472 hp
Bore	137 mm	5.4 in
Stroke	171 mm	6.7 in
Displacement	15.2 L	928 in ³

- No engine power derating required below 2300 m (7,500 ft) altitude.
- Rating at 1,600 rpm (implement).

Drive

Gradeability	30°/70%	
Maximum Travel Speed	4.1 km/h	2.6 mph
Maximum Drawbar Pull	492 kN	110,700 lbf

Track

Track Options – Double Grouser	900 mm	35 in
	750 mm	30 in
Number of Shoes Each Side	47	
Number of Track Rollers Each Side	8	
Number of Carrier Rollers Each Side	3	

Swing

Swing Speed	6.5 rpm	
Swing Torque	215 kN·m	158,576 lbf·ft
Maximum Swing Torque	313 kN·m	230,856 lbf·ft

Service Refill Capacities

Fuel Tank Capacity	935 L	247 gal
Cooling System	74 L	20 gal
Engine Oil	60 L	16 gal
Swing Drive (each)	12 L	3.2 gal
Final Drive (each)	22 L	5.8 gal
Hydraulic System (including tank)	729 L	193 gal
Hydraulic Tank	612 L	162 gal
DEF Tank	48 L	13 gal

Sound Performance

Exterior – ISO 6395*	108 dB(A)
Interior – SAE J1166/ISO 6396	72 dB(A)

- Hearing protection may be needed when operating with an open operator station and cab (when not properly maintained or doors/windows open) for extended periods or in a noisy environment.
- When properly installed and maintained, the cab offered by Caterpillar, when tested with doors and windows closed according to ANSI/SAE J1166 OCT98, meets OSHA and MSHA requirements for operator sound exposure limits in effect at time of manufacture.

*as per European Union Directive 2000/14/EC as amended by 2005/88/EC

Hydraulic System

Maximum Flow (total)		
Main System – Implement	896 L/min	237 gal/min
Main System – Travel	952 L/min	251 gal/min
Pilot System	63 L/min	16.6 gal/min

Maximum Pressure		
Main System – Equipment	37 000 kPa	5,366 psi
Main System – Travel	35 000 kPa	5,076 psi
Main System – Swing	29 400 kPa	4264 psi
Pilot System	4400 kPa	638 psi

Boom Cylinder		
Bore	190 mm	7.5 in
Stroke	1792 mm	70.6 in

Stick Cylinder		
Bore	210 mm	8.3 in
Stroke	2118 mm	83.4 in

VB2 – Family Bucket Cylinder		
Bore	190 mm	7.5 in
Stroke	1433 mm	56.4 in

WB2 – Family Bucket Cylinder		
Bore	200 mm	7.9 in
Stroke	1457 mm	57.4 in

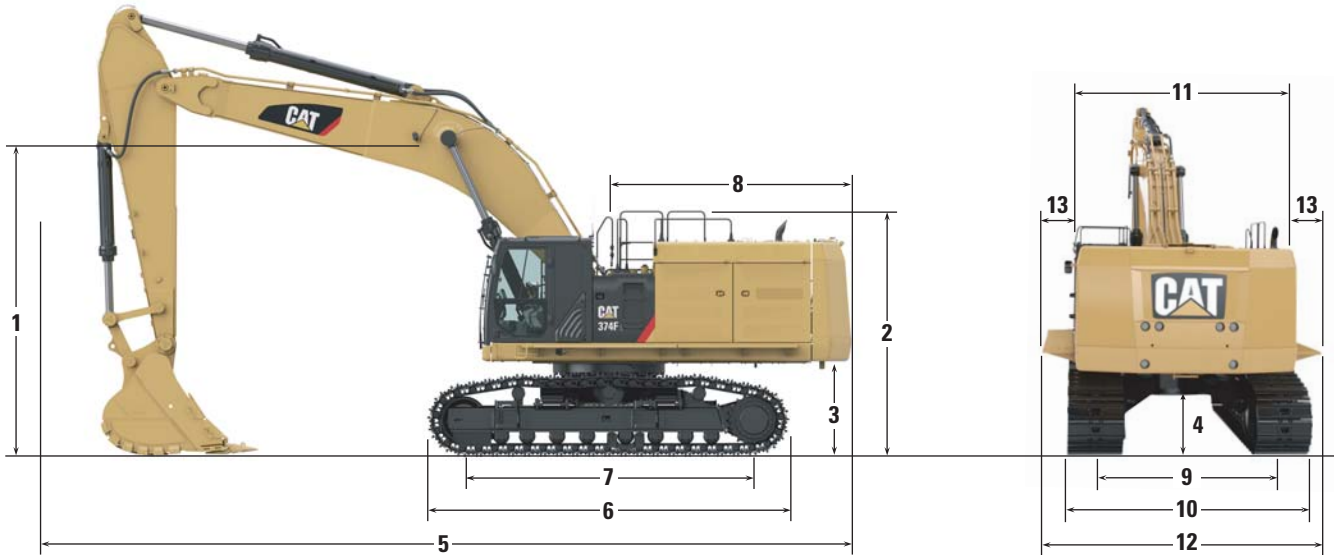
Standards (including tank)

Brakes	SAE J1026/APR90
Cab/FOGS	SAE J1356 FEB88 ISO 10262:2008
DEF	ISO 22241

374F L Hydraulic Excavator Specifications

Dimensions

All dimensions are approximate. Dimensions may vary depending on bucket selection.

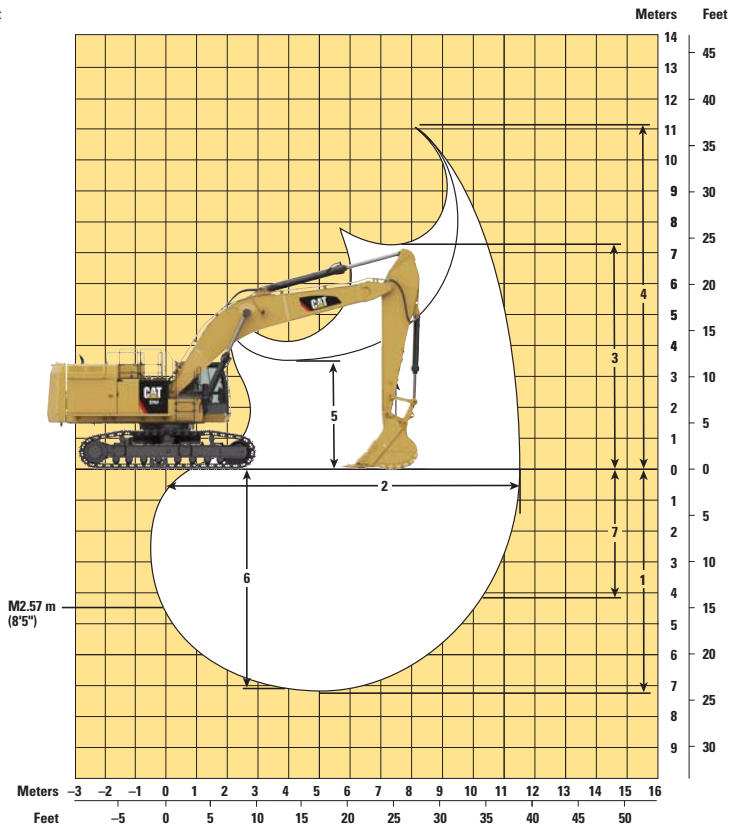
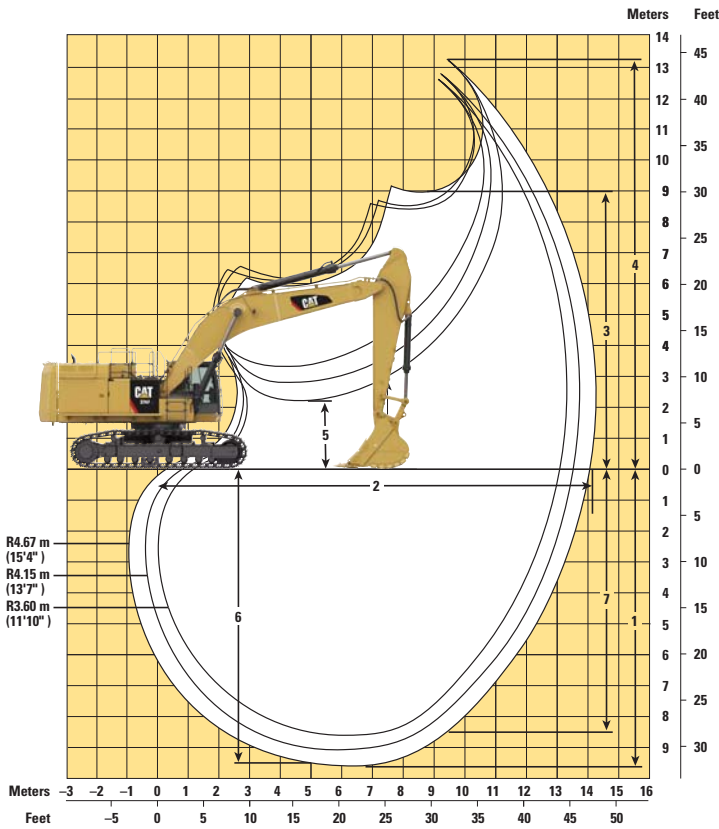


Boom Options	Reach Boom 7.8 m (25'7")				Mass Boom 7.0 m (23'0")			
	R4.67 m (15'4")		R4.15 m (13'7")		R3.60 m (11'10")		M2.57 m (8'5")	
Stick Options								
1 Shipping Height – with boom/stick installed	4990 mm	16'4"	4650 mm	15'3"	4520 mm	14'10"	4630 mm	15'2"
2 Guardrail Height	3970 mm	13'0"	3970 mm	13'0"	3970 mm	13'0"	3970 mm	13'0"
3 Counterweight Clearance	1540 mm	5'1"	1540 mm	5'1"	1540 mm	5'1"	1540 mm	5'1"
4 Ground Clearance	840 mm	2'9"	840 mm	2'9"	840 mm	2'9"	840 mm	2'9"
5 Length – with boom/stick installed	13 230 mm	43'5"	13 310 mm	43'8"	13 330 mm	43'9"	12 660 mm	41'6"
6 Track Length	5870 mm	19'3"	5870 mm	19'3"	5870 mm	19'3"	5870 mm	19'3"
7 Length to Center of Rollers	4705 mm	15'5"	4705 mm	15'5"	4705 mm	15'5"	4705 mm	15'5"
8 Tail Swing Radius	4015 mm	13'2"	4015 mm	13'2"	4015 mm	13'2"	4015 mm	13'2"
9 Track Gauge – retracted	2750 mm	9'0"	2750 mm	9'0"	2750 mm	9'0"	2750 mm	9'0"
Track Gauge – extended	3410 mm	11'2"	3410 mm	11'2"	3410 mm	11'2"	3410 mm	11'2"
10 Undercarriage Width – without steps								
750 mm (30 in) Shoes	4160 mm	13'8"	4160 mm	13'8"	4160 mm	13'8"	4160 mm	13'8"
900 mm (35 in) Shoes	4310 mm	14'2"	4310 mm	14'2"	4310 mm	14'2"	4310 mm	14'2"
Undercarriage Width – including steps								
750 mm (30 in) Shoes	4340 mm	14'3"	4340 mm	14'3"	4340 mm	14'3"	4340 mm	14'3"
900 mm (35 in) Shoes	4340 mm	14'3"	4340 mm	14'3"	4340 mm	14'3"	4340 mm	14'3"
11 Upperframe Width – without walkways	3450 mm	11'4"	3450 mm	11'4"	3450 mm	11'4"	3450 mm	11'4"
12 Upperframe Width – with walkways	4510 mm	15'0"	4510 mm	15'0"	4510 mm	15'0"	4510 mm	15'0"
13 Walkway Width (each)	530 mm	1'9"	530 mm	1'9"	530 mm	1'9"	530 mm	1'9"
Bucket Type	GD		GD		GD		SDV	
Bucket Capacity	3.8 m ³	4.97 yd ³	3.8 m ³	4.97 yd ³	3.8 m ³	4.97 yd ³	4.6 m ³	6.0 yd ³
Bucket Tip Radius	1900 mm	6'2"	1900 mm	6'2"	1900 mm	6'2"	2000 mm	6'7"

374F L Hydraulic Excavator Specifications

Working Ranges

All dimensions are approximate. Dimensions may vary depending on bucket selection.



Boom Options

Reach Boom 7.8 m (25'7")

Mass Boom 7.0 m (23'0")

Stick Options

R4.67 m (15'4")

R4.15 m (13'7")

R3.60 m (11'10")

M2.57 m (8'5")

1 Maximum Digging Depth	9650 mm	31'8"	9130 mm	29'11"	8580 mm	28'1"	7220 mm	23'8"
2 Maximum Reach at Ground Line	14 230 mm	46'8"	13 690 mm	44'11"	13 170 mm	43'2"	11 450 mm	37'6"
3 Maximum Loading Height	9000 mm	29'6"	8640 mm	28'4"	8410 mm	27'7"	7080 mm	23'2"
4 Maximum Cutting Height	13 210 mm	43'4"	12 820 mm	42'1"	12 560 mm	41'2"	11 010 mm	36'1"
5 Minimum Loading Height	2230 mm	7'4"	2750 mm	9'0"	3300 mm	10'10"	3490 mm	11'5"
6 Maximum Depth Cut for 2240 mm (8 ft) Level Bottom	9550 mm	31'4"	9020 mm	29'7"	8460 mm	27'9"	7060 mm	23'1"
7 Maximum Vertical Wall Digging Depth	8530 mm	28'0"	7840 mm	25'9"	7140 mm	23'5"	4140 mm	13'7"
Bucket Digging Force (SAE)	314 kN	70,700 lbf	314 kN	70,700 lbf	314 kN	70,700 lbf	362 kN	81,300 lbf
Stick Digging Force (SAE)	240 kN	54,000 lbf	260 kN	58,400 lbf	285 kN	64,000 lbf	341 kN	76,800 lbf
Bucket Type	GD		GD		GD		SDV	
Bucket Capacity	3.8 m ³	4.97 yd ³	3.8 m ³	4.97 yd ³	3.8 m ³	4.97 yd ³	4.6 m ³	6.0 yd ³
Bucket Tip Radius	1900 mm	6'2"	1900 mm	6'2"	1900 mm	6'2"	2000 mm	6'7"

374F L Hydraulic Excavator Specifications

Operating Weights and Ground Pressures

	900 mm (35 in) Double Grouser Shoes				750 mm (30 in) Double Grouser Shoes			
	Weight		Ground Pressure		Weight		Ground Pressure	
	kg	lb	kPa	psi	kg	lb	kPa	psi
Reach Boom – 7.8 m (25'7")								
3.8 m ³ (4.97 yd ³) GD Bucket								
R4.67 m (15'4") Stick	73 200	161,400	78.0	11.3	72 190	159,100	92.3	13.4
R4.15 m (13'7") Stick	72 900	160,900	77.8	11.3	71 980	158,700	92.0	13.3
R3.60 m (11'10") Stick	72 850	160,600	77.6	11.3	71 835	158,400	91.8	13.3
Mass Excavation Boom – 7.0 m (23'0")								
4.6 m ³ (6.0 yd ³) SDV Bucket								
M2.57 m (8'5") Stick	74 960	165,300	79.9	11.6	73 945	163,000	94.5	13.7

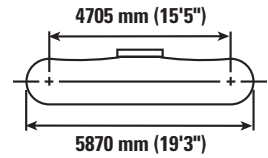
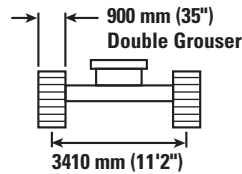
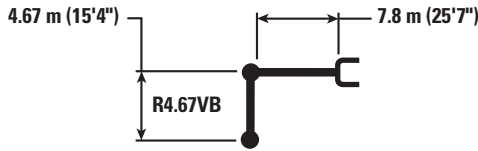
Major Components Weights

	kg	lb
Base Machine (with counterweight, without front linkage, without bucket)*		
750 mm (30 in) Tracks	56 110	123,700
900 mm (36 in) Tracks	57 120	125,900
Two Boom Cylinders	1375	3,030
Counterweight		
Removal Type	10 300	22,700
Non-removal Type	11 000	24,250
Boom (includes lines, pins, stick cylinder)		
Reach Boom – 7.8 m (25'7")	6720	14,800
Mass Boom – 7.0 m (23'0")	7040	15,500
Stick (includes lines, pins, bucket cylinder, linkage)		
R4.67 m (15'4")	4025	8,875
R4.15 m (13'7")	3820	8,415
R3.60 m (11'10")	3675	8,100
M2.57 m (8'5")	4020	8,860
Bucket		
3.8 m ³ (4.97 yd ³) GD	3670	8,090
4.6 m ³ (6.0 yd ³) SDV	4050	8,930

*Base machine includes 75 kg (165 lb) operator weight and 90% fuel weight, and undercarriage with center guard.

374F L Hydraulic Excavator Specifications

Reach Boom Lift Capacities – Counterweight: 11 mt (24,250 lb) – without Bucket



Reach Boom	Unit	1.5 m/5.0 ft		3.0 m/10.0 ft		4.5 m/15.0 ft		6.0 m/20.0 ft		7.5 m/25.0 ft		9.0 m/30.0 ft		10.5 m/35.0 ft		12.0 m/40.0 ft		mm in		
		kg lb	kg lb	kg lb	kg lb	kg lb	kg lb	kg lb	kg lb	kg lb	kg lb	kg lb	kg lb	kg lb	kg lb	kg lb	kg lb	kg lb	kg lb	
10.5 m 35.0 ft	kg lb											*12 450 *29,300	*12 450 *29,300					*11 500 *25,500	*11 500 *25,500	9200 360
9.0 m 30.0 ft	kg lb											*13 350 *29,300	*13 350 *29,300					*10 850 *23,950	*10 850 *23,950	10 330 410
7.5 m 25.0 ft	kg lb											*13 650 *29,850	*13 650 *29,850	*13 150 *28,250	11 800 25,250			*10 550 *23,250	*10 550 *23,250	11 140 440
6.0 m 20.0 ft	kg lb											*14 450 *31,400	*14 450 *31,400	*13 450 *29,400	11 600 24,900			*10 500 *23,100	9550 21,200	11 700 460
4.5 m 15.0 ft	kg lb					*28 300 *61,550	*28 300 *61,550	*21 350 *46,050	*21 350 *46,050	*17 700 *38,350	*17 700 *38,350	*15 500 *33,650	14 450 31,050	*14 000 *30,500	11 300 24,250	*11 050 9000	9000	*10 650 *23,400	8950 19,750	12 050 480
3.0 m 10.0 ft	kg lb							*24 700 *53,250	*24 700 *53,250	*19 600 *42,450	18 200 39,200	*16 600 *36,050	13 850 29,850	*14 650 *31,850	10 950 23,550	12 200 *24,200	8850 18,950	*11 000 *24,200	8600 18,950	12 200 480
1.5 m 5.0 ft	kg lb							*27 200 *58,800	23 950 51,550	*21 200 *45,900	17 300 37,300	*17 600 *38,150	13 300 28,700	14 700 31,600	10 600 22,850	12 000	8650	*11 600 *25,500	8500 18,700	12 160 480
0.0 m 0.0 ft	kg lb					*18 350 *42,350	*18 350 *42,350	*28 450 *61,550	23 050 49,550	*22 200 *48,000	16 700 35,950	18 050 38,850	12 900 27,800	14 400 31,000	10 350 22,300			12 000 26,350	8600 19,000	11 930 470
-1.5 m -5.0 ft	kg lb			*13 300 *29,950	*13 300 *29,950	*24 100 *55,100	*24 100 *55,100	*28 400 *61,500	22 600 48,600	*22 350 *48,400	16 300 35,150	17 800 38,250	12 650 27,200	14 250 30,650	10 200 22,000			*12 550 *27,700	9000 19,900	11 510 460
-3.0 m -10.0 ft	kg lb	*16 300 *36,500	*16 300 *36,500	*20 900 *47,150	*20 900 *47,150	*32 600 *74,550	*32 600 *74,550	*27 150 *58,750	22 500 48,400	*21 600 *46,750	16 200 34,900	*17 650 *38,000	12 550 27,050	14 250 *30,450	10 200 22,050			*13 450 *29,600	9800 21,650	10 850 430
-4.5 m -15.0 ft	kg lb			*30 100 *68,150	*30 100 *68,150	*31 250 *67,550	*31 250 *67,550	*24 600 *53,100	22 700 48,850	*19 750 *42,450	16 300 35,150	*15 800 *33,650	12 700 27,350					*13 250 *29,100	11 200 24,850	9920 390
-6.0 m -20.0 ft	kg lb			*32 000 *68,400	*32 000 *68,400	*25 300 *54,200	*25 300 *54,200	*20 300 *43,300	*20 300 *43,300	*16 000 *33,750	*16 000 *33,750							*12 500 *27,350	*12 500 *27,350	8640 340



ISO 10567



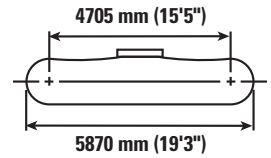
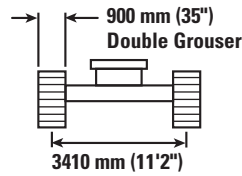
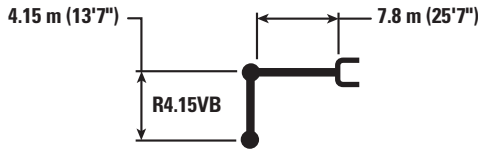
*Indicates that the load is limited by hydraulic lifting capacity rather than tipping load. The above loads are in compliance with hydraulic excavator lift capacity standard ISO 10567:2007. They do not exceed 87% of hydraulic lifting capacity or 75% of tipping load. Weight of all lifting accessories must be deducted from the above lifting capacities. Lifting capacities are based on the machine standing on a firm, uniform supporting surface. The use of a work tool attachment point to handle/lift objects, could affect the machine lift performance.

Lift capacity stays with ±5% for all available track shoes.

Always refer to the appropriate Operation and Maintenance Manual for specific product information.

374F L Hydraulic Excavator Specifications

Reach Boom Lift Capacities – Counterweight: 11 mt (24,250 lb) – without Bucket



Reach	Unit	3.0 m/10.0 ft		4.5 m/15.0 ft		6.0 m/20.0 ft		7.5 m/25.0 ft		9.0 m/30.0 ft		10.5 m/35.0 ft		mm		in
		kg	lb	kg	lb	kg	lb	kg	lb	kg	lb	kg	lb	kg	lb	
10.5 m	kg													*13 250	*13 250	8470
35.0 ft	lb													*29,450	*29,450	330
9.0 m	kg									*14 300	*14 300			*12 450	*12 450	9690
30.0 ft	lb									*31,500	*31,500			*27,600	*27,600	380
7.5 m	kg									*14 500	*14 500	*12 550	11 650	*12 150	11 550	10 550
25.0 ft	lb									*31,700	*31,700			*26,800	25,700	420
6.0 m	kg							*16 900	*16 900	*15 200	14 850	*14 150	11 500	*12 150	10 400	11 140
20.0 ft	lb							*36,650	*36,650	*33,100	31,950	*30,900	24,700	*26,700	23,000	440
4.5 m	kg					*22 800	*22 800	*18 650	*18 650	*16 200	14 350	*14 600	11 250	*12 350	9650	11 500
15.0 ft	lb			*66,250	*66,250	*49,100	*49,100	*40,400	*40,400	*35,150	30,850	*31,800	24,150	*27,200	21,350	460
3.0 m	kg					*25 900	25 000	*20 450	18 000	*17 200	13 800	15 000	10 950	12 750	9300	11 660
10.0 ft	lb					*55,850	53,900	*44,200	38,850	*37,350	29,700	32,300	23,550	28,100	20,450	460
1.5 m	kg					*28 000	23 750	*21 800	17 250	*18 050	13 300	14 700	10 650	12 650	9150	11 620
5.0 ft	lb					*60,550	51,150	*47,250	37,150	*39,150	28,650	31,650	22,900	27,850	20,200	460
0.0 m	kg			*17 900	*17 900	*28 800	23 000	*22 550	16 700	18 100	12 950	14 500	10 450	12 900	9350	11 380
0.0 ft	lb			*41,350	*41,350	*62,300	49,550	*48,800	36,000	38,950	27,900	31,200	22,450	28,450	20,550	450
-1.5 m	kg	*14 200	*14 200	*25 500	*25 500	*28 250	22 750	*22 400	16 450	17 900	12 750	14 400	10 350	13 600	9800	10 930
-5.0 ft	lb	*32,100	*32,100	*58,350	*58,350	*61,250	48,900	*48,550	35,400	38,500	27,450	31,000	22,300	30,050	21,650	430
-3.0 m	kg	*23 400	*23 400	*33 800	*33 800	*26 550	22 750	*21 300	16 400	*17 300	12 750			*14 250	10 750	10 240
-10.0 ft	lb	*52,850	*52,850	*73,350	*73,350	*57,550	48,950	*46,050	35,300	*37,300	27,450			*31,400	23,800	410
-4.5 m	kg	*34 400	*34 400	*29 300	*29 300	*23 500	23 050	*18 900	16 600	*14 750	12 950			*13 950	12 550	9250
-15.0 ft	lb	*77,950	*77,950	*63,300	*63,300	*50,650	49,600	*40,550	35,750	*31,000	28,050			*30,650	27,850	370
-6.0 m	kg			*22 550	*22 550	*18 350	*18 350	*14 050	*14 050					*12 850	*12 850	7860
-20.0 ft	lb			*48,050	*48,050	*38,900	*38,900	*29,000	*29,000					*28,000	*28,000	310



ISO 10567



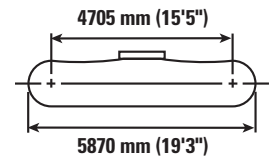
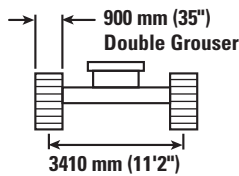
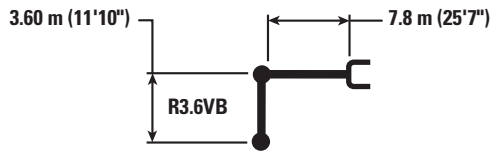
*Indicates that the load is limited by hydraulic lifting capacity rather than tipping load. The above loads are in compliance with hydraulic excavator lift capacity standard ISO 10567:2007. They do not exceed 87% of hydraulic lifting capacity or 75% of tipping load. Weight of all lifting accessories must be deducted from the above lifting capacities. Lifting capacities are based on the machine standing on a firm, uniform supporting surface. The use of a work tool attachment point to handle/lift objects, could affect the machine lift performance.

Lift capacity stays with ±5% for all available track shoes.

Always refer to the appropriate Operation and Maintenance Manual for specific product information.

374F L Hydraulic Excavator Specifications

Reach Boom Lift Capacities – Counterweight: 11 mt (24,250 lb) – without Bucket



		3.0 m/10.0 ft		4.5 m/15.0 ft		6.0 m/20.0 ft		7.5 m/25.0 ft		9.0 m/30.0 ft		10.5 m/35.0 ft		mm in		
10.5 m 35.0 ft	kg lb													*15 750 *35,100	*15 750 *35,100	7760 300
9.0 m 30.0 ft	kg lb									*15 300	15 100			*14 750 *32,600	*14 750 *32,600	9070 360
7.5 m 25.0 ft	kg lb							*16 500 *35,950	*16 500 *35,950	*15 350 *33,550	15 000 32,250			*14 300 *31,550	12 550 27,950	9980 390
6.0 m 20.0 ft	kg lb					*20 950 *45,200	*20 950 *45,200	*17 850 *38,650	*17 850 *38,650	*15 950 *34,700	14 650 31,550	*14 800	11 350	*14 300 *31,450	11 150 24,750	10 610 420
4.5 m 15.0 ft	kg lb					*24 150 *51,950	*24 150 *51,950	*19 500 *42,250	18 700 40,300	*16 850 *36,550	14 200 30,550	*15 150	11 150	14 150 31,300	10 350 22,850	10 990 440
3.0 m 10.0 ft	kg lb					*27 000 *58,200	24 550 53,000	*21 150 *45,750	17 800 38,450	*17 750 *38,500	13 700 29,500	14 950	10 900	13 650 30,050	9900 21,850	11 150 440
1.5 m 5.0 ft	kg lb					*28 650 *61,950	23 500 50,650	*22 300 *48,300	17 150 36,950	*18 450 *39,700	13 250 28,600	14 700	10 650	13 550 29,800	9800 21,600	11 110 440
0.0 m 0.0 ft	kg lb			*36,750	*36,750	*28 850 *62,550	23 000 49,500	*22 750 *49,200	16 700 35,950	18 100 39,000	12 950 27,950	14 550	10 500	13 850 30,550	10 000 22,050	10 860 430
-1.5 m -5.0 ft	kg lb			*26 100 *59,850	*26 100 *59,850	*27 850 *60,400	22 850 49,150	*22 250 *48,200	16 500 35,550	17 950 38,700	12 850 27,650			14 750 32,500	10 600 23,400	10 390 410
-3.0 m -10.0 ft	kg lb	*25 650 *58,000	*25 650 *58,000	*31 800 *69,100	*31 800 *69,100	*25 650 *55,600	22 950 49,400	*20 750 *44,800	16 550 35,650	*16 700 *35,800	12 900 27,850			*14 850 *32,700	11 800 26,100	9660 380
-4.5 m -15.0 ft	kg lb	*31 600 *68,450	*31 600 *68,450	*26 750 *57,800	*26 750 *57,800	*22 000 *47,300	*22 000 *47,300	*17 650 *37,700	16 850 36,350					*14 250 *31,350	14 050 31,300	8600 340
-6.0 m -20.0 ft	kg lb					*15 700 *32,800	*15 700 *32,800							*12 450 *26,950	*12 450 *26,950	7070 280



ISO 10567



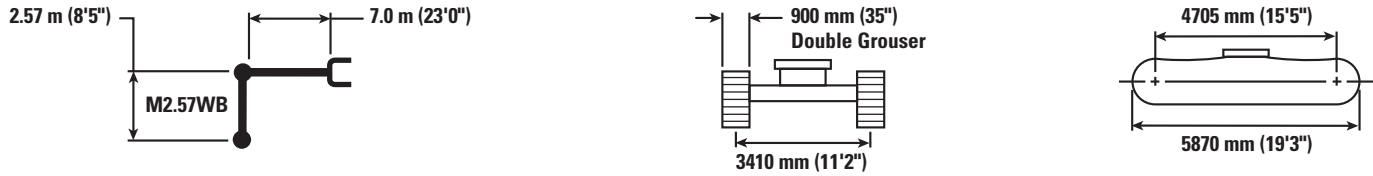
*Indicates that the load is limited by hydraulic lifting capacity rather than tipping load. The above loads are in compliance with hydraulic excavator lift capacity standard ISO 10567:2007. They do not exceed 87% of hydraulic lifting capacity or 75% of tipping load. Weight of all lifting accessories must be deducted from the above lifting capacities. Lifting capacities are based on the machine standing on a firm, uniform supporting surface. The use of a work tool attachment point to handle/lift objects, could affect the machine lift performance.

Lift capacity stays with ±5% for all available track shoes.

Always refer to the appropriate Operation and Maintenance Manual for specific product information.

374F L Hydraulic Excavator Specifications

Mass Boom Lift Capacities – Counterweight: 11 mt (24,250 lb) – without Bucket



		3.0 m/10.0 ft		4.5 m/15.0 ft		6.0 m/20.0 ft		7.5 m/25.0 ft		9.0 m/30.0 ft		mm in		
9.0 m 30.0 ft	kg lb											*17 650 *39,250	*17 650 *39,250	6820 270
7.5 m 25.0 ft	kg lb							*18 450 *40,450	*18 450 *40,450			*16 650 *36,750	*16 650 *36,750	8010 320
6.0 m 20.0 ft	kg lb					*22 050 *47,750	*22 050 *47,750	*19 100 *41,600	*19 100 41,250			*16 400 *36,100	14 800 32,850	8770 350
4.5 m 15.0 ft	kg lb					*24 900 *53,700	*24 900 *53,700	*20 400 *44,250	18 450 39,750	*18 000 *39,200	13 900 29,800	*16 700 *36,750	13 300 29,450	9230 370
3.0 m 10.0 ft	kg lb					*27 500 *59,350	24 500 52,800	*21 750 *47,100	17 700 38,150	*18 500 *40,150	13 500 29,100	17 450 38,450	12 600 27,800	9430 380
1.5 m 5.0 ft	kg lb					*28 850 *62,400	23 550 50,700	*22 600 *49,000	17 100 36,850	18 400 39,650	13 200 28,450	17 350 38,150	12 450 27,450	9380 370
0.0 m 0.0 ft	kg lb			*28 500 *66,800	*28 500 *66,800	*28 650 *62,150	23 150 49,800	*22 650 *49,050	16 750 36,100	18 250 39,700	13 050 28,450	18 050 39,700	12 900 28,450	9080 360
-1.5 m -5.0 ft	kg lb			*33 950 *73,900	*33 950 *73,900	*27 050 *58,650	23 100 49,700	*21 450 *46,350	16 700 36,000			*18 050 *39,800	14 150 31,200	8510 340
-3.0 m -10.0 ft	kg lb	*33 600 *73,450	*33 600 *73,450	*29 250 *63,450	*29 250 *63,450	*23 600 *50,950	23 450 50,450	*18 000	17 050			*17 600 *38,650	16 800 37,300	7590 300
-4.5 m -15.0 ft	kg lb			*21 400 *45,650	*21 400 *45,650	*16 450	*16 450					*15 600 *33,900	*15 600 *33,900	6180 240



ISO 10567



*Indicates that the load is limited by hydraulic lifting capacity rather than tipping load. The above loads are in compliance with hydraulic excavator lift capacity standard ISO 10567:2007. They do not exceed 87% of hydraulic lifting capacity or 75% of tipping load. Weight of all lifting accessories must be deducted from the above lifting capacities. Lifting capacities are based on the machine standing on a firm, uniform supporting surface. The use of a work tool attachment point to handle/lift objects, could affect the machine lift performance.

Lift capacity stays with ±5% for all available track shoes.

Always refer to the appropriate Operation and Maintenance Manual for specific product information.

374F L Hydraulic Excavator Specifications

Work Tool Offering Guide*

Boom Options	Reach Boom 7.8 m (25'7")			Mass Boom 7.0 m (23'0")
Stick Options	R4.67 m (15'4")	R4.15 m (13'7")	R3.60 m (11'10")	M2.57 m (8'5")
Hydraulic Hammer	H160E s	H160E s	H160E s	H160E s
	H180E s	H180E s	H180E s	H180E s
Multi Processor	MP40 CC Jaw	MP40 CC Jaw	MP40 CC Jaw	MP40 CC Jaw
	MP40 CR Jaw	MP40 CR Jaw	MP40 CR Jaw	MP40 CR Jaw
	MP40 PS Jaw	MP40 PS Jaw	MP40 PS Jaw	MP40 PS Jaw
	MP40 S Jaw	MP40 S Jaw	MP40 S Jaw	MP40 S Jaw
Crusher	P360	P360	P360	P360
Mobile Scrap and Demolition Shear	S365C	S365C	S365C	S365C
	S385C	S385C	S385C	S385C
Orange Peel Grapple				
Clamshell				
Rippers				
Cat Quick Coupler				

These work tools are available for the 374F L.
Consult your Cat dealer for proper match.

*Matches are dependent on excavator configurations. Consult your Cat dealer for proper work tool match.

374F L Hydraulic Excavator Specifications

Bucket Specifications and Compatibility

	Linkage	Width		Capacity		Weight		Fill %	900 mm (35 in) Double Grouser Track Shoes 11 mt (24,250 lb) Counterweight with Removal			
		mm	in	m ³	yd ³	kg	lb		Reach Boom			Mass Boom
									R3.60 m (11'10")	R4.15 m (13'7")	R4.67 m (15'4")	M2.57 m (8'5")
Without Quick Coupler												
General Duty (GD)	VB2	1900	75	3.80	5.00	3720	8,198	100	⊖	⊖	○	
General Duty XL (GDXL)	VB2	2000	79	4.60	6.00	4077	8,986	100	○	◇	◇	
Heavy Duty (HD)	VB2	1220	48	2.20	2.90	2892	6,373	100	●	●	●	
	VB2	1700	66	3.30	4.30	3529	7,778	100	⊙	⊖	⊖	
	VB2	1900	75	3.80	5.00	3881	8,553	100	⊖	○	○	
Severe Duty (SD)	VB2	1100	43	1.90	2.50	2840	6,259	90	●	●	●	
	VB2	1525	60	2.90	3.90	3453	7,610	90	●	●	⊙	
	VB2	1700	66	3.30	4.30	3653	8,051	90	●	⊙	⊖	
	VB2	1900	75	3.80	5.00	4016	8,851	90	⊙	⊖	○	
	WB2	1900	75	4.00	5.25	4825	10,634	90				●
	WB2	2000	79	4.40	5.75	4982	10,980	90				●
Extreme Duty (XD)	WB2	2200	87	5.00	6.50	6171	13,605	90				⊖
Extreme Duty Granite (XDG)	WB2	2000	79	4.37	5.75	5992	13,206	90				⊙
	WB2	2100	83	4.64	6.00	6224	13,718	90				⊙
Maximum load pin-on (payload + bucket)								kg	10 264	9448	8627	13 966
								lb	22,622	20,823	19,014	30,781

The above loads are in compliance with hydraulic excavator standard EN474, they do not exceed 87% of hydraulic lifting capacity or 75% of tipping capacity with front linkage fully extended at ground line with bucket curled.

Capacity based on ISO 7451.

Bucket weight with long tips.

Maximum Material Density:

- 2100 kg/m³ (3,500 lb/yd³)
- ⊙ 1800 kg/m³ (3,000 lb/yd³)
- ⊖ 1500 kg/m³ (2,500 lb/yd³)
- 1200 kg/m³ (2,000 lb/yd³)
- ◇ 900 kg/m³ (1,500 lb/yd³)

Caterpillar recommends using appropriate work tools to maximize the value customers receive from our products. Use of work tools, including buckets, which are outside of Caterpillar's recommendations or specifications for weight, dimensions, flows, pressures, etc. may result in less-than-optimal performance, including but not limited to reductions in production, stability, reliability, and component durability. Improper use of a work tool resulting in sweeping, prying, twisting and/or catching of heavy loads will reduce the life of the boom and stick.

Standard Equipment

Standard equipment may vary. Consult your Cat dealer for details.

CAB

- Parallel wiper and washer
- Mirrors
- Pressurized operator station with positive filtration
- Laminated glass front upper window and tempered other windows
- Sliding upper door window (left-hand cab door)
- Removable lower windshield with in cab storage bracket
- Openable skylight
- Interior:
 - Glass-breaking safety hammer
 - Coat hook
 - Beverage holder
 - Literature holder
 - Interior lighting
 - AM/FM radio mounting (DIN size)
 - Two 12V stereo speakers
 - Storage shelf suitable for lunch or toolbox
 - Power supply with 12V, two power outlets (10 amp)
 - Thumb wheel modulation joystick for use with combined auxiliary control
 - Sun screen
 - Air conditioner, heater and defroster with climate control
- Seat:
 - Adjustable high-back, heated and ventilated seat with air suspension
 - Seat belt, 76 mm (3 in)
 - Adjustable armrest
 - Height adjustable joystick consoles
 - Neutral lever (lock out) for all controls
 - Travel control pedals with removable hand levers
 - Capability of installing two additional pedals
 - Two speed travel
 - Floor mat, washable
- Windshield:
 - 70-30 split, sliding
- Straight travel pedal

Monitor:

- Clock
- Video ready
- Color LCD display with warning, filter/fluid change, and working hour information
- Language display (full graphic and full color display)
- Machine condition, error code and tool mode setting information
- Start-up level check for engine oil, engine coolant and hydraulic oil
- Warning, filter/fluid change and working hour information
- Fuel consumption meter
- Rearview camera

ELECTRICAL

- 80 amp alternator
- Circuit breaker
- Battery
- Travel alarm

ENGINE

- C15 ACERT diesel engine
- Meets Tier 4 Final emission standards
- 2300 m (7,500 ft) altitude capability with no derate
- Up to B20 biodiesel capable
- Automatic engine speed control
- Electric priming pump with switch
- Water separator in fuel line including water level sensor and indicator
- Economy and standard power modes
- Air cleaner
- Reversing cooling fan
- Steel wall between engine and pump compartment
- 4 micron fuel filter
- Quick drains, engine and hydraulic oil (QuickEvac)

HYDRAULIC SYSTEM

- Reverse swing dampening valve
- Automatic swing parking brake
- High-performance hydraulic return filter
- Regeneration circuit for boom and stick
- Capability of installing additional auxiliary circuits
- Reversing cooling fan
- Bio oil capable
- SmartBoom™

LIGHTS

- Cab and boom lights with time delay
- Exterior lights integrated into storage box

UNDERCARRIAGE/UPPERFRAME

- Grease Lubricated Track with PPR2 GLT4, resin seal
- Heavy duty track roller
- Heavy duty track motor guards
- Towing eye on base frame
- Heavy duty bottom guards on upperframe
- Counterweight with lifting eye
- Swivel guard

SAFETY AND SECURITY

- Cat one key security system
- Door locks
- Cap locks on fuel and hydraulic tanks
- Lockable external tool/storage box
- Signaling/warning horn
- Secondary engine shutoff switch
- Mirrors
- Rear window for emergency exit
- Rear vision camera
- Capability to connect a beacon
- Bolt on FOGS capability
- Service walkways
- Safety hammer for breaking cab glass

INTEGRATED TECHNOLOGIES

- Product Link

374F L Optional Equipment

Optional Equipment

Optional equipment may vary. Consult your Cat dealer for details.

FRONT LINKAGE

- Reach boom 7.8 m (25'7"):
 - R4.67 VB2 (15'4")
 - R4.15 VB2 (13'7")
 - R3.6VB2 (11'10")
- VB2 – family bucket linkage (with or without lifting eye)
- Mass boom 7.0 m (23'0"):
 - M2.57WB2 (8'6")
 - WB2 – family bucket linkage (with or without lifting eye)
- CW dedicated Quick Coupler

TRACK

- 750 mm (26 in) double grouser heavy duty
- 900 mm (36 in) double grouser heavy duty

COUNTERWEIGHT

- With or without removal device

ENGINE

- Fast fill port for fuel
- Starting kit, cold weather, –18° C (0° F)

GUARDS

- FOGS (Falling Object Guard System) including overhead and windshield guards
- Vandalism guards for windshield
- Track guiding guards:
 - Full length
 - Segmented, three pieces
 - Center section

LIGHTS

- Cab working lights, halogen
- Cab working lights, HID
- Boom working lights, halogen
- Boom working lights, HID

HYDRAULIC SYSTEM

- Boom and stick lowering control devices with SmartBoom
- Counterweight removal device
- HP hydraulic lines for boom and stick
- MP hydraulic lines for boom and stick
- QC hydraulic lines for boom and stick
- Universal QC control
- Bio oil

ELECTRICAL

- Cold weather starting package, 240V
- Electric refueling pump
- Fast fill fuel system

CAT CONNECT TECHNOLOGIES

- Cat Production Measurement
- Side-view camera

For more complete information on Cat products, dealer services, and industry solutions, visit us on the web at www.cat.com

AEHQ7884
(AmN)

© 2016 Caterpillar
All rights reserved

Materials and specifications are subject to change without notice. Featured machines in photos may include additional equipment. See your Cat dealer for available options.

CAT, CATERPILLAR, SAFETY.CAT.COM, their respective logos, "Caterpillar Yellow" and the "Power Edge" trade dress, as well as corporate and product identity used herein, are trademarks of Caterpillar and may not be used without permission.

VisionLink is a trademark of Trimble Navigation Limited, registered in the United States and in other countries.

