



CAT[®] F-SERIES PAVERS AND SCREEDS

BUILT FOR IT.™



CONTENTS

| | |
|--|--------|
| Cat Features | 4, 5 |
| Paver Features and Specifications | |
| Integrated Generator | 6, 7 |
| Fuel Efficient Engines | 8, 9 |
| Operating Environment | 10, 11 |
| Operating Console | 12, 13 |
| Material Delivery | 14, 15 |
| Wheel Undercarriage | 16, 17 |
| Mobil-Trac™ Undercarriage | 18, 19 |
| Steel Track Undercarriage | 20, 21 |
| Paver and Screed Compatibility | 22 |
| AP500F | 23 |
| AP555F | 24 |
| AP600F | 25 |
| AP655F Mobil-Trac | 26 |
| AP655F Steel Track | 27 |
| AP1000F | 28 |
| AP1055F | 29 |
| Screed Overview | 30, 31 |
| Tamper-Bar System | 32, 33 |
| Screed Controls | 34, 35 |
| SE50 V Screed | 36 |
| SE50 VT Screed | 37 |
| SE60 V Screed | 38 |
| SE60 V XW Screed | 39 |
| SE60 VT XW Screed | 40 |
| Wide Width Screed Features | 41 |
| Screed Extensions | 42, 43 |
| Cat® Grade Control | 44, 45 |
| Product Link™ | 46 |
| Customer Support | 47 |
| Mobile Apps | 48, 49 |
| Training and Solutions | 50, 51 |



^ **AP555F/SE50 V**
Urban Street



^ **AP500F/SE8**
Rural Road



^ **AP655F/SE60 VT XW**
RCC Mix



^ **AP1055F/SE60 V XW**
Residential Street

PAVING ROADS

ALL DAY. EVERY DAY.

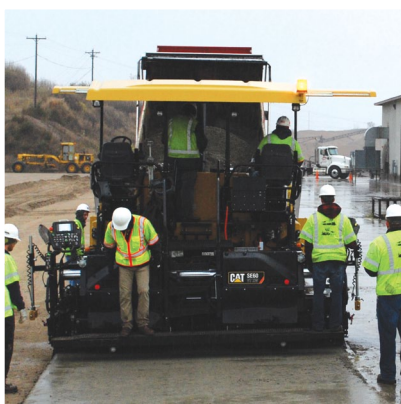
At Caterpillar Paving Products, all we think about is paving. Worldwide, no other manufacturer has more people dedicated to helping paving customers increase productivity, quality and profitability than Caterpillar.

Our line of Cat pavers and screeds reflect that dedication, providing customers with durable, reliable and versatile machines that lower risk and increase mat quality.

We invite you to compare our pavers side-by-side with competitive machines—the quality and value of our machines will stand out. Visit your local Cat dealer today and see what makes Caterpillar the first choice of paving customers around the globe.



^ **AP600F/SE50 VT**
Pathway



^ **AP1055F/SE60 VT XW**
RCC Mix



^ **AP1000F/SE60 V**
Highway



^ **AP655F/SE8**
Urban Street

SIMPLY ADVANCED

TECHNOLOGY BOOSTS PERFORMANCE

HIGH RETURN ON INVESTMENT

- Higher resale value: long-life components, and latest engine emission technology
- Exclusive 70 kW integrated generator, designed for long life by the same team that developed the D7E electric drive track-type tractor
- Fast heating screed leads to more daily production, heating time in as little as 15 minutes from 5° C to 130° C (41° F to 266° F)
- Undercarriage designs limit tow-point movement for excellent paving results
- Exclusive air flow improves operating conditions for the crew and keeps components cooler for lasting durability

QUALITY RESULTS, IMPROVED EARNINGS

- SE-Series screeds deliver excellent ride, density, and mat texture while providing superior adjustment capabilities up to 10.0 m (33')
- Tamper-bar screeds provide excellent pre-compaction for higher densities behind the screed
- Tow-point utilizes exclusive linkage design for optimal screed flotation
- 2-speed proportional control on the screed extenders provides versatile control

ADVANCED TECHNOLOGY

- Exclusive screed heating system monitors elements for failure conditions, eliminates unnecessary replacement
- Cat Grade Control option integrated into the tractor and screed displays for optimized operator efficiency
- Propel and feeder system settings transfer between stations with a single switch; Cat exclusive
- Auto-fill feeder system simplifies setup
- Single touch feeder system activation optimizes efficiency
- Automated travel feature; augers and hydraulic mainframe extensions raise with the screed, preventing damage during transport
- Product Link remotely monitors machine location, daily hours of operation, fuel consumption, fault codes, and preventative maintenance status, for optimal machine support

Performance improvements and technology with a customer-friendly interface are key benefits of the new F-Series Pavers.



"We have hit our target specs on all the jobs it's worked on. It's the paver we use to reach smoothness!"

– Cat Paving Contractor

LOWER OWNING AND OPERATING COSTS

- Exclusive Eco-mode and Automatic Engine Speed Control reduce fuel consumption and lower sound levels for better comfort and communication
- 4-pump feeder system is designed for high production in Eco-mode, leads to lower fuel consumption
- Million cycle keypad switches
- Conveyor bed plates and chain guards designed to minimize labor requirements and provide lower cost replacement
- Heating elements slide-out for easy replacement
- Machined screed frames simplify screed plate leveling

UNMATCHED AFTER-THE-SALE SUPPORT

- Strategically located dealers with 24/7 support
- In-the-Iron service training for technicians
- Paver Operator Training helps maximize machine performance
- Project consulting helps improve technique and job site management



QUICK STARTER

INTEGRATED GENERATOR SAVES TIME AND FUEL

FASTER HEAT, LOWER FUEL CONSUMPTION

Exclusive 70 kW Integrated Generator

- Developed by the same team that designed D7E electric drive, track-type tractor
- Designed to last for the life of the paver, oil-cooled, direct drive delivers reliable performance
- Fast heating leads to less waiting, reduced fuel consumption, and more daily production
- Even heat distribution throughout the screed plates

EXCLUSIVE SYSTEM MONITORING

- Exclusive system monitors heating elements for failure conditions, eliminates unnecessary replacement
- Temperature zone monitoring allows heating to continue in the event of a temperature sensor failure
- Warning/failure indicators delivered through the LCD displays
- Heating system can be monitored through Product Link

QUIET OR QUICK HEATING OPTIONS

Quiet Heat

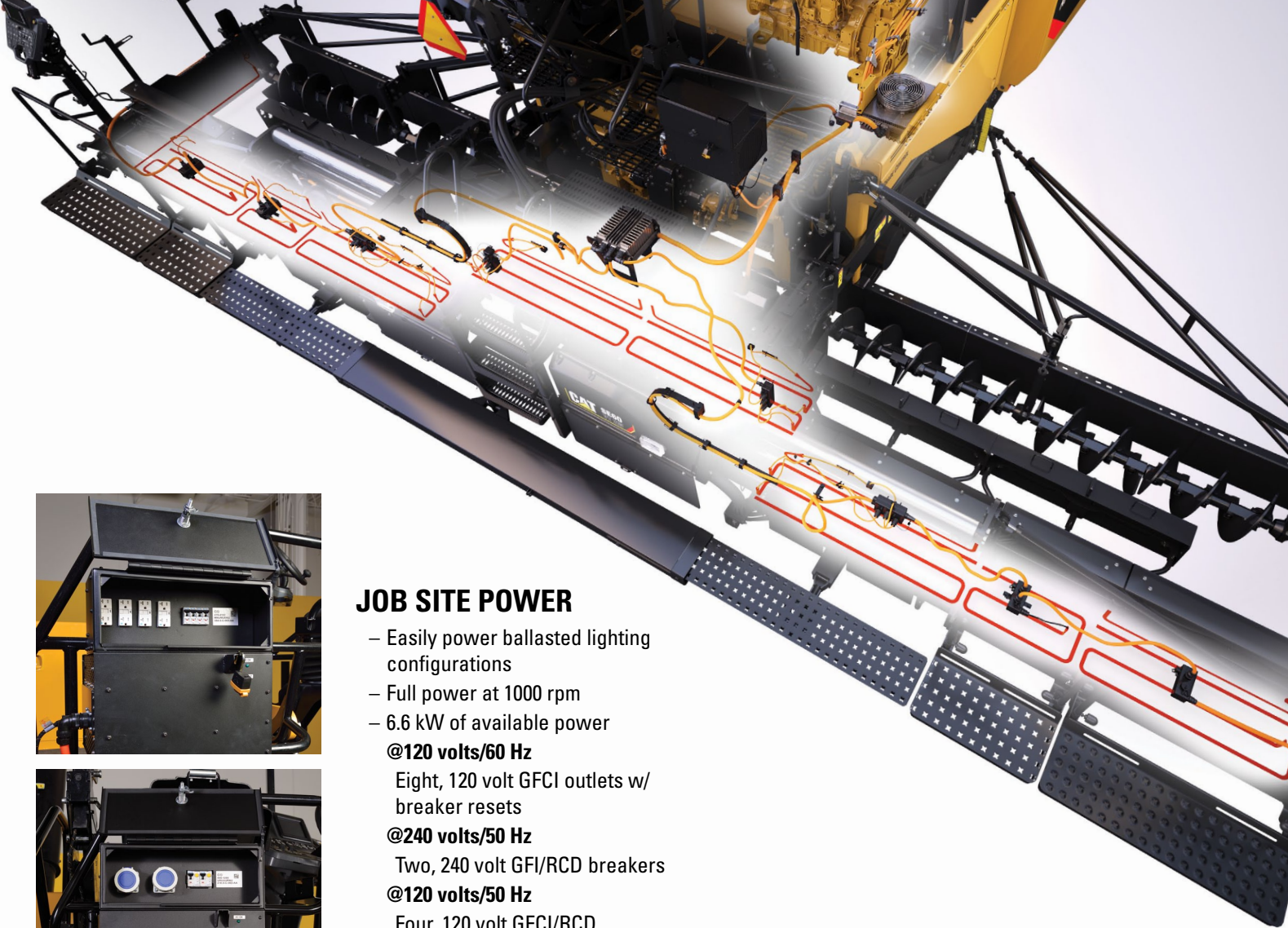
- Low sound levels
- 1300 rpm engine speed
- 15 minute heating time to 130° C (266° F) from 5° C (41° F) ambient temperatures at standard paving widths
- 35 minute heating time to 130° C (266° F) from 5° C (41° F) ambient temperatures when equipped with wide width extension packages

Quick Heat

- Wide-width paving packages only
- Note: At standard widths quick heat will not heat any faster than quiet heat*
- Variable engine speed, adjusts to the minimum required rpm
- 25 minute heating time to 130° C (266° F) from 5° C (41° F) ambient temperatures when equipped with wide width extensions packages

“The screed heats more quickly at the start of the shift and the even heat throughout the screed is essential to preventing segregation.”

– Cat Paving Contractor



JOB SITE POWER

- Easily power ballasted lighting configurations
- Full power at 1000 rpm
- 6.6 kW of available power

@120 volts/60 Hz

Eight, 120 volt GFCI outlets w/
breaker resets

@240 volts/50 Hz

Two, 240 volt GFI/RCD breakers

@120 volts/50 Hz

Four, 120 volt GFCI/RCD
breakers

**Configurations vary by region, contact
your dealer for more information.*



High-powered generator easily powers nighttime lighting configurations.



Quiet or quick heating made easy through the LCD display. Quick heating offers time-savings when utilizing wide-width packages.



Three preset heating options provide a wide range of temperatures for various mix designs.

FUEL EFFICIENT AND QUIET

TECHNOLOGY, INCLUDING ECO-MODE
OPTIMIZE POWER





ENGINES

U.S. EPA Tier 4 Final/EU Stage IV Engine Features

- Self-Activating Regeneration
 - Easy-fill DEF tank, assists with regeneration
 - 19.1 L (5 gal) capacity
 - Refill when fueling
- Ultra Low Sulfur Diesel (ULSD) fuel is required
(Bio-diesel up to B20 can be utilized when blended with ULSD, refer to the Cat Fluids Guide for more information)
- Engine oil must meet Caterpillar ECF-3, API CJ-4/ACEA E9 specifications

The following engines meet U.S. EPA Tier 4 Final and EU Stage IV emission standards.

| Machine | Engine | Power Rating at 2200 RPM |
|---|-------------------|--------------------------------|
| AP500F AP555F | Cat C4.4 ACERT | 106 kW, 144 hp (M), 142 hp (I) |
| AP600F AP655F Mobil-Trac AP655F Steel Track | Cat C4.4 ACERT | 129 kW, 175 hp (M), 173 hp (I) |
| AP1000F AP1055F Mobil-Trac | Cat C7.1 ACERT | 168 kW, 228 hp (M), 225 hp (I) |

(M) Metric Horsepower
(I) Imperial Horsepower

The following engine meets emissions equivalent to U.S. EPA Tier 3, EU Stage IIIA and China Stage III requirements.

| Machine | Engine | Power Rating at 2200 RPM |
|---|----------|--------------------------------|
| AP500F AP555F | Cat C4.4 | 106 kW, 144 hp (M), 142 hp (I) |
| AP600F AP655F Mobil-Trac AP655F Steel Track | Cat C7.1 | 151 kW, 205 hp (M), 202 hp (I) |
| AP1000F AP1055F Mobil-Trac | Cat C7.1 | 186 kW, 252 hp (M), 249 hp (I) |

(M) Metric Horsepower
(I) Imperial Horsepower

REDUCED FUEL CONSUMPTION AND LOWER SOUND LEVELS

Don't waste fuel or power, Eco-mode and Automatic Engine Speed Control combine to optimize engine speed and deliver the power when needed. F-Series pavers improve fuel efficiency by 5% over the E-Series pavers and up to 20% over some other manufacturers.

Eco-mode

- Eco-mode, utilizes an engine speed of 1650 rpm for reduced fuel consumption and lower sound levels
- Well suited for most applications

Automatic Engine Speed Control

- Engine operates at 2200 rpm when the propel lever moves from neutral
- When activated, engine speed is reduced to idle speed of 1000 rpm when the propel lever is moved to neutral or to 1300 rpm when screed heat is active

Advanced Eco-mode

- Combines Eco-mode and Automatic Engine Speed Control
- Engine speed increases to 1650 rpm when the propel lever moves from neutral
- Modifies engine speed based on load
- If the upper power threshold is exceeded, the engine speed will increase to 2200 rpm and remain there until the load drops below the minimum threshold and remains there for 30 seconds

MORE COMFORT FOR YOUR CREW

FIGHT FATIGUE, IMPROVE PERFORMANCE

BETTER VISIBILITY

- Dual independent stations can extend beyond the frame for good all-around visibility, also offer backup capability
- Low profile front-mounted cooling system improves forward visibility
- The auger assembly has been redesigned to improve visibility into the auger chamber
- 12-volt power receptacle, supports communication devices
- Upper and lower tow-point indicators simplify height adjustment for tractor and screed operators

EXCEPTIONAL COMFORT

- Heated seat option, pneumatic suspension, multiple adjustments, and tilting consoles provide day-long comfort
- Quiet operation supports clear communication
- Cup holders offer convenience
- Intuitive touch screen color display keeps the operator informed and in control
- USB port simplifies software updates



Machine settings automatically transfer between stations, simply press the button to resume paving.





The ventilation system draws fumes from the conveyor tunnel as well as the auger chamber and redirects them away from the operator for a more comfortable working environment.

COOLER AND QUIETER

AIRFLOW DIRECTS FUMES AND SOUND AWAY FROM THE CREW

BETTER OPERATING CONDITIONS

- Operator-friendly environment
- Top-mounted cooling system directs fumes, hot air, and fan noise away from crew
- Cooling system redirects fumes surge that occurs when mix is dumped into the hopper
- Ventilation system removes and redirects vapors from the conveyor tunnels and auger chamber



EASY ADJUSTMENT

TECHNOLOGY HELPS OPERATORS PERFORM



TOP FEATURES

1. Automated Hopper Functions
2. New Mix Delivery Technology
3. Million Cycle Switches
4. Water Resistant Console and LCD Display
5. Integrated Cat Grade Control
6. Generator Activation
7. Day or Night Brightness Control
8. Eco-Mode and Automatic Engine Speed Control
9. Automatic Station/Settings Transfer

EASY RECOGNITION

- Multiple language options
- Intuitive symbols and large graphics simplify operation
- Adjustable brightness control for easy viewing day or night
- Raised switch design enables easy recognition for better efficiency and performance

INTERACTIVE LCD DISPLAY

- Touch-screen access to:
 - Generator activation, auxiliary power
 - Screed temperature control
 - Tamper and vibratory speeds
 - Mix height adjustment, *previously only available from the screed console*
 - Service code information
 - Screed heating zones
 - Integrated Cat Grade Control
 - Stored operator preferences

EXCEPTIONAL DURABILITY

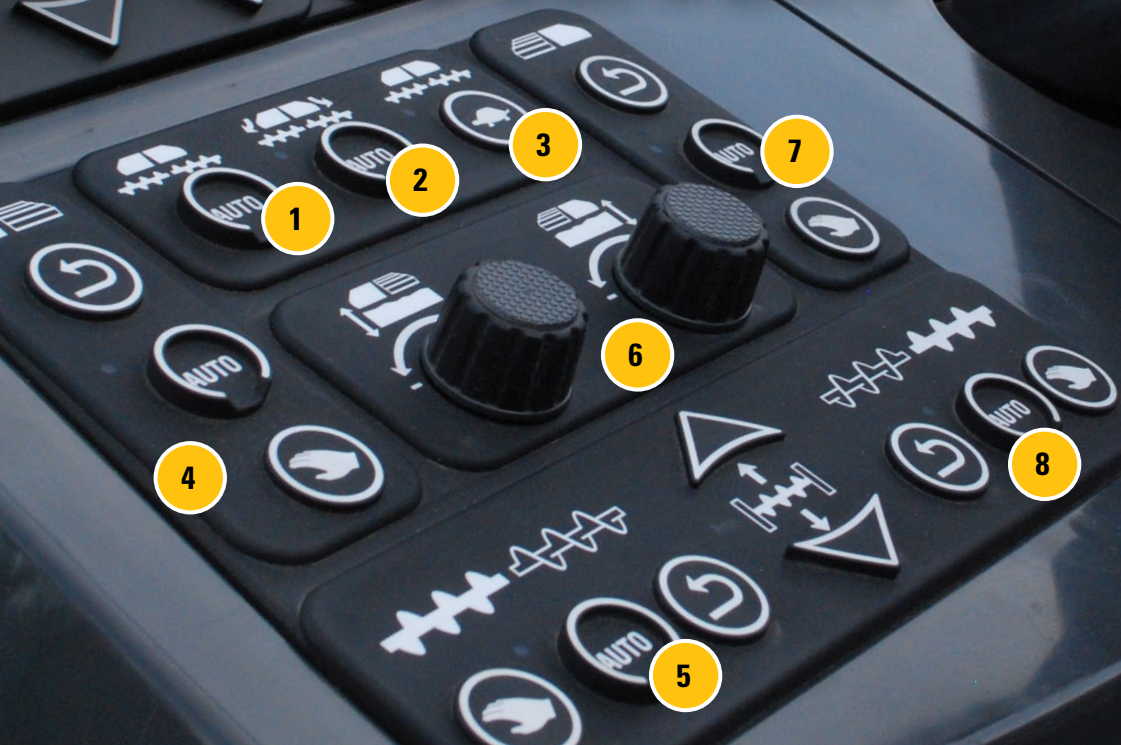
- Water resistant for excellent reliability, meets IP67 common water submergence ratings
- Durable million cycles switches
- Grouped component replacement, no need to replace the entire console
- Durable switch cover withstands extreme conditions



The AP655F steel track model utilizes a dial in place of the standard steering wheel.



MATERIAL DELIVERY



MIX DELIVERY

1. Single-Touch Feeder System
2. Auto-Fill System
3. Warm-up, Clean-out Mode
4. Left Side Conveyor Controls
5. Left Side Auger Controls
6. Conveyor Ratio Control Dials
7. Right Side Conveyor Controls
8. Right Side Auger Controls

HIGH PRODUCTION FEATURES

- 4-pump feeder system is designed with oversized components for high production in Eco-mode
- Wide tunnel and optimally spaced conveyor bars ensure smooth flow to the auger chamber
- Push-roller includes four horizontal and two vertical positions that conform to various trucking fleets for smoother exchanges
- Thick floor plates and robust hopper design easily handle hopper inserts

EASY OPERATION

Auto-Fill Feeder System

- Simplifies starts by alternating the conveyors and augers until the mix height reaches the sensor set point

Single-Touch Feeder System

- Automatically activates the entire feeder system with a single button for better efficiency

One-Touch Hopper Control

- The hopper wings and front hydraulic apron (if equipped) can be folded with a single touch and release
- The system can be tailored to activate left or right wings together or independently, with front hydraulic apron, or all three together

Cleanout/Warmup Mode

- Activates the augers, conveyors, and tamper bar (if equipped) in slow speed, enables the application of release agents to prevent material build-up

Mix Height Adjustment

- Mix height adjustment from the tractor LCD display offers more control, previously only available from the screed

The paver takes off nicely with no noticeable joints, yields a quality ride!

– Cat Paving Contractor

IMPROVED DESIGNS

New Components

- Thicker conveyor chain guards, heavy-duty chains, and stout conveyor bars deliver lasting performance and lower lifetime operating costs
- The auger assembly has been angled toward the tractor for better visibility and material flow
- Standard entry and low entry hopper designs for the AP1000F and AP1055F
 - Easily accept hopper inserts
- Low entry hopper design maintains a flat profile for an enhanced truck interface
 - Low entry design is wider than the standard entry hopper

Hydraulic Mainframe Extensions

- The optional 457 mm (18") hydraulic mainframe extensions attach to the auger assembly and provide smooth material flow out to the extenders

Automated Travel Mode

- The augers and hydraulic mainframe extensions can be tailored to raise when lifting the screed, this unique feature prevents damage to the augers from curbs and man-hole covers when moving around the job site

Easier Service

- Hardware-free bed plates simplify replacement
- Bottom-side mounting hardware for the chain guards eliminates bolt wear and material build-up for easier replacement

FEED SENSOR OPTIONS

Zero Sensor Paving (manual)

- Set the feeder system to automatic and adjust the mix height setting, no need to hold the manual switch and run full on/off as previous models required

Two Sensor Feeder System

- Utilizes ratio control to automatically adjust mix flow, mechanical or sonic sensors available

Four Sensor Feeder System

- Utilizes 2 sensors to control the conveyors and 2 sensors to control the augers, mechanical or sonic sensors available

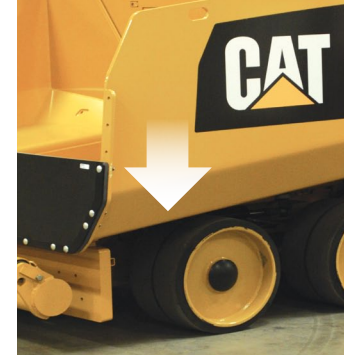
Low Entry Hopper

Standard on all models.

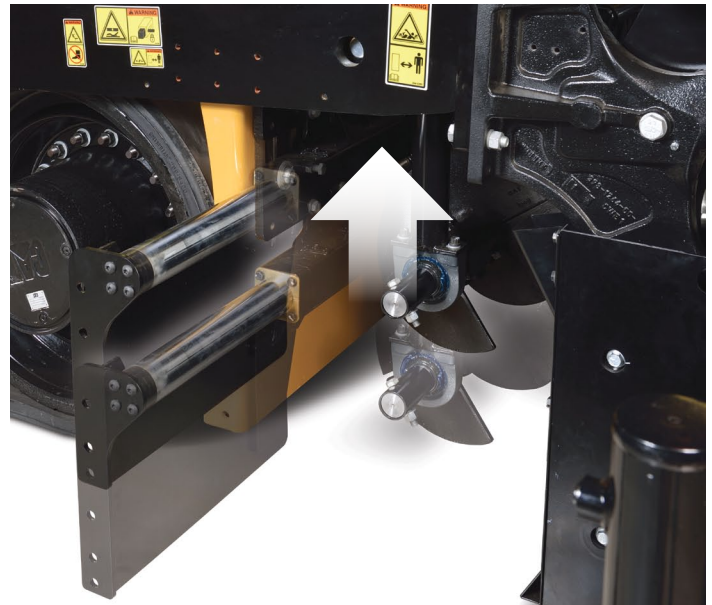


Standard Entry Hopper

AP1000F, AP1055F option



Hydraulic Mainframe Extension

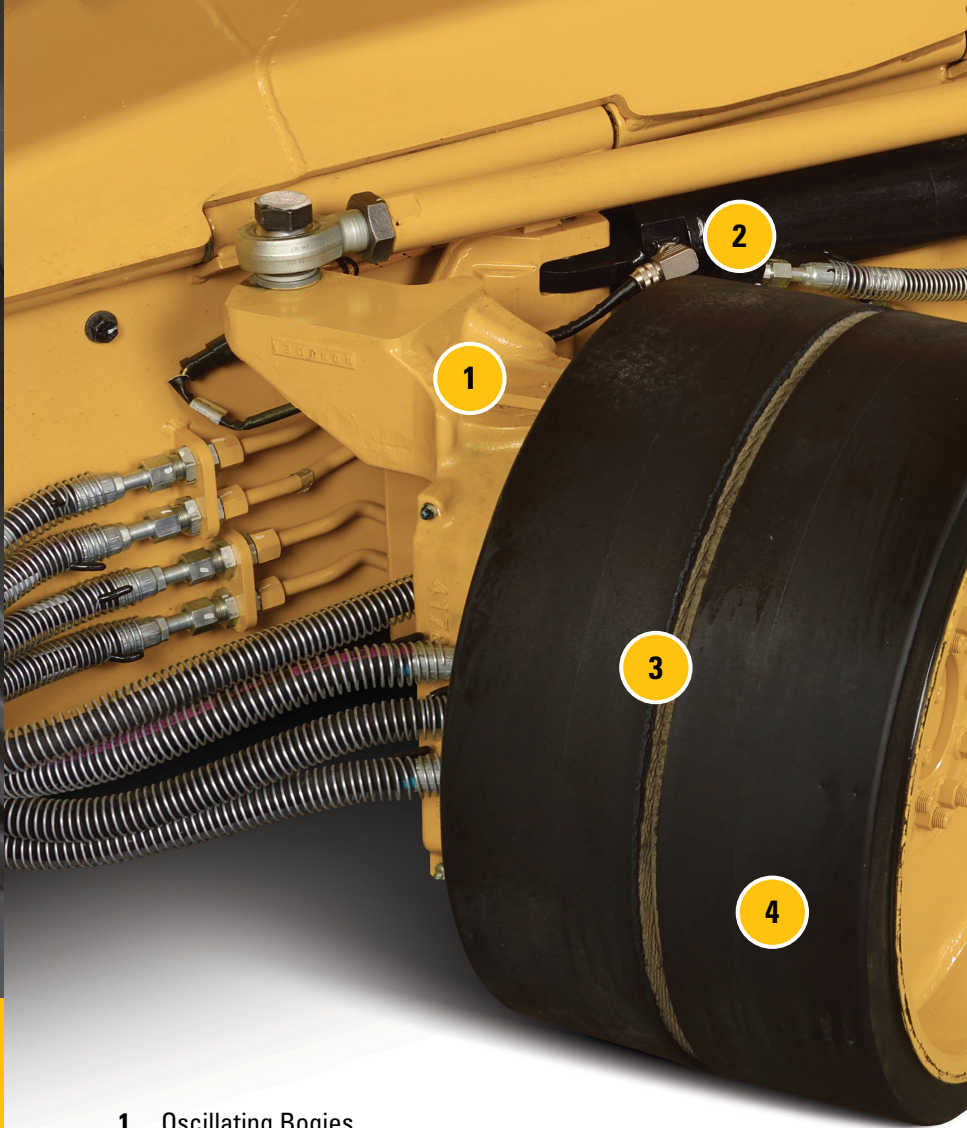


Feed Sensor Options

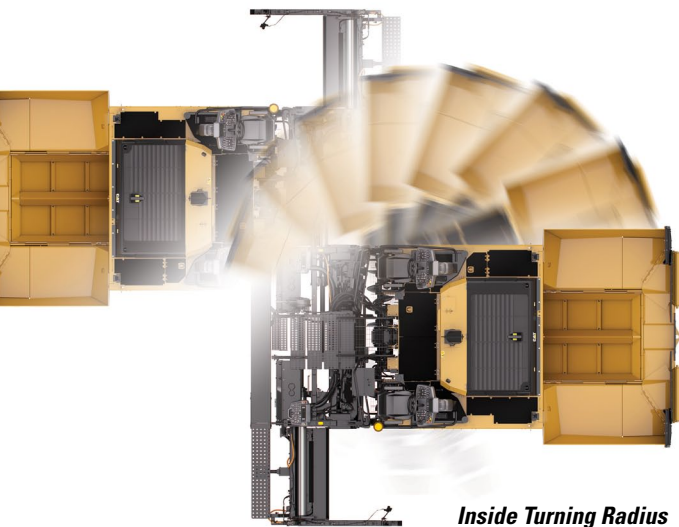




Adjustable front wheel assist and all-wheel drive torque prevent slippage for better traction and mat quality.



1. Oscillating Bogies
2. Steering Position Sensor
3. Dual Solid Front Steering Wheels
4. Front Wheel Assist
5. All-Wheel Drive
6. Large Drive Tires



Inside Turning Radius

Quick reacting speed control ensures that responsive power is immediately available, while the wheeled undercarriage provides mobility and high speed capability when moving around the job site.



RESPONSIVE POWER

OPTIONS ADD PULL

EXCELLENT MANEUVERABILITY

- Tight turning radius for quick mobility
- The oscillating design easily overcomes obstacles, eliminates jarring effects and minimizes tow-point movement
- New radial tire design improves traction by up to 20% over previous series tires (AP1000F only)

Power Turning System

- A position sensor located in the left steering cylinder helps maintain consistent travel speeds when making turns by adjusting the drive speed of the propel motors according to the steering angle of the front wheels, leading to better mat quality and less wear on the drive system
- Provides power and traction to push trucks through turns

MOBILITY

- Pave, Travel and Maneuver modes
 - Pave: Improved steering control when paving
 - Travel: Maximum speeds
 - Maneuver: Optimizes steering control and delivers a tight inside turning radius:
 - AP500F – 0.35 m (1.15')
 - AP600F – 1.4 m (4.5')
 - AP1000F – 0.5 m (1.5')

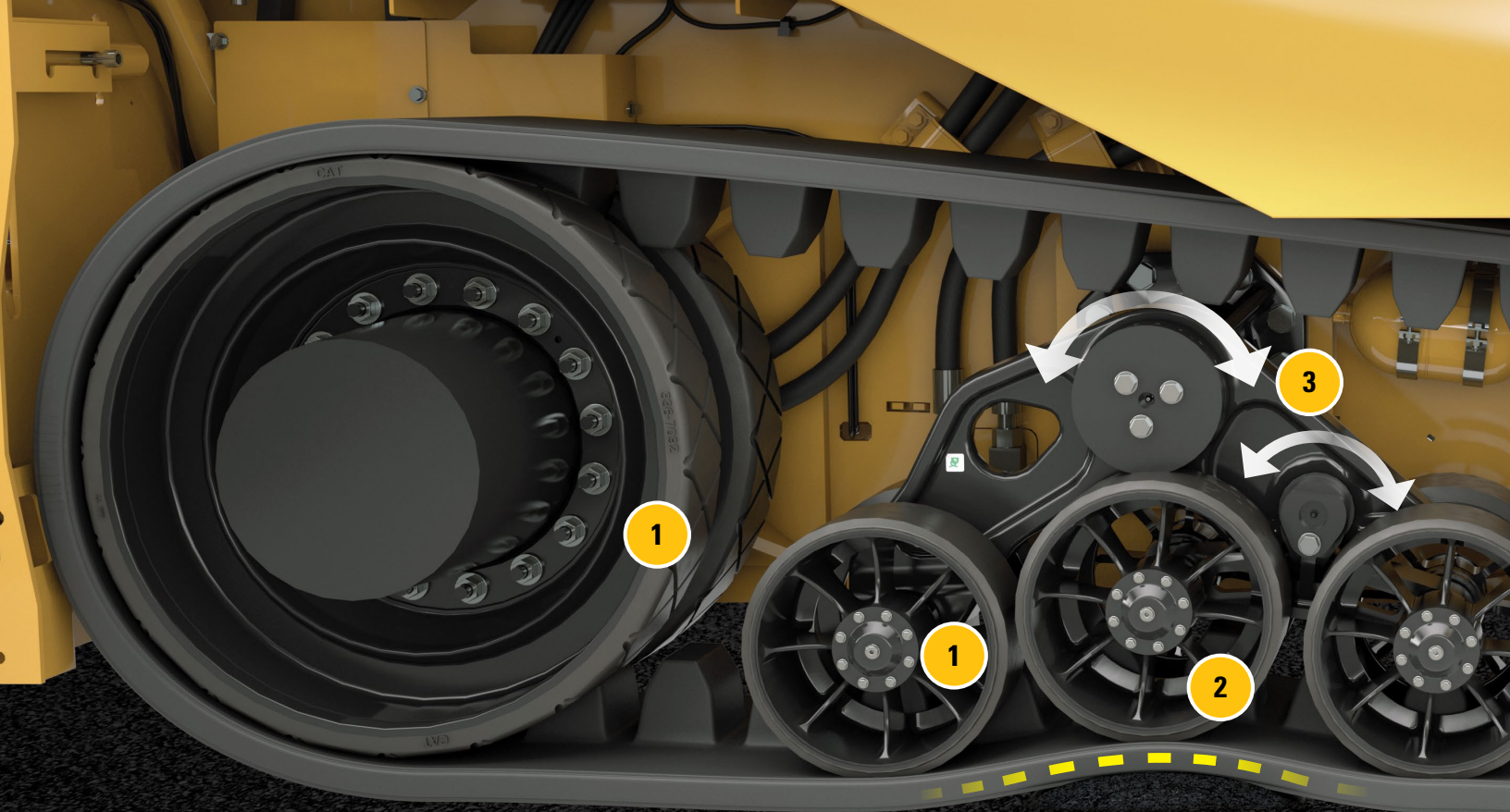
FRONT WHEEL ASSIST OR ALL-WHEEL DRIVE

Four Wheel Drive (Option)

- Provides power to the front two bogie wheels for added traction when pushing trucks or working on soft base
- Dedicated pump delivers a 50% increase in front wheel torque over previous models for better traction

All-Wheel Drive (Option)

- Provides power to the front and rear bogie wheels, maximizing traction
 - 200% increase in pull force over previous models



EXCELLENT TRACTION HIGH SPEEDS

MOBIL-TRAC DELIVERS RIDE SIMILAR
TO WHEELED PAVERS

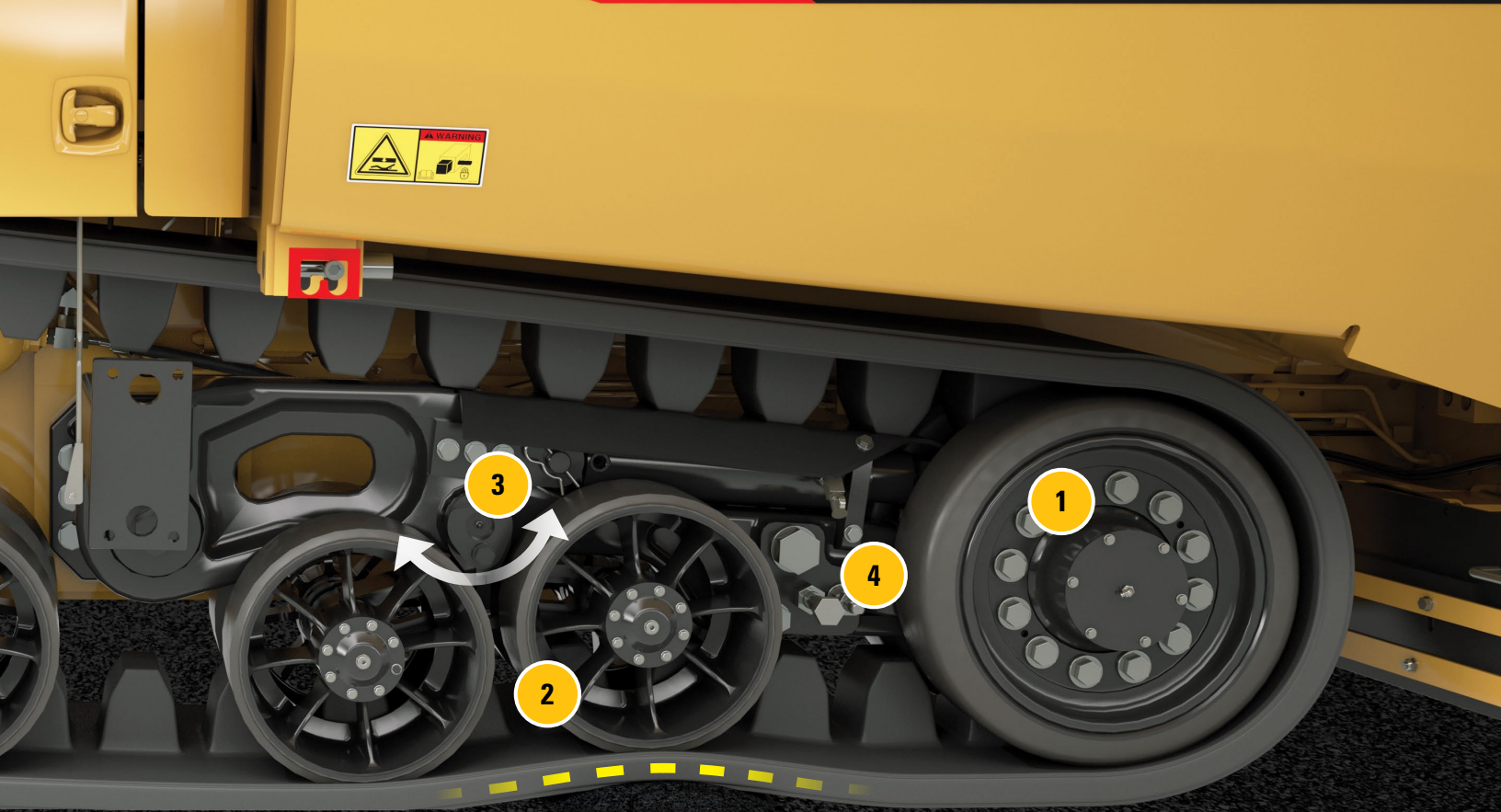
Maintenance-free and unmatched traction in both a smooth or tread-bar style belt; the Mobil-Trac™ undercarriage provides excellent flotation, smooth travel, and high speed capability.

MOBILITY

- High speed capability; similar to wheeled pavers
- Pave, Travel and Maneuver modes
 - Pave: Improved steering control when paving
 - Travel: Maximum speeds
 - Maneuver: Optimizes steering control and enables the paver to rotate within its own footprint

DURABILITY

- Self-tensioning accumulators, center guide blocks and rugged internal belt cables ensure durability
- Rubber-coated components designed to shed asphalt and prevent accumulation



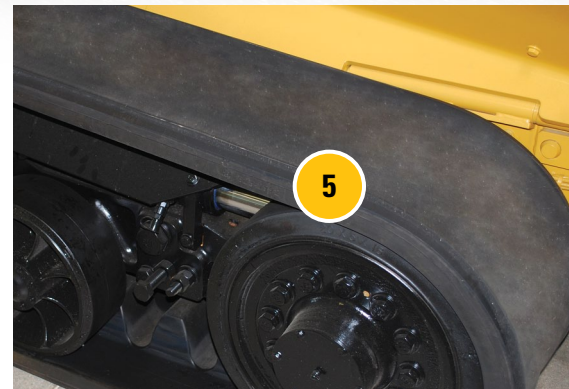
1. Rubber-Coated Components
2. Oscillating Bogies
3. Pivot Point
4. Automatic Belt Tensioning
5. Smooth Belt
6. Tread-bar Belt

SMOOTH RIDE

- Oscillating bogie design delivers ride similar to wheeled paver
- Pivoting design eliminates jarring effects caused by milled cuts
- Guide lugs keep the tracks centered for reliable performance

PERFORMANCE

- Mobil-Trac undercarriage design minimizes tow-point movement
- Front and rear bogie sets crawl over obstacles; maintain ground contact and minimize tow-point movement
- Smooth belt performs well on soft base materials and fresh mats
- Tread-bar belt excels on loose paving/transport conditions
- Outstanding traction in any condition
- Excellent flotation and low ground pressures due to the large track area





STEEL TRACK (AP655F)

UNIQUE BOGIE SYSTEM DELIVERS SMOOTH RIDE

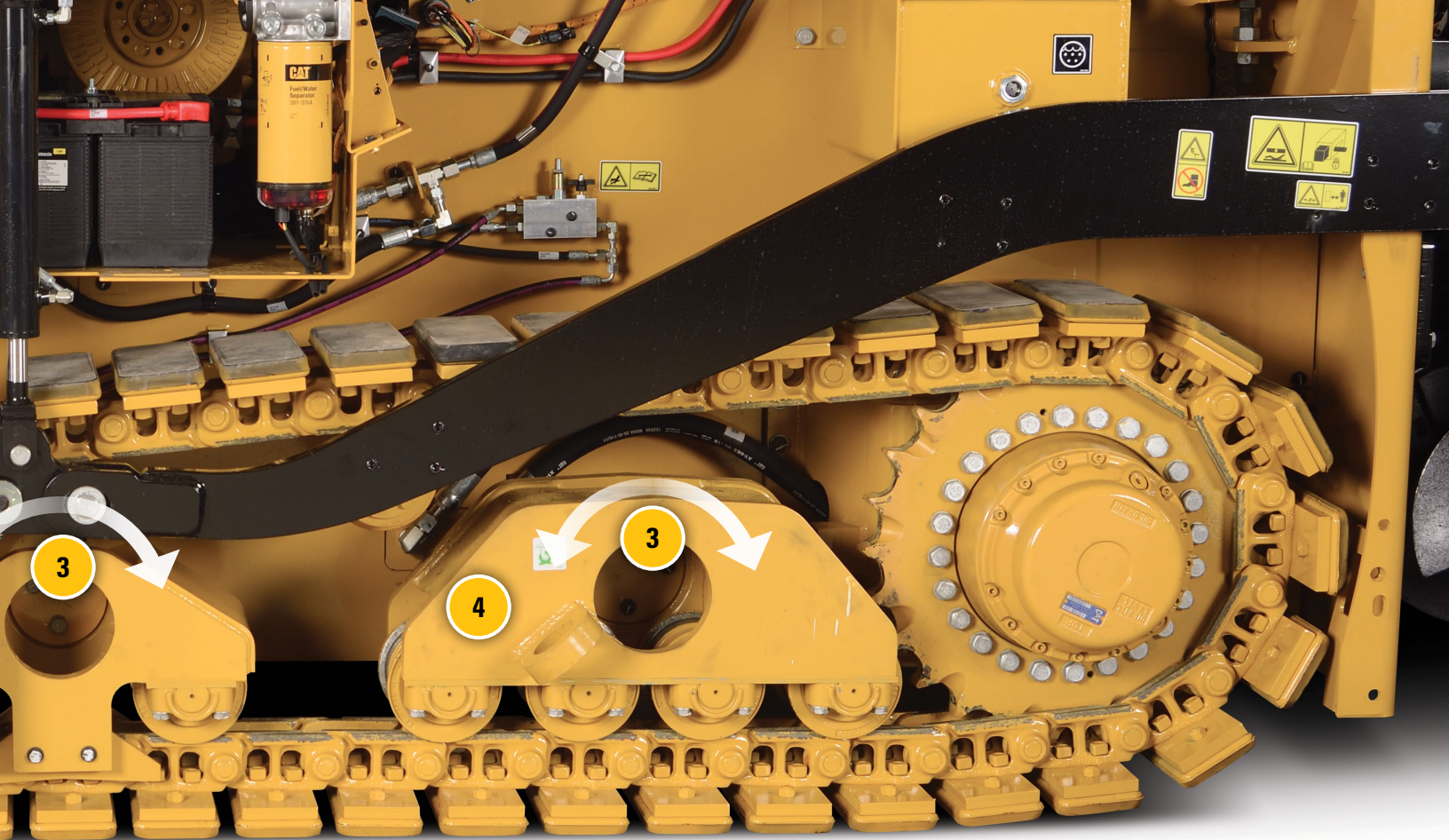
Low maintenance design with oscillating bogie sets and large track pads provide excellent flotation and smooth travel.

EVEN WEIGHT DISTRIBUTION

- Quad rear bogie design provides even weight distribution for excellent traction and a smooth ride
- Pave, Travel and Maneuver modes
 - Pave: Improved steering control when paving
 - Travel: Maximum speeds
 - Maneuver: Optimizes steering control and enables the paver to rotate within its own footprint

EXCELLENT FLOTATION

- Large footprint of 3048 mm by 356 mm (120" x 14") offers good performance on soft base materials



1. Track Plow
2. Automatic Track Tensioning
3. Pivot Point
4. Quad Rear Bogie

DURABLE COMPONENTS

- Track components similar to the Cat Track-Type tractors ensure reliability
- Bonded track pads containing unique compounds provide excellent wear characteristics

TRACK PLOW

- Robust track plow moves material from spills and grade defects away from the track area for a consistent ride that limits tow-point movement
- Replaceable wear strips and durable backing ensure performance

PAVER AND SCREED COMPATIBILITY CHART

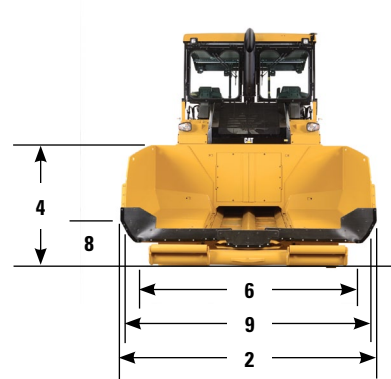
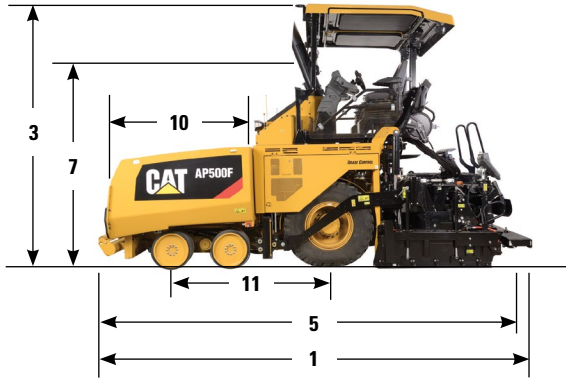
| | SE50 V Vibratory Screed | SE50 VT Vibratory and Tamper Screed | SE60 V Vibratory Screed | SE60 V XW Extra-wide Vibratory Screed | SE60 VT XW Extra-wide Vibratory and Tamper Screed |
|-------------------------|--------------------------------------|--|--------------------------------------|---|---|
| AP500F Paver | ● | Requires Tamper Ready Paver | | | |
| AP555F Paver | ● | Requires Tamper Ready Paver | | | |
| AP600F Paver | ● | Requires Tamper Ready Paver | ● | | |
| AP655F Paver | ● | Requires Tamper Ready Paver | ● | ● | Requires Tamper Ready Paver |
| AP1000F Paver | | | ● | ● | Requires Tamper Ready Paver |
| AP1055F Paver | | | ● | ● | Requires Tamper Ready Paver |

Note: Tamper ready pavers are equipped with additional hydraulics including, pump, valve, and hoses to support the tamper bar system.

OPTIONAL EQUIPMENT

- Air-ride Seat w/Heat
- All-Wheel Drive
- Auger and Mainframe Extensions
- Auxiliary Power Panel (2nd)
- Ballast (front bumper)
- Cat Grade and Slope Controls
- Decelerator Pedals
- Ecological Washdown System
- Feeder Sensor (mechanical or sonic)
- Friction Steering
- Hard Top Canopy
- Front Wheel Assist
- HID Lights
- Leveling Devices
- Lights (Working or Roading)
- Smooth/treadbar belt
- Oscillating Push Roller
- Power Folding Front Apron
- Power Mainframe Extensions
- Product Link
- Screed Extensions
- Tow-point Indicators (Upper)
- Track Plow
- Truck Hitch
- Umbrella
- Up-time Kit
- Warning Beacon
- Wide Width Paving Packages
- Windshield w/hard top canopy

AP500F SPECIFICATIONS



Dimensions

| | | | |
|-----------|--|---------|---------|
| 1 | Operating length w/SE50 V, SE50 VT screeds | 6291 mm | 20' 7" |
| 2 | Operating width | 3306 mm | 10' 10" |
| 3 | Operating height, top of exhaust stack | 3877 mm | 12' 8" |
| 4 | Operating deck height | 1780 mm | 5' 10" |
| 5 | Transport length | 6213 mm | 20' 4" |
| 6 | Transport width | | |
| | with SE50V, SE50 VT w/endgates | 2762 mm | 9' 1" |
| | with SE50V, SE50 VT w/endgates folded | 2550 mm | 8' 4" |
| 7 | Transport height - canopy retracted | 3048 mm | 10' |
| | Transport height - without canopy | 2920 mm | 9' 7" |
| 8 | Truck entry height - manual apron | 510 mm | 20" |
| | hydraulic apron | 496 mm | 19.5" |
| 9 | Truck entry width | 3194 mm | 10' 6" |
| 10 | Hopper length | | |
| | with push-roller - minimum | 2121 mm | 6' 3" |
| | with push-roller - maximum | 2320 mm | 7' 7" |
| 11 | Wheelbase | 2294 mm | 7' 6" |

Powertrain

| | | | |
|--|------------------|------------|------------|
| Cat C4.4 ACERT™ Engine* | 106 kW | 144 hp (M) | 142 hp (I) |
| * Two engine options are available in order to meet U.S. EPA Tier 4 Final/EU Stage IV emission standards or emissions equivalent to U.S. EPA Tier 3, EU Stage IIIA, and China Stage III. | | | |
| Number of Cylinders | 4 | | |
| Engine speed - maximum/minimum | 2200/1000 rpm | | |
| Eco-mode | 1650 rpm | | |
| Screed heating - standard width (Quiet) | 1300 rpm | | |
| Screed heating - w/extensions (Quick) | 1300 to 2200 rpm | | |
| Speed ranges | | | |
| Paving | 76 mpm | 250 fpm | |
| With Tamper-bar screed | 25 mpm | 82 fpm | |
| Travel | 16 km/hr | 10 mph | |
| Inside Turning Radius | 0.35 m | 1.15 ft | |

Weights

| | | |
|--|-----------|-----------|
| AP500F Paver only - shipping | 12 970 kg | 28,599 lb |
| AP500F Paver only - operating | 13 161 kg | 29,020 lb |
| <i>Operating weight includes full fuel tank and 75 kg (165 lb) operator.</i> | | |
| SE50 V Screed only | 3284 kg | 7,239 lb |
| SE50 VT Screed only | 3490 kg | 7,695 lb |

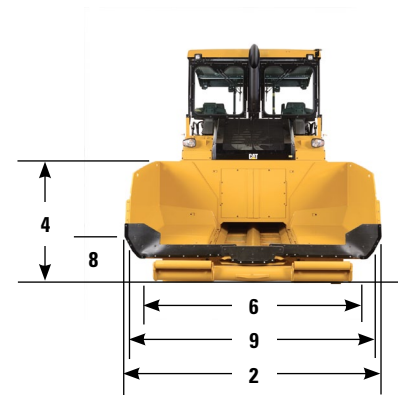
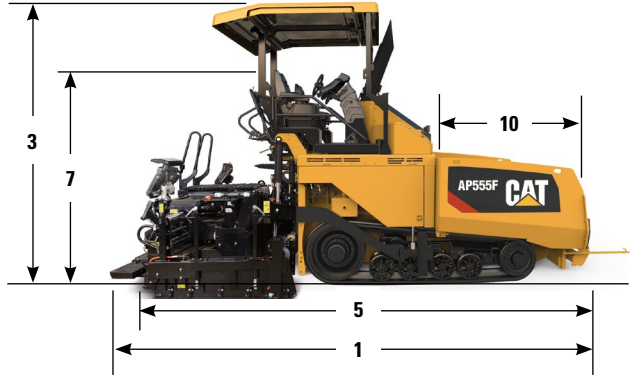
Paving Specifications

| | | |
|-----------------------|--------------|--------------|
| Standard paving range | | |
| with SE50 V, SE50 VT | 2.55 - 5.0 m | 8' 4"-16' 4" |
| Maximum paving width | | |
| with SE50 V, SE50 VT | 6.5 m | 21' 4" |
| Maximum paving depth | 305 mm | 12" |

Capacities

| | | |
|------------------------------|--------------------|---------------------|
| Maximum throughput capacity | 1168 tonnes/h | 1,288 tph |
| Hopper capacity with tunnels | 6.7 m ³ | 237 ft ³ |
| Fuel tank | 179 L | 47 gal |
| DEF (Urea) capacity | 19.1 L | 5 gal |
| Engine oil | 7 L | 1.85 gal |
| Cooling system | 30 L | 7.9 gal |
| Hydraulic tank | 107 L | 28 gal |

AP555F SPECIFICATIONS



Dimensions

| | | | |
|----|---|---------|---------|
| 1 | Operating length | 6323 mm | 20' 9" |
| 2 | Operating width | 3306 mm | 10' 10" |
| 3 | Operating height - top of exhaust stack | 3888 mm | 12' 9" |
| 4 | Operating deck height | 1791 mm | 5' 10" |
| 5 | Transport length with SE50 V, SE50 VT | 6245 mm | 20' 6" |
| 6 | Transport width | | |
| | with SE50 w/endgates | 2762 mm | 9' 1" |
| | with SE50 w/endgates folded | 2550 mm | 8' 4" |
| 7 | Transport height - canopy retracted | 3059 mm | 10' |
| | Transport height - without canopy | 2931 mm | 9' 7" |
| 8 | Truck entry height - manual apron | 531 mm | 21" |
| | hydraulic apron | 517 mm | 20" |
| 9 | Truck entry width | 3194 mm | 10' 6" |
| 10 | Hopper length with push-roller | | |
| | Minimum | 2121 mm | 6' 11" |
| | Maximum | 2320 mm | 7' 7" |

Powertrain

| | | | |
|--|------------------|------------|------------|
| Cat C4.4 ACERT™ Engine* | 106 kW | 144 hp (M) | 142 hp (I) |
| * Two engine options are available in order to meet U.S. EPA Tier 4 Final/EU Stage IV emission standards or emissions equivalent to U.S. EPA Tier 3, EU Stage IIIA, and China Stage III. | | | |
| Number of Cylinders | 4 | | |
| Engine speed - maximum/minimum | 2200/1000 rpm | | |
| Eco-mode | 1650 rpm | | |
| Screed heating - standard width (Quiet) | 1300 rpm | | |
| Screed heating - w/extensions (Quick) | 1300 to 2200 rpm | | |
| Speed ranges | | | |
| Paving | 64 mpm | 210 fpm | |
| With Tamper-bar screed | 25 mpm | 82 fpm | |
| Travel | 11 km/hr | 7 mph | |

Weights

| | | |
|--|-----------|-----------|
| AP555F Paver only - shipping | 13 609 kg | 30,009 lb |
| AP555F Paver only - operating | 13 800 kg | 30,430 lb |
| <i>Operating weight includes full fuel tank and 75 kg (165 lb) operator.</i> | | |
| SE50 V Screed only | 3284 kg | 7,239 lb |
| SE50 VT Screed only | 3490 kg | 7,695 lb |

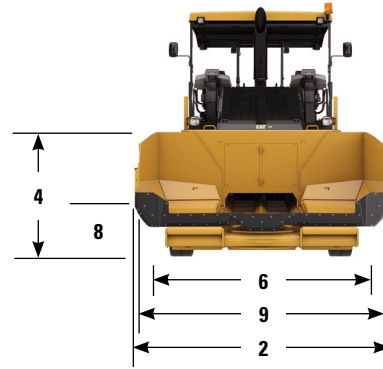
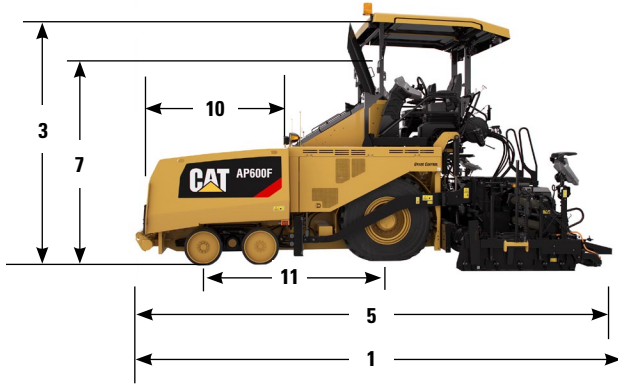
Paving Specifications

| | | |
|-----------------------|--------------|--------------|
| Standard paving range | | |
| with SE50 V, SE50 VT | 2.55 - 5.0 m | 8' 4"-16' 4" |
| Maximum paving width | | |
| with SE50 V, | 6.5 m | 21' 7" |
| with SE50 VT | 7.5 m | 24' 7" |
| Maximum paving depth | 305 mm | 12" |

Capacities

| | | |
|------------------------------|--------------------|---------------------|
| Maximum throughput capacity | 1168 tonnes/h | 1,288 tph |
| Hopper capacity with tunnels | 6.2 m ³ | 219 ft ³ |
| Fuel tank | 179 L | 47 gal |
| DEF (Urea) capacity | 19.1 L | 5 gal |
| Engine oil | 7 L | 1.85 gal |
| Cooling system | 30 L | 7.9 gal |
| Hydraulic tank | 107 L | 28 gal |

AP600F SPECIFICATIONS



Dimensions

| | | | |
|--|---------|---------|--|
| 1 Operating length | | | |
| with SE50 V | 6820 mm | 22' 5" | |
| with SE50 VT | 6820 mm | 22' 5" | |
| with SE60 V | 6825 mm | 22' 5" | |
| 2 Operating width | 3306 mm | 10' 10" | |
| 3 Operating height | | | |
| with canopy, (top of beacon) | 3914 mm | 12' 10" | |
| without canopy | 3802 mm | 12' 4" | |
| 4 Operating deck height | 1850 mm | 6' 1" | |
| 5 Transport length | 6720 mm | 22' 1" | |
| 6 Transport width | | | |
| with SE50-Series w/endgates | 2762 mm | 9' 1" | |
| with SE50-Series w/endgates folded | 2550 mm | 8' 4" | |
| with SE60 V w/endgates | 3211 mm | 10' 6" | |
| with SE60 V w/endgates folded | 3000 mm | 9' 10" | |
| 7 Transport height - canopy retracted | 3098 mm | 10' 2" | |
| Transport height - without canopy | 2997 mm | 9' 10" | |
| 8 Truck entry height - manual apron | 477 mm | 18" | |
| hydraulic apron | 466 mm | 18" | |
| 9 Truck entry width | 3194 mm | 10' 6" | |
| 10 Hopper length | | | |
| with push-roller - minimum | 2215 mm | 7' 3" | |
| with push-roller - maximum | 2414 mm | 7' 11" | |
| 11 Wheelbase | 2276 mm | 9' 1" | |

Powertrain

| | | | |
|--|------------------|------------|------------|
| Cat C4.4 ACERT™ Engine* | 129 kW | 175 hp (M) | 173 hp (I) |
| * Engine meets U.S. EPA Tier 4 Final/E.U. Stage IV emission standards. | | | |
| Cat C7.1 Engine** | 151 kW | 205 hp (M) | 202 hp (I) |
| ** Engine meets emissions equivalent to U.S. EPA Tier 3, EU Stage IIIA, and China Stage III. | | | |
| Number of Cylinders - C4.4 | 4 | | |
| Number of Cylinders - C7.1 | 6 | | |
| Engine speed - maximum/minimum | 2200/1000 rpm | | |
| Eco-mode | 1650 rpm | | |
| Screed heating - standard width (Quiet) | 1300 rpm | | |
| Screed heating - w/extensions (Quick) | 1300 to 2200 rpm | | |
| Speed ranges | | | |
| Paving | 76 mpm | 250 fpm | |
| With Tamper-bar screed | 25 mpm | 82 fpm | |
| Travel | 16 km/hr | 10 mph | |
| Italian Road Homologation | 14.9 km/hr | 9.3 mph | |
| Inside Turning Radius | 1.5 m | 4.5 ft | |

Weights

| | | |
|-------------------------------|-----------|-----------|
| AP600F Paver only - shipping | 13 558 kg | 29,891 lb |
| AP600F Paver only - operating | 13 845 kg | 30,522 lb |

Operating weight includes full fuel tank and 75 kg (165 lb) operator.

| | | |
|---------------------|---------|----------|
| SE50 V Screed only | 3284 kg | 7,239 lb |
| SE50 VT Screed only | 3490 kg | 7,695 lb |
| SE60 V Screed only | 3400 kg | 7,495 lb |

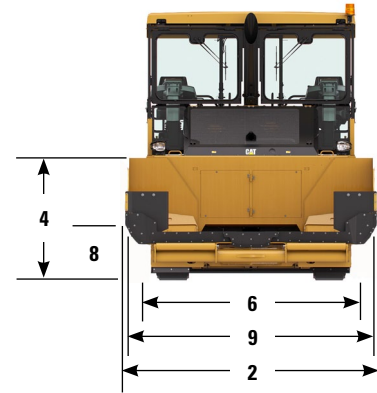
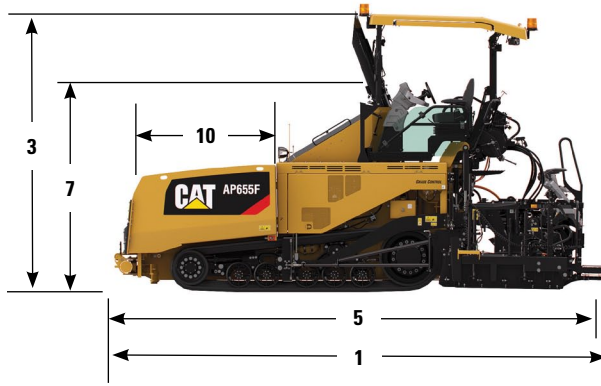
Paving Specifications

| | | |
|-----------------------|--------------|-----------------|
| Standard paving range | | |
| with SE50 V, SE50 VT | 2.55 - 5.0 m | 8' 4" - 16' 4" |
| with SE60 V | 3.0 - 6.0 m | 9' 10" - 19' 6" |
| Maximum paving width | | |
| with SE50 V | 6.5 m | 21' 4" |
| with SE50 VT | 8.0 m | 26' 4" |
| with SE60 V | 7.65 m | 25' |
| Maximum paving depth | 305 mm | 12" |

Capacities

| | | |
|---|--------------------|---------------------|
| Maximum throughput capacity | 1300 tonnes/h | 1,433 tph |
| Hopper capacity with tunnels | 7.1 m ³ | 250 ft ³ |
| Fuel tank | 278 L | 73 gal |
| DEF (Urea) capacity - Cat 4.4 engine only | 19.1 L | 5 gal |
| Engine oil - Cat 4.4 engine | 13.5 L | 3.6 gal |
| Cat 7.1 engine | 15.5 L | 4.1 gal |
| Cooling system - Cat C4.4 engine | 31 L | 8 gal |
| Cat 7.1 engine | 37 L | 9.8 gal |
| Hydraulic tank | 219 L | 58 gal |

AP655F MOBIL-TRAC SPECIFICATIONS



Dimensions

| | | |
|--|---------|---------|
| 1 Operating length | | |
| with SE50 V | 6829 mm | 22' 5" |
| with SE50 VT | 6829 mm | 22' 5" |
| with SE60 V | 6829 mm | 22' 5" |
| with SE60 V XW, SE60 VT XW | 7034 mm | 23' 1" |
| 2 Operating width | 3306 mm | 10' 10" |
| 3 Operating height | | |
| with canopy (top of exhaust) | 3889 mm | 12' 9" |
| without canopy | 3777 mm | 12' 4" |
| 4 Operating deck height | 1792 mm | 5' 10" |
| 5 Transport length | | |
| with SE50 V, SE50 VT | 6720 mm | 22' 1" |
| with SE60 V XW, SE60 VT XW | 6910 mm | 22' 8" |
| 6 Transport width | | |
| with SE50 w/endgates | 2762 mm | 9' 1" |
| with SE50 w/endgates folded | 2550 mm | 8' 4" |
| with SE60 w/endgates | 3211 mm | 10' 6" |
| with SE60 w/endgates folded | 3000 mm | 9' 10" |
| 7 Transport height - canopy retracted | 3056 mm | 10' |
| Transport height - without canopy | 2929 mm | 9' 7" |
| 8 Truck entry height - manual apron | 529 mm | 21" |
| hydraulic apron | 521 mm | 21" |
| 9 Truck entry width | 3194 mm | 10' 6" |
| 10 Hopper length with push-roller | | |
| Minimum | 2215 mm | 7' 3" |
| Maximum | 2414 mm | 7' 11" |

Powertrain

| | | | |
|--|------------------|------------|------------|
| Cat C4.4 ACERT™ Engine* | 129 kW | 175 hp (M) | 173 hp (I) |
| * Engine meets U.S. EPA Tier 4 Final/E.U. Stage IV emission standards. | | | |
| Cat C7.1 Engine** | 151 kW | 205 hp (M) | 202 hp (I) |
| ** Engine meets emissions equivalent to U.S. EPA Tier 3, EU Stage IIIA, and China Stage III. | | | |
| Number of Cylinders - C4.4 | 4 | | |
| Number of Cylinders - C7.1 | 6 | | |
| Engine speed - maximum/minimum | 2200/1000 rpm | | |
| Eco-mode | 1650 rpm | | |
| Screed heating - standard width (Quiet) | 1300 rpm | | |
| Screed heating - w/extensions (Quick) | 1300 to 2200 rpm | | |
| Speed ranges | | | |
| Paving | 64 mpm | 210 fpm | |
| With Tamper-bar screed | 25 mpm | 82 fpm | |
| Travel | 14.5 km/hr | 9 mph | |

Weights

| | | |
|-------------------------------|-----------|-----------|
| AP655F Paver only - shipping | 15 297 kg | 33,730 lb |
| AP655F Paver only - operating | 15 584 kg | 34,356 lb |

Operating weight includes full fuel tank and 75 kg (165 lb) operator.

| | | |
|---------------------------|---------|----------|
| SE50 V Screed only | 3284 kg | 7,239 lb |
| SE50 VT Screed only | 3490 kg | 7,695 lb |
| SE60 V Screed only | 3400 kg | 7,495 lb |
| SE60 V XW Screed*** only | 4070 kg | 8,973 lb |
| SE60 VT XW Screed*** only | 4532 kg | 9,991 lb |

**** Not available on the AP655F for the U.S. market.*

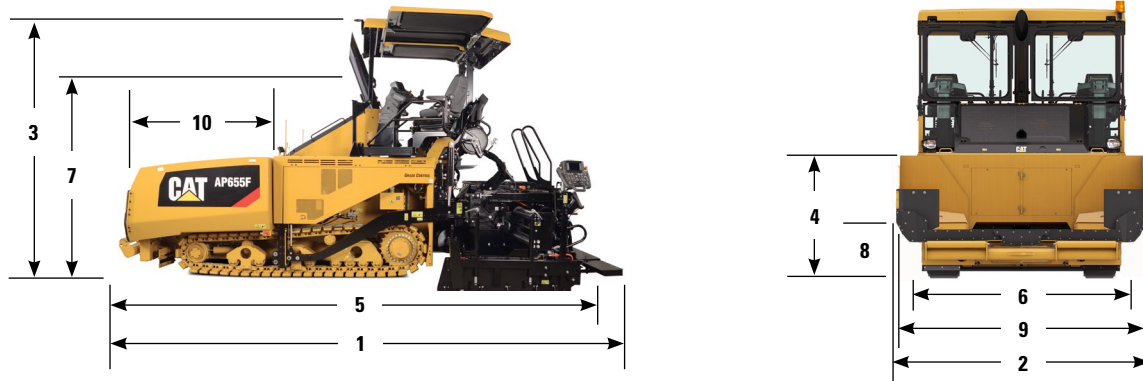
Paving Specifications

| | | |
|------------------------------------|--------------|-----------------|
| Standard paving range | | |
| with SE50 V, SE50 VT | 2.55 - 5.0 m | 8' 4"-16' 4" |
| with SE60 V, SE60 V XW, SE60 VT XW | 3.0 - 6.0 m | 9' 10" - 19' 6" |
| Maximum paving width | | |
| with SE50 V | 6.5 m | 21' 4" |
| with SE50 VT | 8.0 m | 26' 4" |
| with SE60 V | 7.65 m | 25' |
| with SE60 V XW, SE60 VT XW | 10.0 m | 33' |
| Maximum paving depth | 305 mm | 12" |

Capacities

| | | |
|---|--------------------|---------------------|
| Maximum throughput capacity | 1300 tonnes/h | 1,433 tph |
| Hopper capacity with tunnels | 7.1 m ³ | 250 ft ³ |
| Fuel tank | 278 L | 73 gal |
| DEF (Urea) capacity - Cat 4.4 engine only | 19.1 L | 5 gal |
| Engine oil - Cat 4.4 engine | 13.5 L | 3.6 gal |
| Cat 7.1 engine | 15.5 L | 4.1 gal |
| Cooling system - Cat C4.4 engine | 31 L | 8 gal |
| Cat 7.1 engine | 37 L | 9.8 gal |
| Hydraulic tank | 219 L | 58 gal |

AP655F STEEL TRACK SPECIFICATIONS



Dimensions

| | | |
|--|---------|---------|
| 1 Operating length | | |
| with SE50 V | 6829 mm | 22' 5" |
| with SE50 VT | 6829 mm | 22' 5" |
| with SE60 V | 6829 mm | 22' 5" |
| with SE60 V XW, SE60 VT XW | 7034 mm | 23' 1" |
| 2 Operating width | 3306 mm | 10' 10" |
| 3 Operating height | | |
| with canopy (top of exhaust) | 3873 mm | 12' 8" |
| without canopy | 3761 mm | 12' 1" |
| 4 Operating deck height | 1776 mm | 5' 10" |
| 5 Transport length | | |
| with SE50 V, SE50 VT | 6720 mm | 22' 1" |
| with SE60 V XW, SE60 VT XW | 6910 mm | 22' 8" |
| 6 Transport width | | |
| with SE50 w/endgates | 2762 mm | 9' 1" |
| with SE50 w/endgates folded | 2550 mm | 8' 4" |
| with SE60 w/endgates | 3211 mm | 10' 6" |
| with SE60 w/endgates folded | 3000 mm | 9' 10" |
| 7 Transport height - canopy retracted | 3040 mm | 10' |
| Transport height - without canopy | 2914 mm | 9' 6" |
| 8 Truck entry height - manual apron | 509 mm | 20" |
| hydraulic apron | 498 mm | 19" |
| 9 Truck entry width | 3194 mm | 10' 6" |
| 10 Hopper length with push-roller | | |
| Minimum | 2215 mm | 7' 3" |
| Maximum | 2414 mm | 7' 11" |

Powertrain

| | | | |
|--|------------------|------------|------------|
| Cat C4.4 ACERT™ Engine* | 129 kW | 175 hp (M) | 173 hp (I) |
| * Engine meets U.S. EPA Tier 4 Final/E.U. Stage IV emission standards. | | | |
| Cat C7.1 Engine** | 151 kW | 205 hp (M) | 202 hp (I) |
| ** Engine meets emissions equivalent to U.S. EPA Tier 3, EU Stage IIIA, and China Stage III. | | | |
| Number of Cylinders - C4.4 | 4 | | |
| Number of Cylinders - C7.1 | 6 | | |
| Engine speed - maximum/minimum | 2200/1000 rpm | | |
| Eco-mode | 1650 rpm | | |
| Screed heating - standard width (Quiet) | 1300 rpm | | |
| Screed heating - w/extensions (Quick) | 1300 to 2200 rpm | | |
| Speed ranges | | | |
| Paving | 49 mpm | 160 fpm | |
| With Tamper-bar screed | 25 mpm | 82 fpm | |
| Travel | 6.5 km/hr | 4 mph | |

Weights

| | | |
|--|-----------|-----------|
| AP655F Paver only - shipping | 15 297 kg | 33,730 lb |
| AP655F Paver only - operating | 16 043 kg | 35,368 lb |
| <i>Operating weight includes full fuel tank and 75 kg (165 lb) operator.</i> | | |
| SE50 V Screed only | 3284 kg | 7,239 lb |
| SE50 VT Screed only | 3490 kg | 7,695 lb |
| SE60 V Screed only | 3400 kg | 7,495 lb |
| SE60 V XW Screed*** only | 4070 kg | 8,973 lb |
| SE60 VT XW Screed*** only | 4532 kg | 9,991 lb |

*** Not available on the AP655F for the U.S. market.

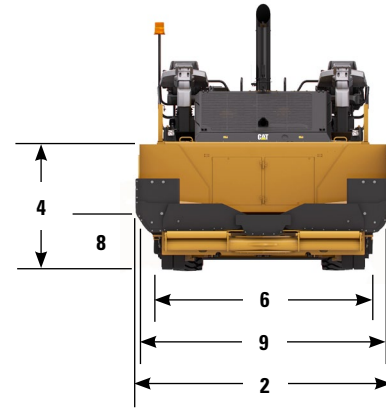
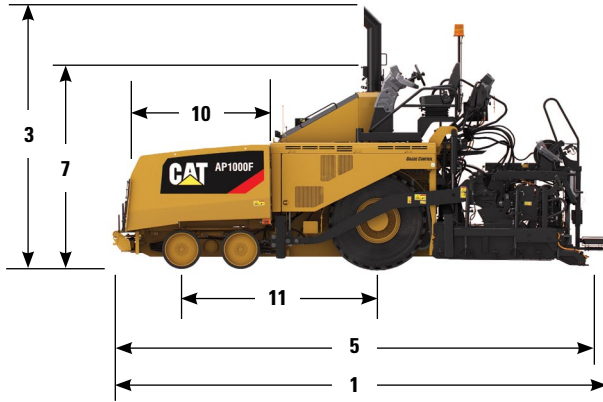
Paving Specifications

| | | |
|------------------------------------|--------------|-----------------|
| Standard paving range | | |
| with SE50 V, VT | 2.55 - 5.0 m | 8' 4"-16' 4" |
| with SE60 V, SE60 V XW, SE60 VT XW | 3.0 - 6.0 m | 9' 10" - 19' 6" |
| Maximum paving width | | |
| with SE50 V | 6.5 m | 21' 4" |
| with SE50 VT | 8.0 m | 26' 4" |
| with SE60 V | 7.65 m | 25' |
| with SE60 V XW, SE60 VT XW | 10.0 m | 33' |
| Maximum paving depth | 305 mm | 12" |

Capacities

| | | |
|---|---------------|-----------|
| Maximum throughput capacity | 1300 tonnes/h | 1,433 tph |
| Hopper capacity with tunnels | 7.1 m³ | 250 ft³ |
| Fuel tank | 278 L | 73 gal |
| DEF (Urea) capacity - Cat 4.4 engine only | 19.1 L | 5 gal |
| Engine oil - Cat 4.4 engine | 13.5 L | 3.6 gal |
| Cat 7.1 engine | 15.5 L | 4.1 gal |
| Cooling system - Cat C4.4 engine | 31 L | 8 gal |
| Cat 7.1 engine | 37 L | 9.8 gal |
| Hydraulic tank | 219 L | 58 gal |

AP1000F SPECIFICATIONS



Dimensions

| | | |
|--|---------|---------|
| 1 Operating length with SE60 V | 6860 mm | 22' 6" |
| with SE60 V XW, SE60 VT XW | 7050 mm | 23' 2" |
| without screed and canopy | 5563 mm | 18' 3" |
| 2 Operating width - standard entry hopper | 3350 mm | 11' 0" |
| Operating width - low entry hopper | 3604 mm | 11' 10" |
| 3 Operating height with canopy, (top of beacon) | 4000 mm | 13' 1" |
| Operating height without canopy | 3715 mm | 12' 2" |
| 4 Operating deck height | 1791 mm | 5' 11" |
| 5 Transport length with SE60 V | 6720 mm | 22' 1" |
| Transport length with SE60 V XW, SE60 VT XW | 6910 mm | 22' 8" |
| 6 Transport width with endgates | 3211 mm | 10' 6" |
| Transport width - endgates folded | 3000 mm | 9' 10" |
| 7 Transport height - canopy retracted | 3100 mm | 10' 2" |
| Transport height - without canopy | 3000 mm | 9' 10" |
| 8 Truck entry height with standard entry hopper | | |
| Manual apron | 572 mm | 22.5" |
| Hydraulic apron | 616 mm | 24" |
| Truck entry height with low entry hopper | | |
| Manual apron | 529 mm | 21" |
| Hydraulic apron | 587 mm | 23" |
| 9 Truck entry width - standard entry hopper | 3224 mm | 10' 7" |
| Truck entry width - low entry hopper | 3490 mm | 11' 6" |
| 10 Hopper length with push-roller | | |
| Minimum | 2215 mm | 7' 3" |
| Maximum | 2414 mm | 7' 11" |
| 11 Wheel base | 2776 mm | 9' 1" |

Powertrain

| | | |
|--|------------------|---------|
| Cat C7.1 ACERT Engine | 168 kW | 225 hp |
| Engine meets U.S. EPA Tier 4 Final/E.U. Stage IV emission standards. | | |
| Number of cylinders | 6 | |
| Engine speed - maximum/minimum | 2200/1000 rpm | |
| Eco-mode | 1650 rpm | |
| Screed heating - standard width (Quiet) | 1300 rpm | |
| Screed heating - w/extensions (Quick) | 1300 to 2200 rpm | |
| Speeds Ranges | | |
| Paving w/vibratory screed | 76 mpm | 250 fpm |
| Paving w/tamper-bar screed | 25 mpm | 82 fpm |
| Travel | 19.9 km/hr | 12 mph |
| Inside Turning Radius | 0.5 m | 1.5 ft |

Weights

| | | |
|----------------------------------|-----------|-----------|
| AP1000F (Paver only - shipping) | 15 526 kg | 34,228 lb |
| AP1000F (Paver only - operating) | 15 794 kg | 34,820 lb |

Operating weight includes full fuel tank and 75 kg (165 lb) operator.

| | | |
|------------------------|---------|----------|
| SE60 V Screed only | 3400 kg | 7,495 lb |
| SE60 V XW Screed only | 4070 kg | 8,973 lb |
| SE60 VT XW Screed only | 4532 kg | 9,991 lb |

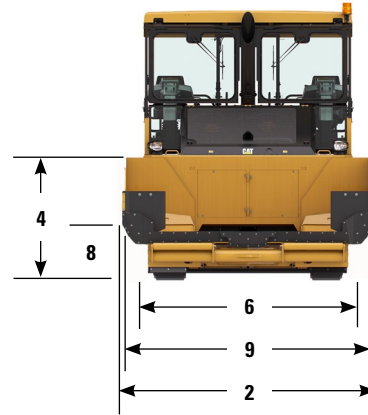
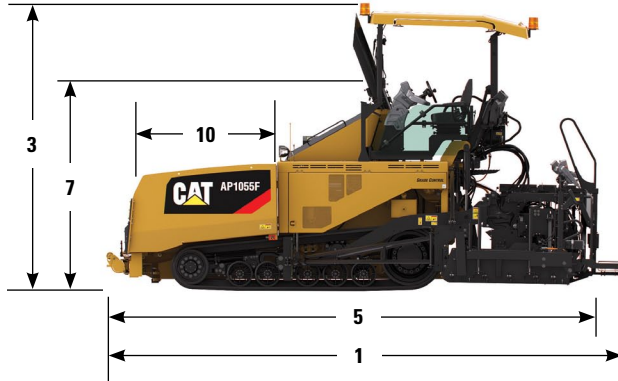
Paving Specifications

| | | |
|--------------------------------|-------------|-----------------|
| Standard paving range | 3.0 - 6.0 m | 9' 10" - 19' 6" |
| Max. paving width w/extensions | 7.65 m | 25' |
| Maximum paving depth | 305 mm | 12" |

Capacities

| | | |
|------------------------------|--------------------|---------------------|
| Maximum throughput capacity | 1602 tonnes/h | 1,766 tph |
| Hopper capacity with tunnels | | |
| Standard entry hopper | 7.6 m ³ | 267 ft ³ |
| Low entry hopper | 8.1 m ³ | 286 ft ³ |
| Fuel tank | 348 L | 92 gal |
| DEF (Urea) | 19.1 L | 5 gal |
| Cooling system | 45.4 L | 12 gal |
| Engine oil | 16 L | 4.2 gal |
| Hydraulic tank | 219 L | 58 gal |

AP1055F SPECIFICATIONS



Dimensions

| | | |
|--|---------|---------|
| 1 Operating length | | |
| with SE60 V | 6840 mm | 22' 5" |
| with SE60 V XW, SE60 VT XW | 7034 mm | 23' 1" |
| without screed | 5609 mm | 18' 5" |
| 2 Operating width - standard entry hopper | 3336 mm | 10' 11" |
| Operating width - low entry hopper | 3604 mm | 11' 10" |
| 3 Operating height with canopy, (top of beacon) | 3996 mm | 13' 1" |
| Operating height without canopy | 3715 mm | 12' 2" |
| 4 Operating deck height | 1791 mm | 5' 11" |
| 5 Transport length with SE60 V | 6710 mm | 22' |
| Transport length with SE60 V XW, SE60 VT XW | 6900 mm | 22' 8" |
| 6 Transport width - with endgates | 3211 mm | 10' 6" |
| Transport width - endgates folded | 3000 mm | 9' 10" |
| 7 Transport height - canopy retracted | 3056 mm | 10' |
| Transport height - without canopy | 2929 mm | 9' 5" |
| 8 Truck entry height with standard entry hopper | | |
| Manual apron | 570 mm | 22.5" |
| Hydraulic apron | 616 mm | 24" |
| Truck entry height with low entry hopper | | |
| Manual apron | 521 mm | 20.5" |
| Hydraulic apron | 587 mm | 23" |
| 9 Truck entry width - standard entry hopper | 3224 mm | 10' 7" |
| Truck entry width - low entry hopper | 3490 mm | 11' 6" |
| 10 Hopper length with push-roller | | |
| Minimum | 2215 mm | 7' 3" |
| Maximum | 2414 mm | 7' 11" |

Powertrain

| | | |
|---|------------------|---------|
| Cat C7.1 ACERT Engine* | 168 kW | 225 hp |
| * Engine meets U.S. EPA Tier 4 Final/EU Stage IV emission standards. | | |
| Cat C7.1 Engine** | 186 kW | 249 hp |
| ** Engine meets emissions equivalent to U.S. EPA Tier 3 and EU Stage IIIA requirements. | | |
| Number of cylinders | 6 | |
| Engine speed - maximum/minimum | 2200/1100 rpm | |
| Eco-mode | 1650 rpm | |
| Screed heating - standard width (Quiet) | 1300 rpm | |
| Screed heating - w/extensions (Quick) | 1300 to 2200 rpm | |
| Speed Ranges | | |
| Paving w/vibratory screed | 64 mpm | 210 fpm |
| Paving w/tamper-bar screed | 25 mpm | 82 fpm |
| Travel | 14.5 km/hr | 9 mph |

Weights

Australia, U.S. and Canada

| | | |
|----------------------------------|-----------|-----------|
| AP1055F (Paver only - shipping) | 16 691 kg | 36,804 lb |
| AP1055F (Paver only - operating) | 17 031 kg | 37,553 lb |

China, Middle-East, Russia, South America

| | | |
|----------------------------------|-----------|-----------|
| AP1055F (Paver only - shipping) | 17 015 kg | 37,518 lb |
| AP1055F (Paver only - operating) | 17 355 kg | 38,261 lb |

Operating weight includes full fuel tank and 75 kg (165 lb) operator.

| | | |
|------------------------|---------|----------|
| SE60 V Screed only | 3400 kg | 7,495 lb |
| SE60 V XW Screed only | 4070 kg | 8,973 lb |
| SE60 VT XW Screed only | 4532 kg | 9,991 lb |

Paving Specifications

| | | |
|---|-------------|-----------------|
| Standard paving range | 3.0 - 6.0 m | 9' 10" - 19' 6" |
| SE60 V max. paving width w/extensions | 7.65 m | 25' |
| SE60 V XW max. paving width w/extensions | 10.0 m | 33' |
| SE60 VT XW max. paving width w/extensions | 10.0 m | 33' |
| Maximum paving depth | 305 mm | 12" |

Capacities

| | | |
|------------------------------|--------------------|---------------------|
| Maximum throughput capacity | 1602 tonnes/h | 1,766 tph |
| Hopper capacity with tunnels | | |
| Standard entry hopper | 7.6 m ³ | 267 ft ³ |
| Low entry hopper | 8.1 m ³ | 286 ft ³ |
| Fuel tank | 348 L | 92 gal |
| DEF (Urea) | 19.1 L | 5 gal |
| Cooling system | 45.4 L | 12 gal |
| Engine oil | 16 L | 4.2 gal |
| Hydraulic tank | 219 L | 58 gal |

CAT SCREEDS

SCREED HEAT TECHNOLOGY

- Exclusive zone monitoring allows heating to continue in the event of a temperature sensor failure
- Exclusive screed heating system monitors elements for failure conditions, eliminates unnecessary replacement
- Warning/failure indicators delivered through the LCD displays
- Heated end gate option improves material flow and mat texture

INCREASED DURABILITY, LOWER COSTS

- Million cycle keypad switches ensure reliability
- Exclusive screed plate material provides long-term durability
- Oil-bath vibratory pods deliver exceptional longevity
- Larger extender support tube assembly increases rigidity for better mat quality

EASY ADJUSTMENTS

- Feeder system ratio adjustment capability from the screed, *previously adjusted from the tractor only*
- Standard power adjustment for extender height, slope and crown, allows for on-the-go adjustments at standard and maximum paving widths
- Exclusive extender angle of attack adjustments (XW-Series)
- Trailing edge screed plate adjusters help maintain even wear across the entire length for optimal life
- Center pivot pin, allows for on-the-go two-bolt adjustment to the extender for improved texture control
- Exclusive tow-point design optimizes screed flotation

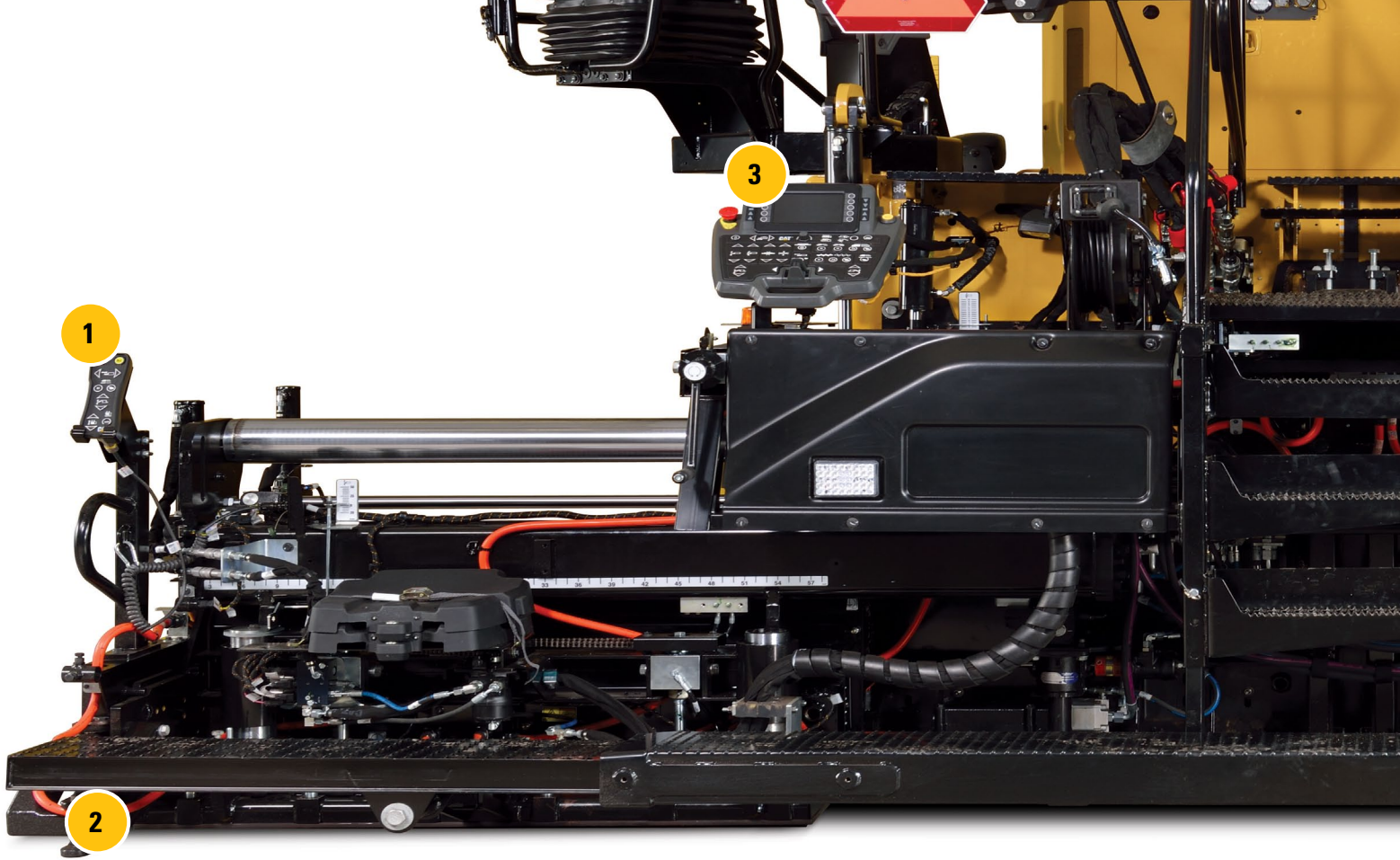
BETTER EFFICIENCY

- Heating elements slide-out for easy replacement
- Machined screed frames simplify screed plate replacement and leveling
- Innovative hooking system utilizes extender slope to attach wide-width paving packages; eliminates other lifting device needs

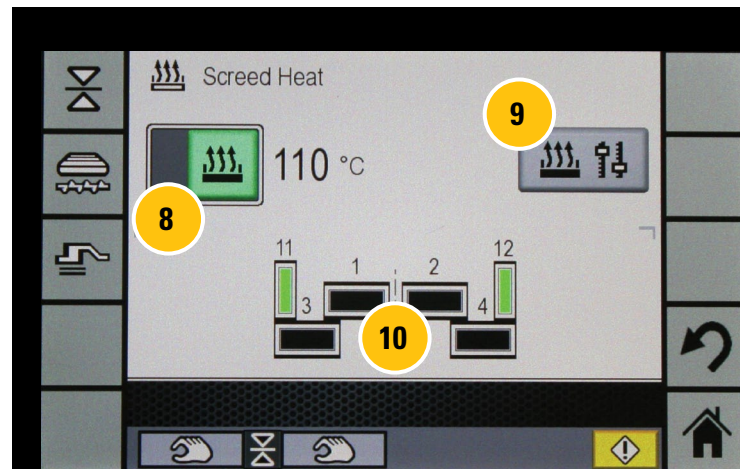
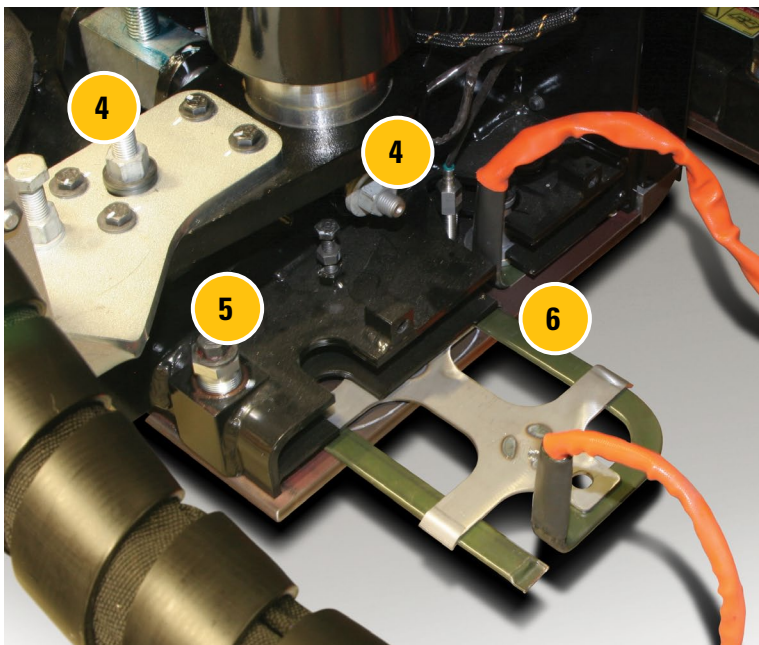


We were on our way to reaching density targets even before the roller went to work!

- Cat Paving Contractor



- 1. Remote Pendant
- 2. Folding End Gate (Option)
- 3. Integrated Cat Grade Control
- 4. On-the-Go Angle of Attack Adjuster (XW-Series)
- 5. Trailing Edge Screed Plate Adjusters
- 6. Quick-Change Heating Elements
- 7. Free-Floating Tow-Point
- 8. Generator Activation
- 9. Temperature Selection
- 10. Temperature Zone Monitoring

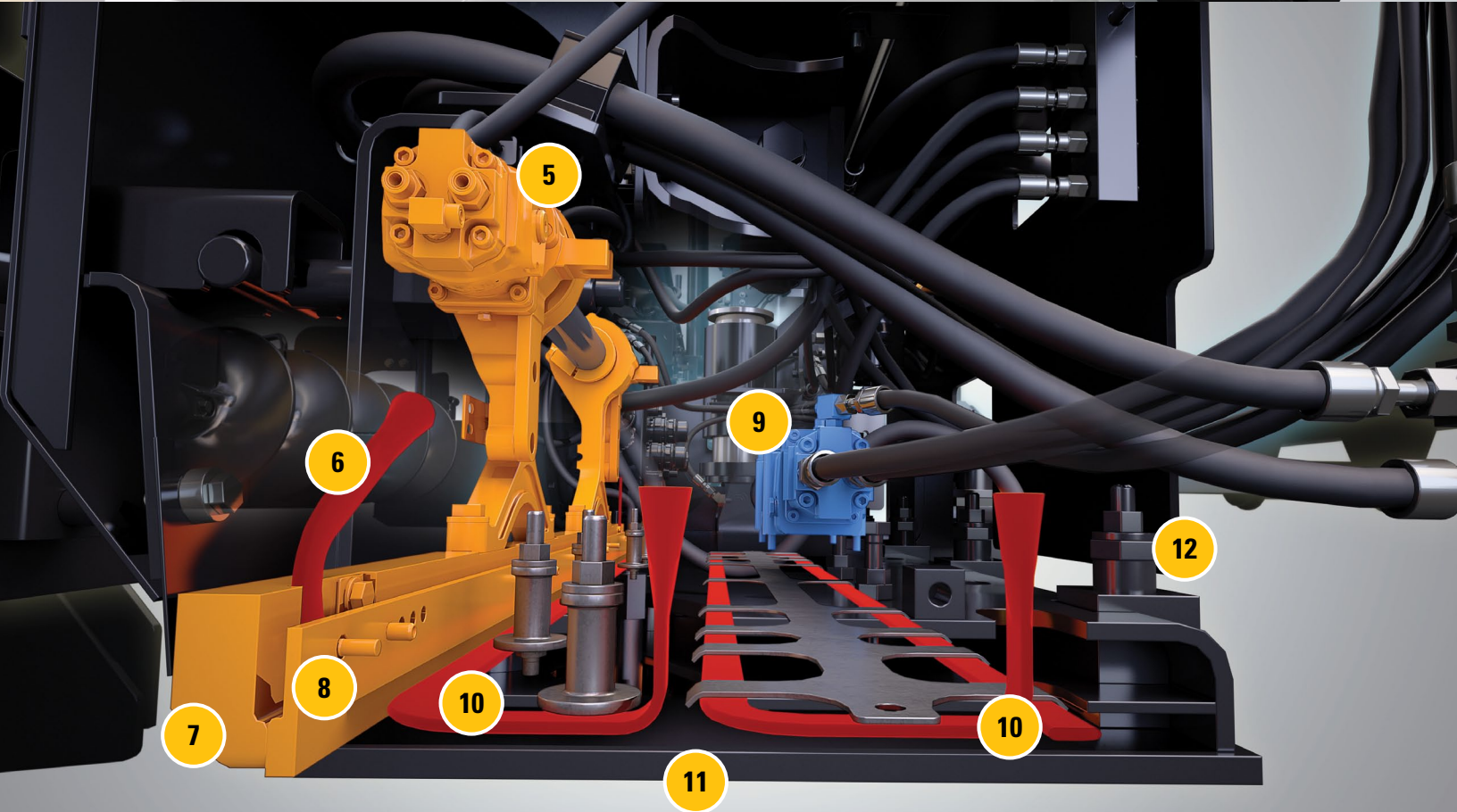




TAMPER BARS AND VIBRATORY SCREED PLATES

MAXIMIZE DENSITY BEHIND THE SCREED

- | | |
|-------------------------------|---|
| 1. Spring-Loaded End Gates | 7. Tamper Bar |
| 2. Heated End Gate (optional) | 8. Replaceable Wear Plate (Bolt-on) |
| 3. Screed Controls | 9. Vibratory Drive (Oil-Bath) |
| 4. Standard Power Crown | 10. Quick-Change Heating Element |
| 5. Tamper Bar Eccentric Drive | 11. Single Main Screed Plate |
| 6. Tamper Bar Heating Element | 12. Threaded-Bolt Screed Plate Adjuster |





TOP FEATURES

1. Cat Grade Control Indicators
2. Soft-Key Adjustments
3. Conveyor Ratio Control Adjustment (Touch-screen)
4. Lockout Key
5. 2-Speed Extender Control
6. Proportional Extender Switch

IMPROVED CONTROL BETTER DISPLAYS

SWITCHES, PENDENTS, TOUCHSCREENS
BENEFIT SCREED OPERATORS

The screed extenders offer proportional control and two speed ranges for excellent performance.

SCREED CONSOLES

- Switches are sealed and serviceable; meets IP67 common water submergence rating
- 2-speed, proportional extender control provides efficient performance when changing paving widths
- Configurable lockout feature prevents unintentional adjustment
- Additional material feed controls include pause and reverse for both conveyors and augers; provides greater control when utilizing the four sensor feeder system

LCD DISPLAY

- Multiple language options
- Colorful graphics for easy viewing day or night
- Touch-screen access to preferred settings and adjustments
- Store preferences for multiple operators

Innovative Functions

- Integrated Cat Grade Control
- Ratio control of conveyors now available from the screed consoles, previously only available from the tractor
Note: Mix height adjustment is available from the tractor, previously only available from the screed
- Easy access to service code information
- Activate screed heat, auxiliary power, fumes ventilation, machine washdown, etc.
- Monitor heating zones

REMOTE PENDENT CONTROL

- Extender in/out
- Feeder system pause or manual override
- Tow-point height raise/lower
- Lockout feature prevents unintentional adjustment



SE50 V SCREED

VIBRATORY SCREED



APPLICATIONS

- Highways
- Overlays
- Parking lots
- Rural roads
- Streets
- Variable width paving

SCREED OVERVIEW

The SE50 V vibratory screed utilizes rear-mounted extenders and fast heating screed plates, making it a perfect fit for parking areas, business developments and other applications that require variable width paving. The low profile design enables good visibility for efficient performance.

HIGHLIGHTS

- Standard extendable paving range of 2.55 m - 5.0 m (8' 4" - 16' 4")
- 15 minute heat up time at standard width
- Cat Grade Control integrated into each screed and tractor console
- Ratio adjustment capability of the conveyors from the screed
- Proportional extender control with two speed ranges
- Quick change heating elements
- Remote pendant located on the extenders
- Threaded bolt screed plate adjusters simplifies leveling

SPECIFICATIONS

| | | |
|------------------------------------|---------------------|----------------|
| Weight | 3284 kg | 7,239 lb |
| Standard paving range | 2.55 - 5.0 m | 8' 4" - 16' 4" |
| Maximum paving width | 6.5 m | 21' 4" |
| Maximum paving depth | 305 mm | 12" |
| Extender height range | -20 mm to +50 mm | |
| Crown range | -4% to +10% (total) | |
| Extender slope range | -3% to +10% | |
| Screed plate width (front to back) | 407 mm | 16" |
| Screed plate vibration range | 0 - 3000 vpm | |

SE50 VT SCREED

TAMPER BAR SCREED



APPLICATIONS

- Roller Compacted Concrete
- Airport projects
- Highways
- Interstates
- Mainline applications
- Overlays
- Rural roads
- Urban streets

SCREED OVERVIEW

The SE50 VT is equipped with tamper-bars and vibration that can be easily adjusted to help achieve quality results. The rigid frame design provides excellent stability making it a perfect fit for airports, interstates, highways and other medium to high-production job sites.

HIGHLIGHTS

- Standard extendable paving range of 2.55 m - 5.0 m (8' 4" - 16' 4")
- 15 minute heat up time at standard width
- Cat Grade Control integrated into each screed and tractor console
- Proportional extender control with two speed ranges
- Quick change heating elements
- Remote pendent located on the extenders
- Threaded bolt screed plate adjusters simplifies leveling

SPECIFICATIONS

| | | |
|------------------------------------|-----------------------|---------------------|
| Weight | 3490 kg | 7,695 lb |
| Standard paving range | 2.55 - 5.0 m | 8' 4" - 16' 4" |
| Maximum paving width | 8.0 m | 26' 4" |
| Maximum paving depth | 305 mm | 12" |
| Extender height range | -20 mm to +50 mm | |
| Crown range | -2% to +5% (per side) | |
| Extender slope range | -3% to +2% | |
| Screed plate width (front to back) | 324 mm | 12.75" |
| Screed plate vibration range | 0 - 3000 rpm | |
| Tamper-bar speed range | 700 - 1800 rpm | |
| Tamper-bar stroke (amplitude) | 2, 4, 7 mm | 0.08", 0.16", 0.28" |

SE60 V SCREED

VIBRATORY SCREED



APPLICATIONS

- Airport projects
- Highways
- Interstates
- Mainline applications
- Overlays
- Rural roads
- Urban streets

SCREED OVERVIEW

The SE60 V vibratory screed is equipped with rear-mounted extenders and fast heating screed plates, making it a perfect fit for parking areas, business developments and other applications that require variable width paving. The low profile design enables good visibility for efficient performance.

HIGHLIGHTS

- Standard extendable paving range of 3.0 m - 6.0 m (9' 10" - 19' 6") with
- 15 minute heat up time at standard width
- Cat Grade Control integrated into each screed and tractor console
- Proportional extender control with two speed ranges
- Quick change heating elements
- Remote pendent located on the extenders
- Threaded bolt screed plate adjusters simplifies leveling

SPECIFICATIONS

| | | |
|------------------------------------|---------------------|-----------------|
| Weight | 3400 kg | 7,495 lb |
| Standard paving range | 3.0 - 6.0 m | 9' 10" - 19' 6" |
| Maximum paving width | 7.65 m | 25' |
| Maximum paving depth | 305 mm | 12" |
| Extender height range | -20 mm to +50 mm | |
| Crown range | -4% to +10% (total) | |
| Extender slope range | -4% to +10% | |
| Screed plate width (front to back) | 407 mm | 16" |
| Screed plate vibration range | 0 - 3000 vpm | |

SE60 V XW SCREED

VIBRATORY SCREED



APPLICATIONS

- Wide-width applications
- Airport projects
- Highways
- Interstates
- Mainline applications
- Overlays
- Rural roads
- Urban streets

SCREED OVERVIEW

The SE60 V XW is equipped with vibratory screed plates and can be easily adjusted to achieve quality results. The rigid frame design provides excellent stability making it a perfect fit for airports, interstates, highways, and other high-production job sites.

HIGHLIGHTS

- Maximum paving width w/extensions is 10.0 m (33')
- Heat-up time in as little as 25 minutes at 10.0 m (33')
- Cat Grade Control integrated into each screed and tractor console
- Proportional extender control with two speed ranges
- Quick change heating elements
- Remote pendent located on the extenders
- Threaded bolt screed plate adjusters simplifies leveling

SPECIFICATIONS

| | | |
|------------------------------------|------------------|-----------------|
| Weight | 4070 kg | 8,973 lb |
| Standard paving range | 3.0 - 6.0 m | 9' 10" - 19' 6" |
| Maximum paving width | 10.0 m | 33' |
| Maximum paving depth | 305 mm | 12" |
| Extender height range | -20 mm to +50 mm | |
| Crown range | -4% to +10% | |
| Extender slope range | -3% to +10% | |
| Screed plate width (front to back) | 407 mm | 16" |
| Screed plate vibration range: | 0 - 3000 rpm | |

SE60 VT XW SCREED

TAMPER-BAR SCREED



APPLICATIONS

- Wide-width applications
- Roller Compacted Concrete
- Airport projects
- Highways
- Interstates
- Mainline paving
- Overlays
- Rural roads
- Urban streets

SCREED OVERVIEW

The SE60 VT XW is equipped with tamper-bars and vibration that can be easily adjusted to help achieve quality results. The rigid frame design provides excellent stability making it a perfect fit for airports, interstates, highways, and other high-production job sites.

HIGHLIGHTS

- Maximum paving width w/extensions 10.0 m (33')
- Heat-up time in as little as 25 minutes at 10.0 m (33')
- Equipped with tamper bars and vibratory screed plates
- Cat Grade Control integrated into each screed and tractor console
- Proportional extender control with two speed ranges
- Quick change heating elements
- Remote pendants located on the extenders
- Threaded bolt screed plate adjusters simplifies leveling

SPECIFICATIONS

| | | |
|------------------------------------|-----------------------|---------------------|
| Weight | 4532 kg | 9,991 lb |
| Standard paving range | 3.0 - 6.0 m | 9' 10" - 19' 6" |
| Maximum paving width | 10.0 m | 33' |
| Maximum paving depth | 305 mm | 12" |
| Extender height range | -20 mm to +50 mm | |
| Crown range | -2% to +5% (per side) | |
| Extender slope range | -3% to +5% | |
| Screed plate width (front to back) | 407 mm | 16" |
| Screed plate vibration range | 0 - 3000 rpm | |
| Tamper-bar speed range | 700 - 1800 rpm | |
| Tamper-bar stroke (amplitude) | 2, 4, 7 mm | 0.08", 0.16", 0.28" |

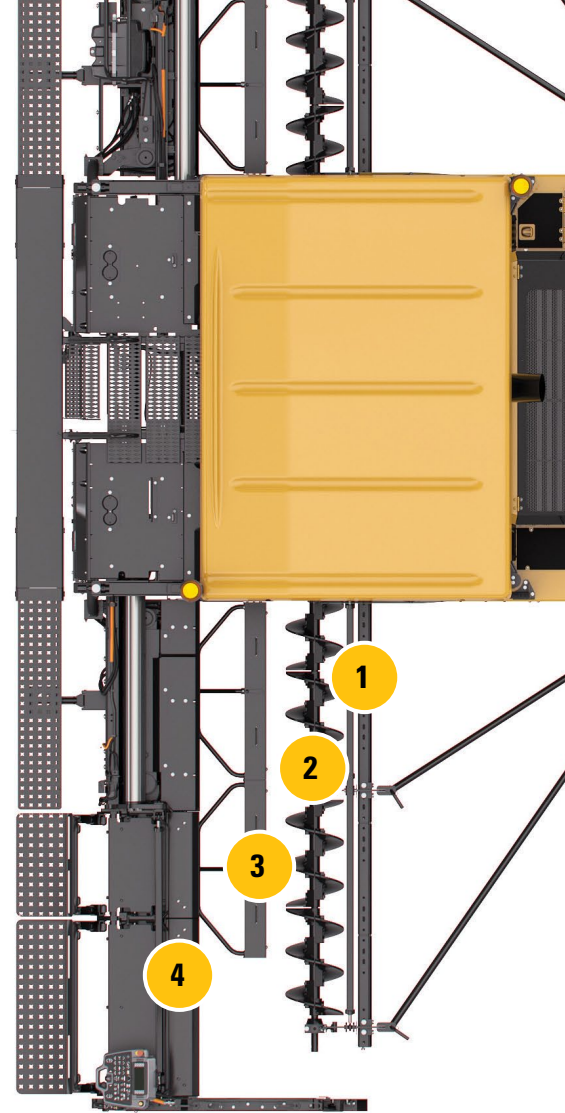
WIDE-WIDTH PAVING PACKAGES

POWER ADJUSTMENT

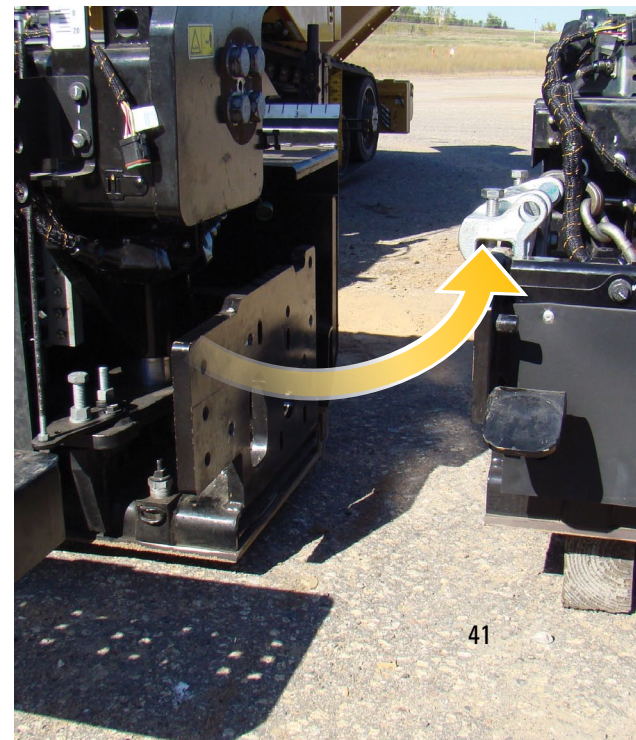
- Exclusive power controls simplify adjustment across the entire 10.0 m (33') paving width for better mat texture and quality
 - Crown Range (-2% to +5%)
 - Slope Range
 - SE50 V (-3% to +10%)
 - SE60 V (-4% to +10%)
 - SE60 V XW (-3% to +10%)
 - SE60 VT XW (-3% to +5%)
 - Extender Height (-20 mm to +50 mm)
- * Note: The SE50 VT utilizes manual control for extender slope.*

EXCLUSIVE FASTENING SYSTEM

- Screed extensions can be attached utilizing power slope on the extender
- Eliminates additional lifting device

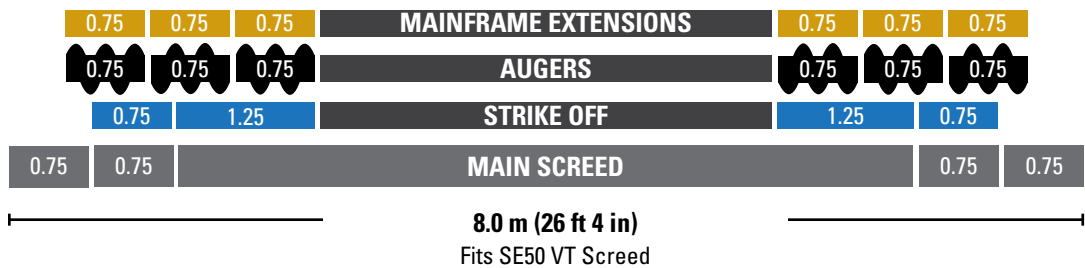
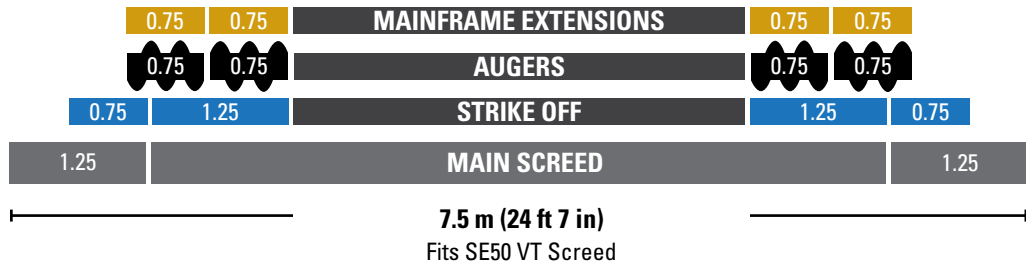
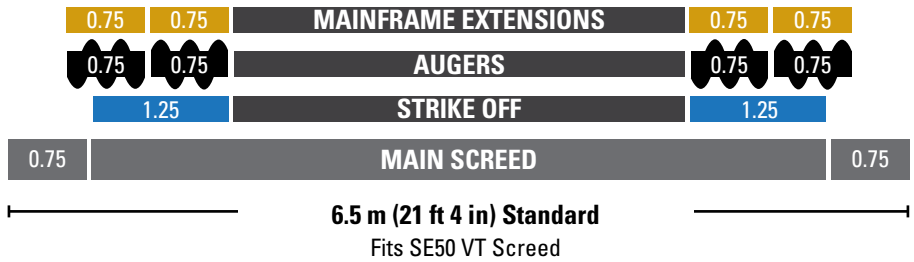
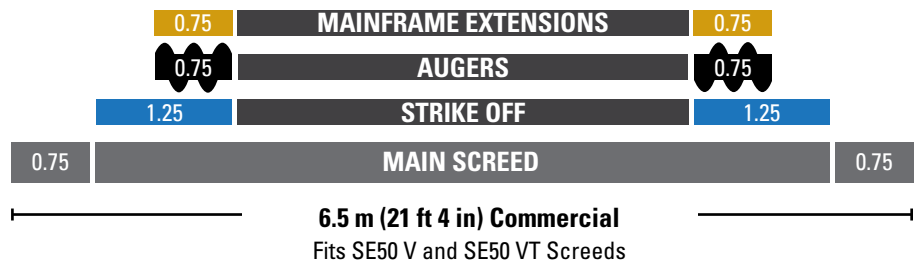
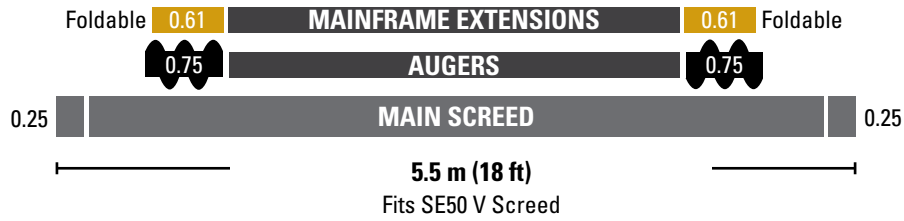


1. Mainframe Extensions
2. Auger Extensions
3. Strike-offs
4. Screed Extensions



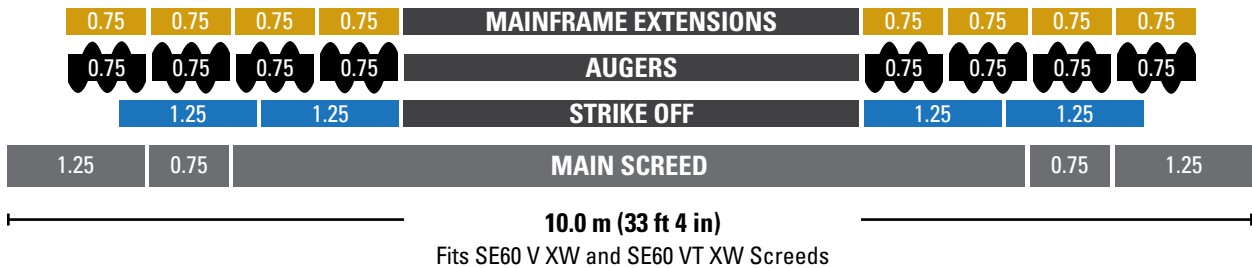
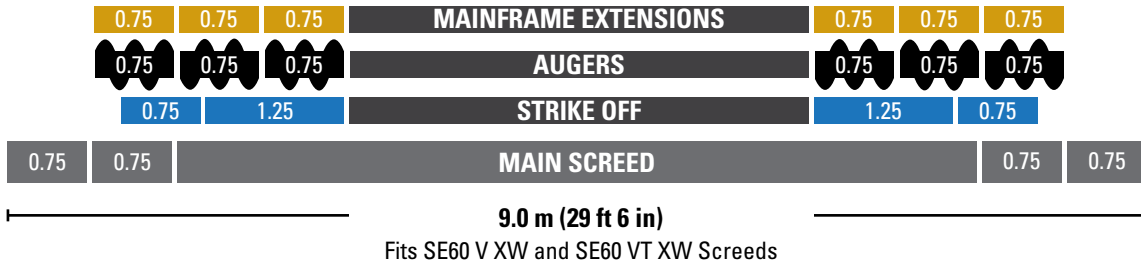
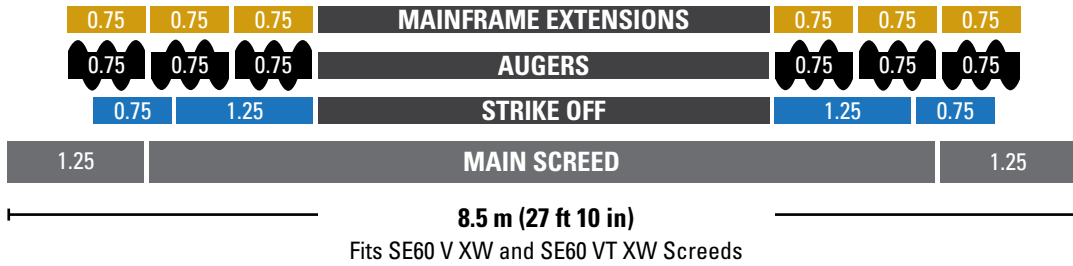
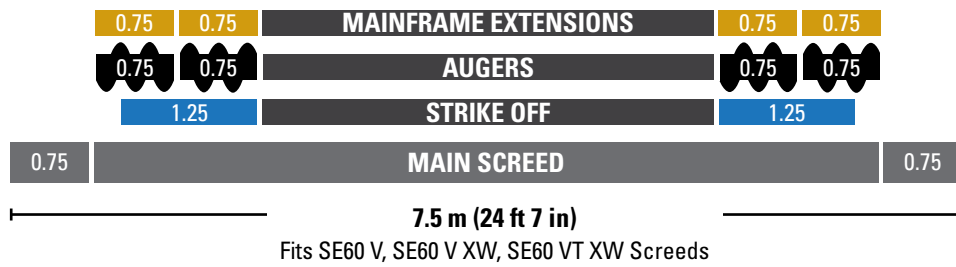
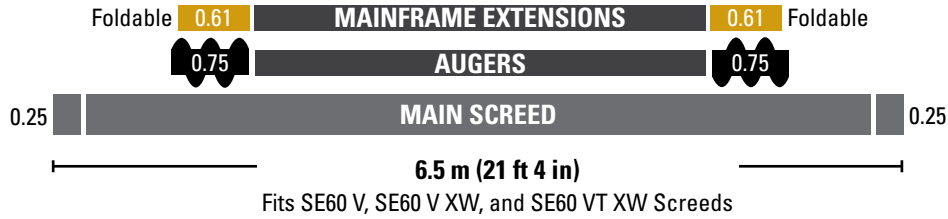
SCREED EXTENSIONS

SE50-SERIES



SCREED EXTENSIONS

SE60-SERIES





CAT GRADE CONTROL

FACTORY INTEGRATION, EASIER TO USE,
BETTER ACCURACY

Cat Grade Control is a factory-integrated guidance system that helps remove irregularities from the surface and control mat thickness for increased production, lower operating costs, and higher profitability.

Cat Dealers offer exceptional knowledge of the grade and slope system, as well as paver and screed operation, providing a single source that meets all your paving needs.

Note: Cat Pavers are able to utilize a variety of other Grade Control systems to support customer preferences.

USER FRIENDLY

- Operate from any of the two tractor or screed consoles
- Utilize split screen mode to monitor each side of the screed
- On-the-go sensor selection in auto-mode when utilizing the averaging beam, no need to stop and re-calibrate
- Text-based LCD displays provide visual reference
 - Available in multiple languages
 - Brightness and contrast controls for various lighting conditions
 - Previous settings automatically stored, no need to re-configure
- LCD Displays integrate machine settings to keep operator better informed of operating conditions while monitoring grade control

PRECISE CONTROL

- More accurate control, maximizes mix utilization, saves money
- True averaging, sonic sensors utilize 5 transducers, 2 readings discarded and 3 averaged
- 10-point Auto-Calibration, eliminates over/under adjustment from single calibration point
- Cross-coupling, slope and elevation maintained with height adjustments
- True 9 m (30') sonic averaging beam, tow point movement is 1/3 of total grade deviation

HIGHLY RELIABLE

- Water-resistant displays
- Factory installed components, consistent routing and location
- Sealed components withstand heat, moisture, and vibration
- Built-in temperature sensors provide better reliability than bail-type sensors
- Lockable enclosure provides vandal protection
- Easy diagnostics, compatible with Cat Electronic Technician

SINGLE SOURCE PROVIDER

- Cat dealers offer complete support of entire system including paver operation, screed setup, application and service training, consulting, and parts support
- No reason to utilize outside suppliers and risk improper setup



- | | |
|---------------------------|---------------------------------|
| 1. Soft Key Adjustment | 6. Machine Condition Slider Bar |
| 2. Bench Key | 7. Target Reference |
| 3. Auto Mode | 8. Measured Reference |
| 4. Left Sensor Selection | 9. Sensor Connectivity |
| 5. Right Sensor Selection | |



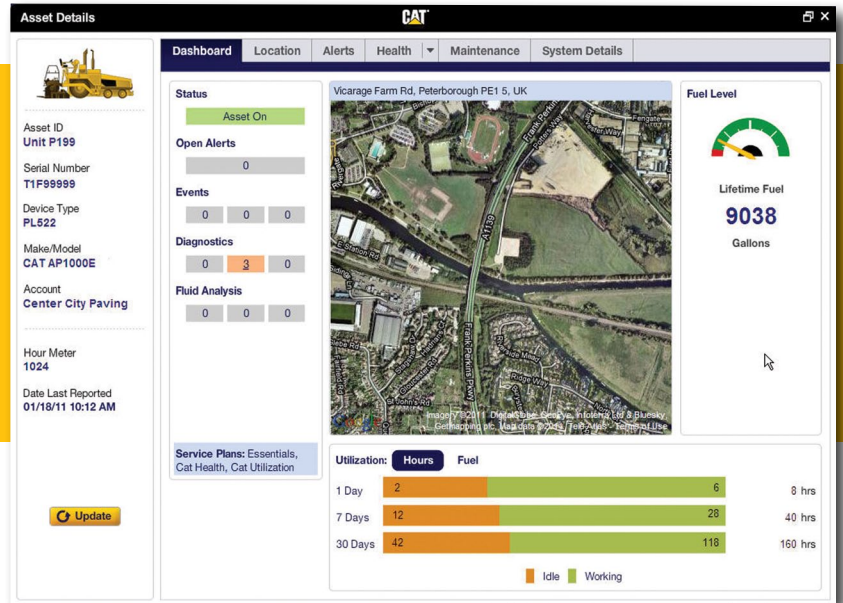
“The integration is a real advantage. It has the controls on each side of the paver and each side of the screed.”

– Cat Paving Contractor

THE ULTIMATE MANAGER

PRODUCT LINK HELPS REDUCE COSTS ACROSS THE FLEET

Product Link gets you accurate, timely and useful information about the location, utilization and condition of your equipment.



TIMELY MAINTENANCE MANAGEMENT

- Easily plan and track maintenance
- Start with “built-in” Caterpillar recommended service intervals and customize to match your fleet and job needs
- See what service has been done and what is due at a glance
- “Click-through” features make it easy to contact your Cat Dealer for service and maintenance

CUSTOMIZED ALERTS & DISPLAYS

- See all alerts on one screen, or any that you specify
- Prioritize information; service alerts, operator-generated errors, etc.
- Send alerts to the people who need them via email or text message

USER-FRIENDLY DASHBOARD

- See individual machine status instantly
- Monitor current fuel level and total usage
- Stay on top of past due alerts
- Idle vs. Work Time graph helps you monitor utilization

ROBUST GEO-FENCING

- Street maps and satellite view simplify set up of site boundaries
- Easily draw complex, accurate boundary shapes
- Provides valuable asset tracking and security monitoring tools

IDLE TIME VS. WORKING TIME

- Instantly relate and compare utilization of all assets on a job site
- Make better informed equipment decisions. Are there enough trucks delivering material or too few?

FAST PARTS ORDERING

- VisionLink™ provides “to do” checklists for common preventive maintenance and service procedures.
- “Built-in” parts lists for common procedures
- Click-through to PartStore™ and automatic loading of parts lists speed and simplify ordering.



SINGLE SUPPLIER

CAT DEALERS OFFER SUPPORT AND TRAINING

CAT DEALER SUPPORT

- Cat Financial Services to meet all of your business needs
- 24 Hour Parts Support, get parts when and where you need them
- Help you develop a custom repair option to meet your unique needs
- Project Consulting, optimize performance of your equipment
- Service Training, increase knowledge of machine components in order to minimize downtime
- Paver Operator Training (P.O.T.), optimize machine performance

“Until now, we didn’t realize what good customer support was.”

– New Cat Paving Customer

Cat dealers offer the highest level of support available. Whether it’s parts support, application support, machine support, or financial support, we offer it. Customer satisfaction continues to be our number one goal!

PAVING AMPLITUDE CALCULATOR

The Paving Amplitude Calculator App is a productivity tool that helps road construction professionals determine the proper amplitude setting for their asphalt compactor to maximize compaction efficiency.

FEATURES

- Metric and U.S. measurements
- Cat roller models are preloaded for easy calculations
- End Result specs for North America
- Method specs for Europe



DOWNLOAD THE APP

STEP 1: Open the App Store on your Apple device.

STEP 2: Search "paving amplitude". (If using an iPad, be sure to change your search to include iPhone apps.)

STEP 3: Locate App and Install.



REQUIREMENTS

Compatible with iPhone, iPod touch, and iPad. Requires iOS 7.0 or later.

PAVING PRODUCTION CALCULATOR

The Paving Production Calculator is a tool for asphalt paving professionals to plan their paving jobs by helping to estimate trucking needs, paving speeds, compaction and other factors.

FEATURES

- Modeled after the popular Production Calculator on CD
- Metric and U.S. measurements
- Save specs for each job for later reference
- Email job summaries from your device



DOWNLOAD THE APP

STEP 1: Open the App Store on your device.

STEP 2: Search for the app in the app store.

iTunes – "Production Calculator" (If using an iPad, be sure to change your search to include iPhone apps.)

Google Play – "Caterpillar Paving Calculator"

STEP 3: Locate App and Install.



REQUIREMENTS

Compatible with iPhone, iPod touch, and iPad. Requires iOS 7.0 or later and Android 2.3.3 and up



PROJECT PLANNER

FREE MOBILE APPS LEND A HAND





TRAINING & SOLUTIONS

PROVEN TO INCREASE PROFITS

Whether it's maintaining your equipment, improving your operator's skills, or updating your crew's techniques, Caterpillar and your Cat dealer are there to support your efforts and improve your bottom line.



Bonuses, penalties, tight specifications and tight deadlines. Today, more than ever, you're taking on more project responsibility—and more risk. At Caterpillar we understand the challenges you face, and we have the solutions to help you minimize the risk and maximize your profitability and success.

Caterpillar Paving Products is dedicated to providing you with quality training and project consulting services. We help each crew member understand what their role is and how it effects the paving operation. Providing this type of understanding not only improves efficiency and quality, it also increases your profit.

TRAINING DESIGNED FOR YOU

- Small classes offer hands-on opportunities
- Consulting solutions ensure success on the job
- Hundreds of years of industry knowledge and experience worldwide—average of 20 years per person
- Technical training to improve your technician's troubleshooting skills and minimize machine down time
- Operations training to improve your operator's skills and increase project quality
- On-demand customized training where you need it, when you need it, to minimize the amount of time your crew is away from the job
- Project Consulting to help your crew achieve consistent paving quality and maximize the bottom line

Having a goal like being the paving industry sales leader is no small challenge, even for the worldwide leader in the manufacture of equipment for the construction industry.

But ever since we sold our first paving equipment in 1986, we have continued to grow. Over the years, our machines have been recognized as dependable and rugged, easy to use and highly productive.

We have introduced innovations that have changed the way the world builds roads, features that our competitors now offer on their machines.

And with each new generation of machines we introduce, more and more customers around the world make the decision to switch to Cat.

For more complete information on Cat products, dealer services, and industry solutions, visit us on the web at www.cat.com.

BUILT FOR IT.™



QEHQ1822-04 (10/15)
© 2015 Caterpillar
All Rights Reserved

Materials and specifications are subject to change without notice.

VisionLink is a trademark of Trimble Navigation Limited, registered in the United States and in other countries.

Featured machines in photography may include additional equipment for special applications.

CAT, CATERPILLAR, BUILT FOR IT, their respective logos, and "Caterpillar Yellow" and the POWER EDGE trade dress, as well as corporate and product identity used herein, are trademarks of Caterpillar and may not be used without permission.

